

PLEASE CHECK WWW.MOLEX.COM FOR LATEST PART INFORMATION

Part Number: [0011182234](#)
Status: **Active**
Overview: [Application Tooling](#)
Description: Mini-Mac Applicator

Documents:

[RoHS Certificate of Compliance \(PDF\)](#)

General

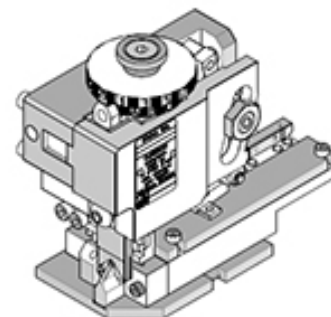
Product Family	Application Tooling
Series	207127
Function	Crimp
Geographic Area	Global
Level of Automation	Automatic, Semi-Automatic
More Detailed Tech Information	applicationtooling@molex.com
Overview	Application Tooling
Product Name	Mini-Mac
Tool Type	Applicator
UPC	800753177406
Warranty Disclaimer	CAUTION: Molex tooling crimp specifications are valid only when used with Molex terminals and tooling manufactured by Molex and sold by Molex or authorized distributors ("Molex Tooling"). When using tooling other than Molex Tooling with Molex specific connector systems listed in our ATS documents, the Molex tooling qualification does not apply and the responsibility for full qualification of the connector system is that of the customer. Molex accepts no liability for connector performance or tooling support where tooling other than Molex Tooling is used or where Molex Tooling is modified.

Material Info

Engineering Number MA60846A

Reference - Drawing Numbers

Application Tooling Documents
 TM-638000029-001, TM-638000029CN-001,
 TM-638000029DE-001, TM-638000029FR-001,
 TM-638000029IT-001, TM-638000029JP-001,
 TM-638000029KR-001, TM-638000029MY-001,
 TM-638000029PL-001, TM-638000029RU-001,
 TM-638000029SK-001, TM-638000029SP-001,
 TM-638000029TH-001, TM-638000029TW-001,
 TM-638000029VN-001, TM-638000100-001,
 TM-638000100SP-001



Series image - Reference only

EU ELV

Not Reviewed

EU RoHS

Not Reviewed

REACH SVHC

Not Reviewed

Halogen-Free

Status

Not Reviewed

For more information, please visit [Contact US](#)

China ROHS

Not Reviewed

ELV

Not Reviewed

RoHS Phthalates

Not Reviewed

Search Parts in this Series

[207127 Series](#)

Use With

Molex TM-2000, [638008300](#), most Industry Standard Presses, or Wire Process Machines