

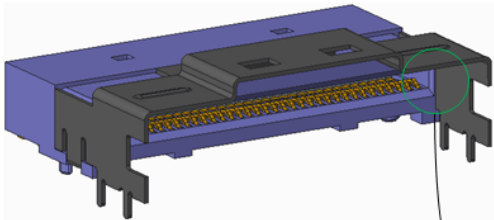
Amphenol ICC-CMIO Product Change Notification

Part Numbers Concerned :	See table below	Originator:	Jim Hsu
Product Description:	SLIMSAS X4 R/A & SLIMSAS X8 R/A RECEPTACLE WITH LATCH	Issue Date:	2018/6/1
		PCN NO:	P-18-00010
Distribution:	To optimize structure of connector.		

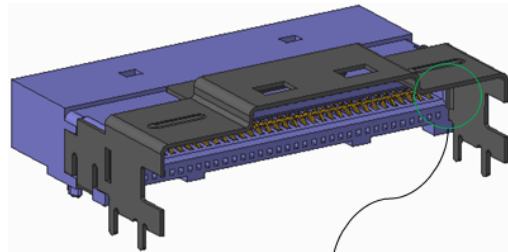
Product Change Notice

Point 1:

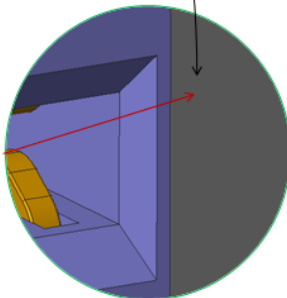
**U10-A074 Series
Original version**



**U10-A474 Series
Advanced version**



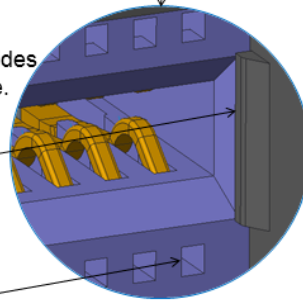
※Original housing was easy to be hit and damaged if operator don't insert plug straightly.



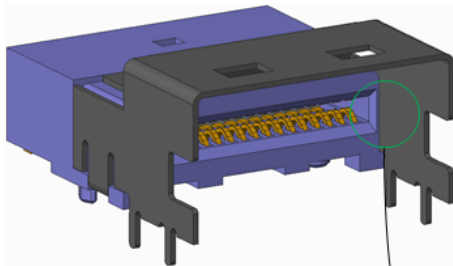
※ Add ribs on latch sides to reduce the tilt angle.

Dimple

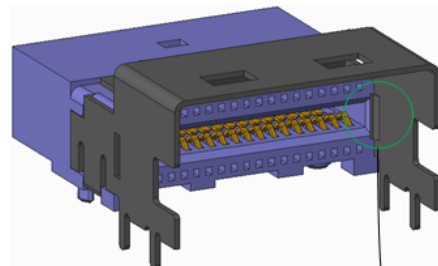
Hole



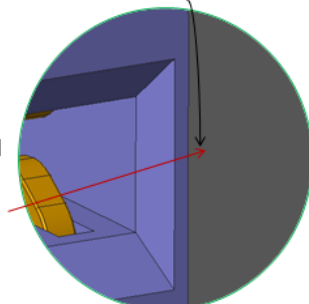
**U10-C038 Series
Original version**



**U10-C438 Series
Advanced version**



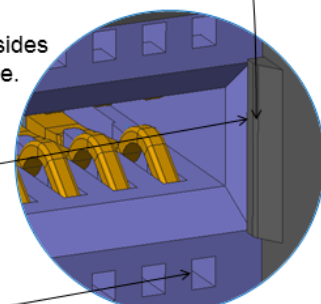
※Original housing was easy to be hit and damaged if operator don't insert plug straightly.



※ Add ribs on latch sides to reduce the tilt angle.

Dimple

Hole

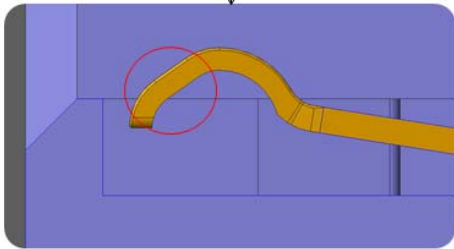
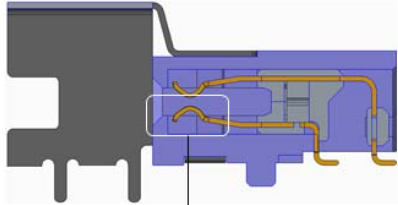


Amphenol ICC-CMIO Product Change Notification

Point 2:

**U10-A074 Series
Original version**

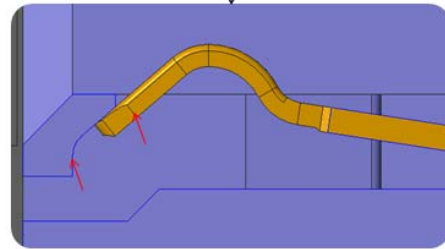
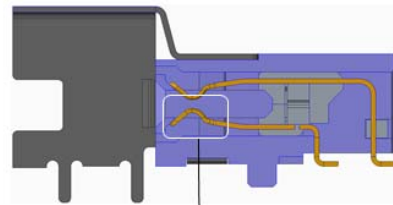
**U10-C038 Series
Original version**



※ Original contact tip is bending and shorter, so it is with higher chance that the contact tips to be damaged when operator insert the plug, especially with bigger tilt angle.

**U10-A474 Series
Advanced version**

**U10-C438 Series
Advanced version**

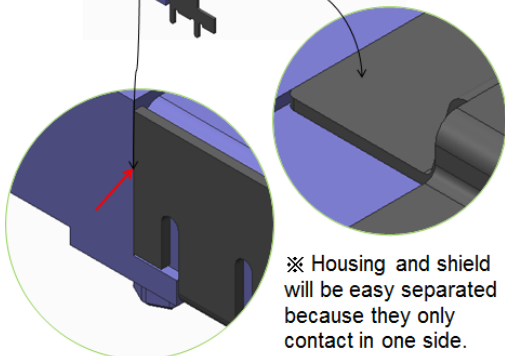
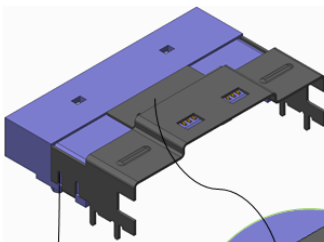


※ Make the contact tip straighter and longer to lower the tilt angle between plug with contact.

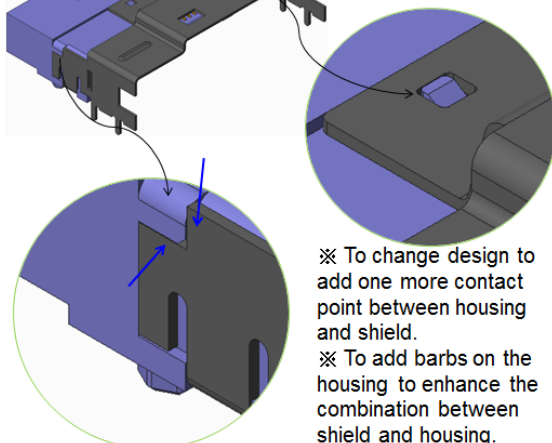
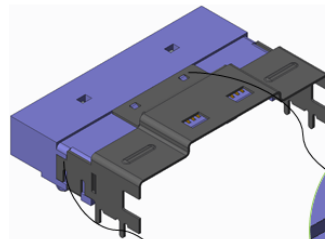
Point 3:

**U10-A074 Series
Original version**

**U10-A474 Series
Advanced version**



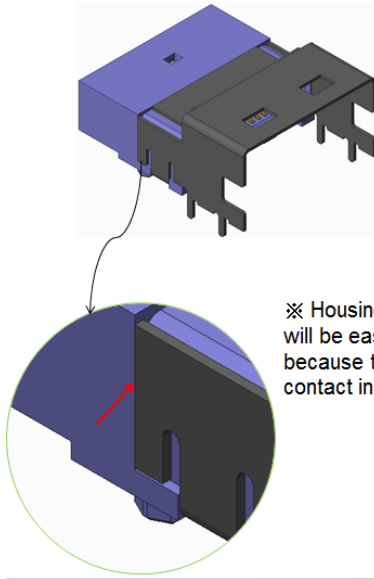
※ Housing and shield will be easy separated because they only contact in one side.



※ To change design to add one more contact point between housing and shield.
 ※ To add barbs on the housing to enhance the combination between shield and housing.

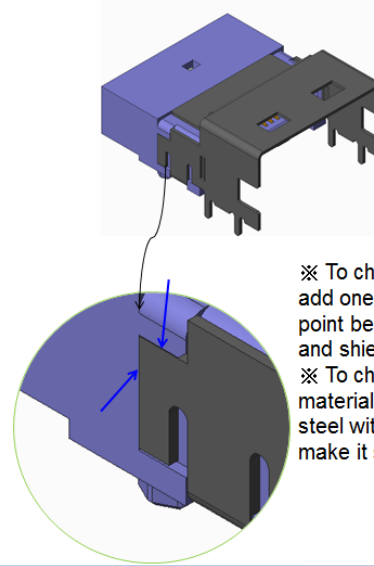
Amphenol ICC-CMIO Product Change Notification

**U10-C038 Series
Original version**



※ Housing and shield will be easy separated because they only contact in one side.

**U10-C438 Series
Advanced version**



※ To change design to add one more contact point between housing and shield.
※ To change shield raw material to stainless steel with Ni plating to make it stronger.

Part Numbers Concerned :

Amphenol Old Part Number	Amphenol New Part Number	PCN Effectivity Date	Old part Last Time Buy Date
U10-C038-200T	U10C438200T	2018/6/1	2018/11/30
U10-C038-300T	U10C438300T	2018/6/1	2018/11/30
U10-C038-201T	U10C438201T	2018/6/1	2018/11/30
U10-C038-301T	U10C438301T	2018/6/1	2018/11/30
U10-C038-240T	U10C438240T	2018/6/1	2018/11/30
U10-C038-340T	U10C438340T	2018/6/1	2018/11/30
U10-C038-241T	U10C438241T	2018/6/1	2018/11/30
U10-C038-341T	U10C438341T	2018/6/1	2018/11/30
U10-C038-250T	U10C438250T	2018/6/1	2018/11/30
U10-C038-350T	U10C438350T	2018/6/1	2018/11/30
U10-C038-251T	U10C438251T	2018/6/1	2018/11/30
U10-C038-351T	U10C438351T	2018/6/1	2018/11/30
U10-C038-260T	U10C438260T	2018/6/1	2018/11/30
U10-C038-360T	U10C438360T	2018/6/1	2018/11/30
U10-C038-261T	U10C438261T	2018/6/1	2018/11/30
U10-C038-361T	U10C438361T	2018/6/1	2018/11/30
Amphenol Old Part Number	Amphenol New Part Number	PCN Effectivity Date	Last Time Buy Date
U10-A074-200T	U10A474200T	2018/6/1	2018/11/30
U10-A074-300T	U10A474300T	2018/6/1	2018/11/30
U10-A074-201T	U10A474201T	2018/6/1	2018/11/30
U10-A074-301T	U10A474301T	2018/6/1	2018/11/30
U10-A074-202T	U10A474202T	2018/6/1	2018/11/30
U10-A074-302T	U10A474302T	2018/6/1	2018/11/30
U10-A074-240T	U10A474240T	2018/6/1	2018/11/30
U10-A074-340T	U10A474340T	2018/6/1	2018/11/30
U10-A074-241T	U10A474241T	2018/6/1	2018/11/30
U10-A074-341T	U10A474341T	2018/6/1	2018/11/30
U10-A074-242T	U10A474242T	2018/6/1	2018/11/30
U10-A074-342T	U10A474342T	2018/6/1	2018/11/30
U10-A074-250T	U10A474250T	2018/6/1	2018/11/30
U10-A074-350T	U10A474350T	2018/6/1	2018/11/30

Amphenol ICC-CMIO Product Change Notification

U10-A074-251T	U10A474251T	2018/6/1	2018/11/30
U10-A074-351T	U10A474351T	2018/6/1	2018/11/30
U10-A074-252T	U10A474252T	2018/6/1	2018/11/30
U10-A074-352T	U10A474352T	2018/6/1	2018/11/30
U10-A074-260T	U10A474260T	2018/6/1	2018/11/30
U10-A074-360T	U10A474360T	2018/6/1	2018/11/30
U10-A074-261T	U10A474261T	2018/6/1	2018/11/30
U10-A074-361T	U10A474361T	2018/6/1	2018/11/30
U10-A074-262T	U10A474262T	2018/6/1	2018/11/30
U10-A074-362T	U10A474362T	2018/6/1	2018/11/30

❌ If you can't find the part number that you are using currently, please refer to the drawings below.

Datasheet

CUSTOMER DRAWING NEW DRAWING

LOGO
12.70
U10C438XXXX
APH YYWW
PART NUMBER
DATE CODE
YY: YEAR
WW: WORK WEEK
15.80
9.90
12.20
11.10
1.30±0.05
0.675TYP.
0.66TYP. (PTH)
0.08±0.01 A/B
1.78
9.10
5.70
1.00
13.45 MIN.
(COMPONENT KEEP OUT)
TRACE KEEP OUT AREA
(12.45)
16.20 MIN.
(COMPONENT KEEP OUT)
15.30 MIN.
(PLUG)
TOLERANCE ±0.05
6.7
3.00
3.15
5.50
0.10
0.35±0.03
0.05±0.01 A/B
#19[A] 0.60
#1[A] 1.30±0.03
#20[B] 1.9
#30[B] 1.7
#1.30±0.06(NPTH)
0.05±0.01 A/B

REVISIONS				
SN	EN	DESCRIPTION	DATE	APPROVED
1	H0000	NEW RELEASE	03/05/18	JP
2	H0000	UPDATED THE DRAWING	05/18/18	JP

SPECIFICATIONS:

- Material And Finish:**
 - Insulator: High Temperature Thermoplastic UL94 V-0, Black.
 - Contact: Copper Alloy.
 - Gold Plated Over Nickel Plated On Mating Area.
 - Matte Tin Plated Over Nickel On Solder Area.
 - Latch: Stainless Steel.
 - Nickel Plated Overall.
- Electrical Specification**
 - Contact Resistance: 20m Ohms Max.
 - Insulation Resistance: 1000M Ohms Min. At 100V DC For 60 Seconds.
 - Withstanding Voltage: 300V Min. DC For 60 Seconds.
 - Voltage Rating: 30V AC.
 - Current Rating: 0.5A Per Pin.
- Mechanical Specification**
 - Latch Retention Force: 50N Min.
 - Mating Force: 40N Max.
 - Unmating Force: 30N Max.
 - Durability: 250 Cycles.
- Environmental Specification**
 - Operating Temperature: -40° ~ +85°C.
 - Temperature Rise: 30°C Max.
- RoHS Compliant.

U10 C438 X X X X

PACKING
T: TAPE & REEL
1: TRAY

SHORTING BAR OPTION
0 = WITH SHORTING BAR
1 = NO SHORTING BAR

LATCH PIN OPTION
0 = 1.50
4 = 3.20
5 = 3.20
6 = 4.20

PLATING OPTION
2 = 30 MICRONINCHES OF GOLD
3 = 15 MICRONINCHES OF GOLD

TOLERANCES		APPROVAL	DATE
METRIC	0.25	DRAWN	Jason.Yan 05/18/18
U.S.	0.15	CHECKED	
U.S.	0.15	CHECKED	

UNLESS OTHERWISE SPECIFIED

TOP VIEW: REMOVE SHARP EDGES

ANGLE OF PROJECTION: 1st

DIMENSIONS: U.S. (INCHES), METRIC (MM)

Amphenol
Amphenol East Asia Limited

TITLE: CUSTOMER DRAWING FOR ULTRAPORT SLIMSAS™ AX24 R/A RECEPTACLE WITH LATCH

SIZE: DRAWING NO. U10C438XXXX REV. 2

A3 SCALE: 5:1 SHEET 1 OF 1

Amphenol ICC-CMIO Product Change Notification

<p>CUSTOMER DRAWING NEW DRAWING</p>		<table border="1" style="width: 100%; border-collapse: collapse;"> <thead> <tr> <th colspan="5">REVISIONS</th> </tr> <tr> <th>REV</th> <th>EDN</th> <th>DESCRIPTION</th> <th>DATE</th> <th>APPROVED</th> </tr> </thead> <tbody> <tr> <td>1</td> <td>H0000X</td> <td>NEW RELEASE</td> <td>03/05/18</td> <td>JP</td> </tr> <tr> <td>2</td> <td>H0000X</td> <td>UPDATED THE DRAWING</td> <td>05/18/18</td> <td>JP</td> </tr> </tbody> </table> <p>SPECIFICATIONS:</p> <ol style="list-style-type: none"> Material And Finish: <ul style="list-style-type: none"> Insulator: High Temperature Thermoplastic UL94 V-0, Black. Contact: Copper Alloy. Gold Plated Over Nickel Plated On Mating Area. Matte Tin Plated Over Nickel On Solder Area. Latch: Stainless Steel. Nickel Plated Overall. Electrical Specification <ul style="list-style-type: none"> Contact Resistance: 20m Ohms Max. Insulation Resistance: 1000M Ohms Min. At 100V DC For 60 Seconds. Withstanding Voltage: 300V Min. DC For 60 Seconds. Voltage Rating: 30V AC. Current Rating: 0.5A Per Pin. Mechanical Specification <ul style="list-style-type: none"> Latch Retention Force: 50N Min. Mating Force: 40N Max. Unmating Force: 30N Max. Durability: 250 Cycles. Environmental Specification <ul style="list-style-type: none"> Operating Temperature: -40° ~ +85°C. Temperature Rise: 30°C Max. RoHS Compliant. <p style="border: 1px solid red; padding: 2px; display: inline-block;">U10 A474 XXXX</p> <p>PACKING T: TAPE & REEL 1: TRAY</p> <p>SHORTING BAR OPTION 0 = WITH SHORTING BAR 1 = NO SHORTING BAR 2 = WITH ADVANCED SHORTING BAR</p> <p>LATCH PIN OPTION 0 = 1.50 4 = 2.20 5 = 3.00 6 = 4.20</p> <p>PLATING OPTION 2 = 30 MICRONINCHES OF GOLD 3 = 15 MICRONINCHES OF GOLD</p>	REVISIONS					REV	EDN	DESCRIPTION	DATE	APPROVED	1	H0000X	NEW RELEASE	03/05/18	JP	2	H0000X	UPDATED THE DRAWING	05/18/18	JP
REVISIONS																						
REV	EDN	DESCRIPTION	DATE	APPROVED																		
1	H0000X	NEW RELEASE	03/05/18	JP																		
2	H0000X	UPDATED THE DRAWING	05/18/18	JP																		

RoHS Compliant

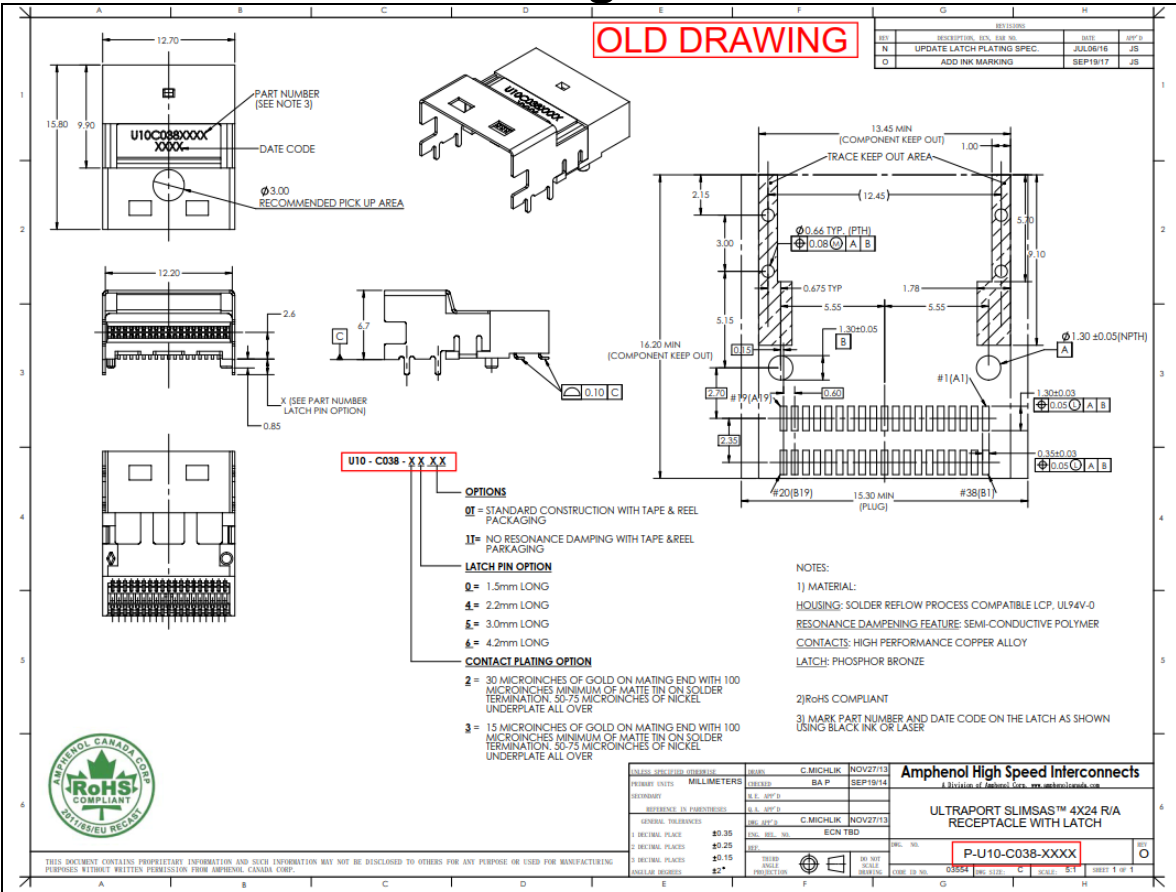
UNLESS OTHERWISE SPECIFIED	APPROVAL	DATE	Amphenol Amphenol East Asia Limited
TOLERANCES	DRAWN	05/18/18	
X .XX	CHECKED		TITLE
XX .XX			CUSTOMER DRAWING FOR
XXX .XX			ULTRAPORT SLIMSAS™ 8X24 R/A
FRACTIONS			RECEPTACLE WITH LATCH
ANGLES +/-			SIZE DRAWING
FOR MATERIALS AND FINISHES	DRAWING FILE :		A3
REMOVE SHARP EDGES	ANGLE OF PROJECTION		SCALE
REMOVE SHARP EDGES			5:1
DIMENSIONS			SHEET 1 OF 1
INCHES			
(METRIC)			

<p>CUSTOMER DRAWING OLD DRAWING</p>		<table border="1" style="width: 100%; border-collapse: collapse;"> <thead> <tr> <th colspan="5">REVISIONS</th> </tr> <tr> <th>REV</th> <th>DESCRIPTION</th> <th>DATE</th> <th>BY</th> <th>APP'D</th> </tr> </thead> <tbody> <tr> <td>N</td> <td>UPDATE DIMENSION</td> <td>OCT 12/18</td> <td>JS</td> <td></td> </tr> <tr> <td>O</td> <td>ADD INK MARKING</td> <td>SEP19/17</td> <td>JS</td> <td></td> </tr> </tbody> </table> <p style="border: 1px solid red; padding: 2px; display: inline-block;">U10 - A074 - XXXX</p> <p>OPTIONS</p> <p>0I = STANDARD CONSTRUCTION WITH TAPE & REEL PACKAGING</p> <p>1I = NO RESONANCE DAMPING FEATURE WITH TAPE & REEL PACKAGING</p> <p>2I = ADVANCED RESONANCE WITH TAPE & REEL PACKAGING</p> <p>LATCH PIN LENGTH OPTIONS</p> <p>0L = 1.50 4L = 2.20 5L = 3.00 6L = 4.20</p> <p>CONTACT PLATING OPTION</p> <p>2 = 30 MICRONINCHES OF GOLD ON MATING END WITH 100 MICRONINCHES MINIMUM OF MATTE TIN ON SOLDER TERMINATION. 50-75 MICRONINCHES OF NICKEL UNDERPLATE ALL OVER</p> <p>3 = 15 MICRONINCHES OF GOLD ON MATING END WITH 100 MICRONINCHES MINIMUM OF MATTE TIN ON SOLDER TERMINATION. 50-75 MICRONINCHES OF NICKEL UNDERPLATE ALL OVER</p>	REVISIONS					REV	DESCRIPTION	DATE	BY	APP'D	N	UPDATE DIMENSION	OCT 12/18	JS		O	ADD INK MARKING	SEP19/17	JS	
REVISIONS																						
REV	DESCRIPTION	DATE	BY	APP'D																		
N	UPDATE DIMENSION	OCT 12/18	JS																			
O	ADD INK MARKING	SEP19/17	JS																			

RoHS Compliant

UNLESS OTHERWISE SPECIFIED	DATE	NOV27/13	Amphenol High Speed Interconnects A Division of Amphenol Corp. www.amphenol.com
PRIMARY UNITS: MILLIMETERS	DESIGNED	SEP16/14	
SECONDARY	DRAWN		TITLE
REFERENCE TO PARTS LIST	CHECKED		ULTRAPORT SLIMSAS™ 8X24 R/A
GENERAL TOLERANCES			RECEPTACLE WITH LATCH
1 DECIMAL PLACES			SIZE DRAWING
2 DECIMAL PLACES			A3
3 DECIMAL PLACES			SCALE
ANGULAR DIMENSIONS			5:1
			SHEET 1 OF 1

Amphenol ICC-CMIO Product Change Notification



Implementation date:

2018/6/1

Recommended Action:

Sales to inform customers.

DOC#: P-18-00010