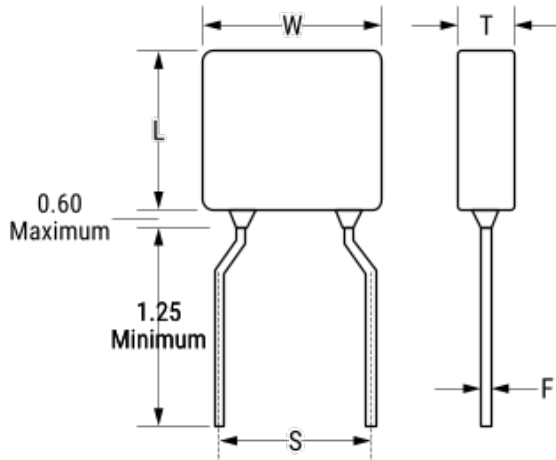


TRR08B225MGS

TRR Indust X7R HT260C, Ceramic, 2.2 uF, 20%, 50 VDC, X7R, Commercial, High Temperature, Lead Spacing = 10.16mm



Click [here](#) for the 3D model.

Dimensions

L	12.7mm MAX
W	12.7mm MAX
T	2.54mm MAX
S	10.16mm +/-0.76mm
LL	3.175mm MIN
F	0.635mm +/-0.051mm

Packaging Specifications

Packaging	Bulk, Bag
Packaging Quantity	1

General Information

Series	TRR Indust X7R HT260C
Style	Radial
Description	Commercial, High Temperature
Features	Commercial
RoHS	With Exemptions
REACH	SVHC (Pb - CAS 7439-92-1)
SCIP Number	a5a9e204-6d6a-49c3-acf7-37d0b4e9df91
Termination	Gold
Failure Rate	N/A
Testing and Reliability	Standard
AEC-Q200	No

Specifications

Capacitance	2.2 uF
Capacitance Tolerance	20%
Voltage DC	50 VDC
Dielectric Withstanding Voltage	125 VDC
Temperature Range	-55/+260°C
Temperature Coefficient	X7R
Dissipation Factor	2.5% 1kHz 1.0Vrms
Insulation Resistance	454.5 MOhms