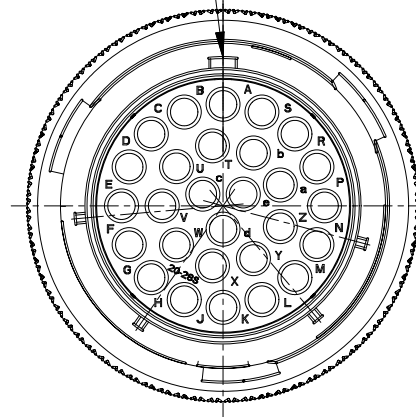
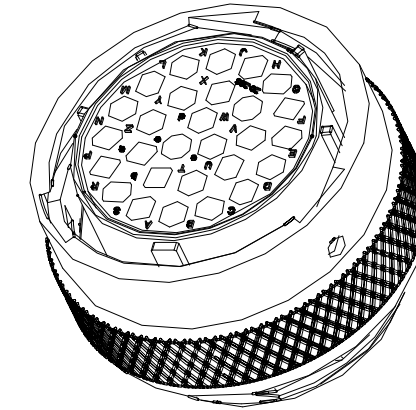
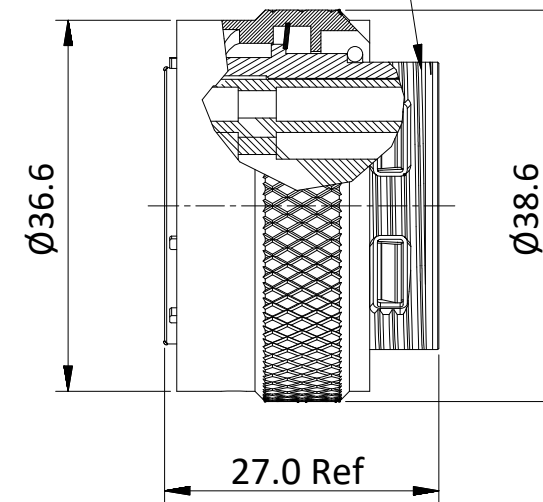


REVISIONS					
REV	ECO	DESCRIPTION	DATE	BY	APPR
A1	-	RELEASED DRAWING	3/3/2021	RO	DR DR
A2	-	UPDATED VOLTAGE	1/4/2022	RO	DR
A3	-	UPDATED AMPERAGE	5/4/2023	RO	DR

MASTER KEYWAY



11/16-24 UNEF THREAD

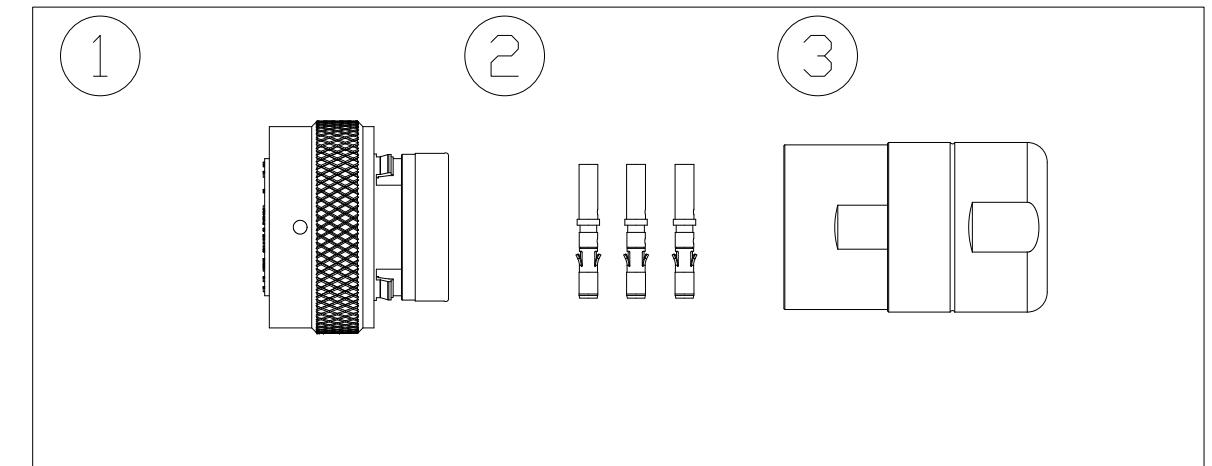


NOTES:

- MATERIAL
SHELL: ZINC ALLOY, NICKEL PLATED.
INSERT: THERMOPLASTIC, UL94 V-0.
COUPLING NUT: ALLOY, NICKEL PLATED.
WAVE WASHER: STAINLESS STEEL.
O-RING: NBR.
- SPECIFICATIONS:
2.1 RATED CURRENT: 3A (MAX).
2.2 RATED VOLTAGE: 500V (AC/DC).
2.3 OPERATING TEMPERATURE: -40C + 105C.
2.4 DIELECTRIC WITHSTANDING VOLTAGE: LESS THAN 2 MILLIAMPS CURRENT LEAKAGE @2000 VOLTS AC.
2.5 INSULATION RESISTANCE: 5000 MEGOHMS MIN.
2.6 IP---CLASS: IP67 (IN MATED CONDITION)
2.7 MATING CYCLES DURABILITY: 500 CYCLES (MIN).
2.8 ROHS COMPLIANT.
- SUITABLE CONTACTS: #16 CONTACTS.
- ALL DIMENSIONS ARE FOR REFERENCE USE ONLY.

KEY POS	PART NUMBER
N	RT062028SNH
W	RT062028SWH
X	RT062028SXH
Y	RT062028SYH
Z	RT062028SZH

ILLUSTRATION: COMPLETE KIT



1	RT0L-20CG-S1	CORDGRIP,SIZE 20,16.5-22MM	3
28	MS16M23F	CONTACT,SOCKET,16AWG,18-16GA	2
1	RT062028S*H	PLUG,FEMALE,20-28	1
QTY	PART NUMBER	DESCRIPTION	ITEM

MATERIALS LIST

UNLESS OTHERWISE SPECIFIED 1) All dimensions are in metric(mm). 2) Tolerances are as follows: 1 PL DEC ±0.30 2 PL DEC ±0.15 3 PL DEC ±0.08 3) Note reference =	SIGNATURES	DATE	<h1>Amphenol</h1> Sine Systems - www.amphenol-sine.com 44724 Morley Drive Clinton Township, MI 48036	
	DRAWN: RO	3/3/2021		
MATERIAL SPECIFICATIONS:	CHECKED:		ECO-MATE,PLUG, SIZE 20, 28POS,SOCKET, KIT	
	ENGINEER:			
PROCESS SPECIFICATIONS:	APPROVAL:		THIS DRAWING IS SUPPLIED FOR INFORMATION ONLY. DESIGN FEATURES, SPECIFICATIONS AND PERFORMANCE DATA SHOWN HEREON ARE THE PROPERTY OF THE AMPHENOL CORPORATION. NO RIGHTS OF REPRODUCTION ARE IMPLIED. ALL DIMENSIONS ARE SUBJECT TO NORMAL MANUFACTURING VARIATIONS.	
	CUSTOMER:			
NEXT ASSY:	SIZE	TYPE	DWG NO:	REVISION
	B	C-	RT062028S*H-K	A3
	SCALE: NONE		SHEET 11 OF	

TITLE: ECO-MATE PLUG, SIZE 20, 28POS, SOCKET.

DWG NO:

RT062028S*H

REV: A3

SH: 1

OF: 1