

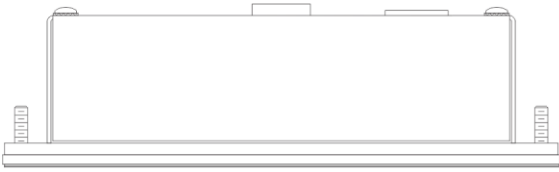
4 x 20 VFD Display



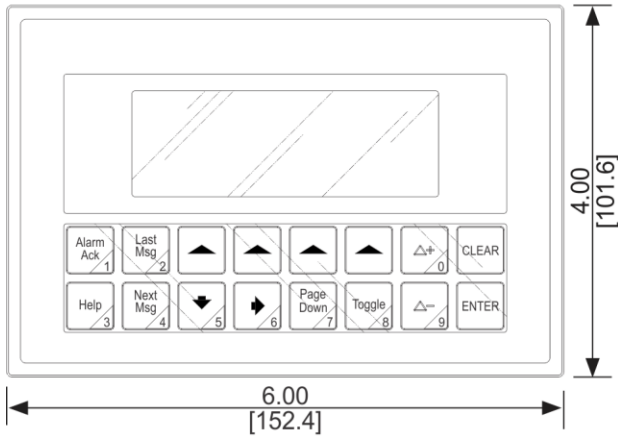
- 4 Line by 20 Character VFD Display
- Membrane Keypad with Customizable Key Legend Insert
- 16 Programmable Keys
- 1 Serial RS232/422/485 Port

System	Capacity (screens)	500
	Audio	Internal audio transducer
I/O Ports	Serial	1 x RJ45 shielded RS-232/422/485
	Power	3 pins terminal block connector, DC power input
Display	Type	VFD; 5 x 7 dot matrix
	Size	4 line by 20 characters
	Viewing Angle (°)	Approximately 90 degree
Keypad	Type	Flat panel membrane
	Material	Polyester
	Lifespan	3 million operations
	Programmable Keys	16 (up to 8 screen-dependent)
	Customizable Key Legend	Yes
Electrical	Input Voltage	12 ~ 30 VDC
	Input Power	2.02 W
	Input Current	84 mA @ 24 VDC
Mechanical	Enclosure	Aluminum
	Dimensions (W x H x D)	6 x 4 x 1.77 inches [152.4 x 101.6 x 45 mm]
	Weight	0.80 lbs [0.36 kg]
Environmental	Mounting	Panel mounting
	Operating Temperature	14 ~ 149°F (-10 ~ 65°C)
	Storage Temperature	-22 ~ 176°F (-30 ~ 80°C)
	Relative Humidity	5% ~ 95% (non-condensing)
	Rating	NEMA4X / IP65
Notes	Certifications	CE / cULus (Class I, Division 2)
	Specifications subject to change without notice. For panel cutout dimensions, please refer to dimensional drawing.	

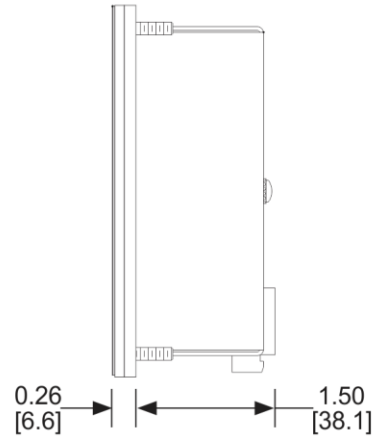
Top View



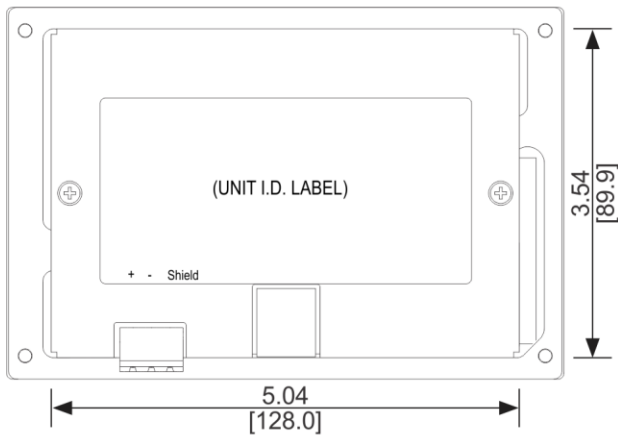
Front View



Side View

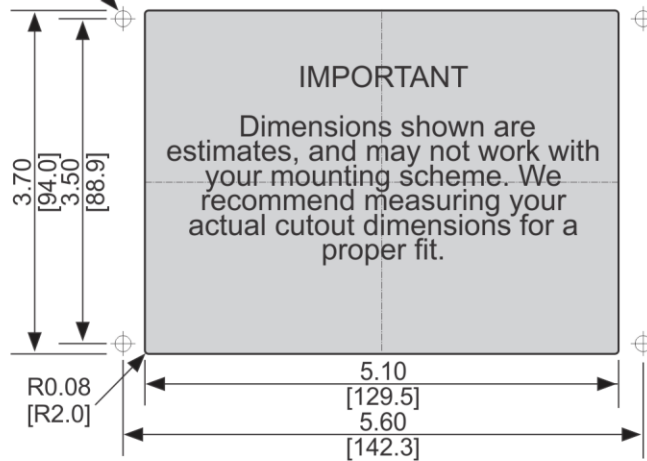


Rear View

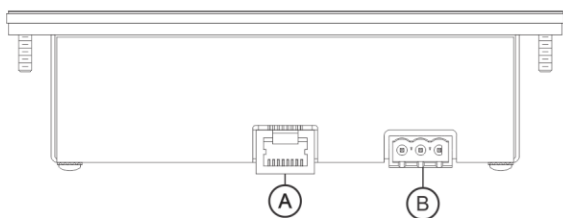


0.172 [4.4] DIA,
4 Holes

Cutout Dimensions



Bottom View



Dimensions are in inches [mm]

- (A) RJ-45 Serial COM Port
- (B) Power Connector