



- Features :
 - Universal AC input / Full range
 - Protections: Short circuit / Overload / Over voltage
 - Cooling by free air convection
 - 100% full load burn-in test
 - 2 years warranty

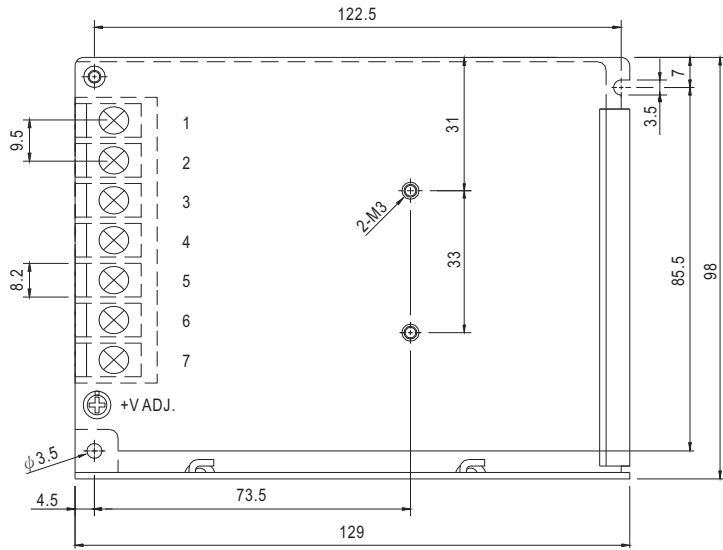


SPECIFICATION

| MODEL | | NET-50A | | | NET-50B | | | NET-50C | | | NET-50D | | |
|--------------------------------------|--|---|------------|----------------------------------|------------------|------------|------------|------------------|----------|------------|------------------|------------|------------|
| OUTPUT | OUTPUT NUMBER | CH1 | CH2 | CH3 | CH1 | CH2 | CH3 | CH1 | CH2 | CH3 | CH1 | CH2 | CH3 |
| | DC VOLTAGE | 5V | 12V | -5V | 5V | 12V | -12V | 5V | 15V | -15V | 5V | 24V | 12V |
| | RATED CURRENT | 4A | 2A | 0.5A | 4A | 2A | 0.5A | 4A | 1.5A | 0.5A | 3A | 1A | 1A |
| | CURRENT RANGE <small>Note.6</small> | 0.6 ~ 5A | 0.2 ~ 2.5A | 0.1 ~ 0.7A | 0.6 ~ 5A | 0.2 ~ 2.5A | 0.1 ~ 0.7A | 0.6 ~ 5A | 0.1 ~ 2A | 0.1 ~ 0.7A | 0.6 ~ 5A | 0.1 ~ 1.5A | 0.1 ~ 1.5A |
| | RATED POWER | 46.5W | | | 50W | | | 50W | | | 51W | | |
| | RIPPLE & NOISE (max.) <small>Note.2</small> | 80mVp-p | 120mVp-p | 120mVp-p | 80mVp-p | 120mVp-p | 120mVp-p | 80mVp-p | 150mVp-p | 150mVp-p | 80mVp-p | 200mVp-p | 120mVp-p |
| | VOLTAGE ADJ. RANGE | CH1:4.75 ~ 5.5V | | | CH1: 4.75 ~ 5.5V | | | CH1: 4.75 ~ 5.5V | | | CH1: 4.75 ~ 5.5V | | |
| | VOLTAGE TOLERANCE <small>Note.3</small> | ±2.0% | ±6.0% | ±5.0% | ±2.0% | ±6.0% | ±5.0% | ±2.0% | ±8.0% | ±5.0% | ±2.0% | ±8.0% | ±6.0% |
| | LINE REGULATION <small>Note.4</small> | ±0.5% | ±1.0% | ±1.0% | ±0.5% | ±1.0% | ±1.0% | ±0.5% | ±1.0% | ±1.0% | ±0.5% | ±1.0% | ±1.0% |
| | LOAD REGULATION <small>Note.5</small> | ±1.5% | ±3.0% | ±1.0% | ±1.5% | ±3.0% | ±1.0% | ±1.5% | ±3.0% | ±1.0% | ±1.5% | ±3.0% | ±3.0% |
| SETUP, RISE TIME | 500ms, 30ms/230VAC | | | 1200ms, 30ms/115VAC at full load | | | | | | | | | |
| HOLD UP TIME (Typ.) | 50ms/230VAC | | | 10ms/115VAC at full load | | | | | | | | | |
| INPUT | VOLTAGE RANGE | 85 ~ 264VAC | | 120 ~ 370VDC | | | | | | | | | |
| | FREQUENCY RANGE | 47 ~ 63Hz | | | | | | | | | | | |
| | EFFICIENCY (Typ.) | 76% | | | 78% | | | 78% | | | 80% | | |
| | AC CURRENT (Typ.) | 1.1A/115VAC | | 0.65A/230VAC | | | | | | | | | |
| | INRUSH CURRENT (Typ.) | COLD START 45A | | | | | | | | | | | |
| | LEAKAGE CURRENT | <2mA / 240VAC | | | | | | | | | | | |
| PROTECTION | OVERLOAD | 110 ~ 150% rated output power Protection type : Hiccup mode, recovers automatically after fault condition is removed | | | | | | | | | | | |
| | OVER VOLTAGE | CH1: 5.75 ~ 6.75V Protection type : Shut down o/p voltage, re-power on to recover | | | | | | | | | | | |
| ENVIRONMENT | WORKING TEMP. | -20 ~ +60°C (Refer to "Derating Curve") | | | | | | | | | | | |
| | WORKING HUMIDITY | 20 ~ 90% RH non-condensing | | | | | | | | | | | |
| | STORAGE TEMP., HUMIDITY | -40 ~ +85°C, 10 ~ 95% RH | | | | | | | | | | | |
| | TEMP. COEFFICIENT | ±0.03%/°C (0 ~ 45°C) | | | | | | | | | | | |
| | VIBRATION | 10 ~ 500Hz, 2G 10min./1cycle, period for 60min. each along X, Y, Z axes | | | | | | | | | | | |
| SAFETY & EMC <small>(Note 7)</small> | SAFETY STANDARDS | UL60950-1, CB(IEC60950-1) approved | | | | | | | | | | | |
| | WITHSTAND VOLTAGE | I/P-O/P:3KVAC I/P-FG:2KVAC O/P-FG:0.5KVAC | | | | | | | | | | | |
| | ISOLATION RESISTANCE | I/P-O/P, I/P-FG, O/P-FG:100M Ohms / 500VDC / 25°C/ 70% RH | | | | | | | | | | | |
| | EMC EMISSION | Compliance to EN55022 (CISPR22) Class B, EN61000-3-2,-3 | | | | | | | | | | | |
| | EMC IMMUNITY | Compliance to EN61000-4-2,3,4,5,6,8,11, EN55024, EN61000-6-1, light industry level, criteria A | | | | | | | | | | | |
| OTHERS | MTBF | 348.4K hrs min. MIL-HDBK-217F (25°C) | | | | | | | | | | | |
| | DIMENSION | 129*98*38mm (L*W*H) | | | | | | | | | | | |
| | PACKING | 0.44Kg; 30pcs/14.2Kg/0.72CUFT | | | | | | | | | | | |
| NOTE | 1. All parameters NOT specially mentioned are measured at 230VAC input, rated load and 25°C of ambient temperature. 2. Ripple & noise are measured at 20MHz of bandwidth by using a 12" twisted pair-wire terminated with a 0.1uf & 47uf parallel capacitor. 3. Tolerance : includes set up tolerance, line regulation and load regulation. 4. Line regulation is measured from low line to high line at rated load. 5. Load regulation is measured from 20% to 100% rated load, and other output at 60% rated load. 6. Each output can work within current range. But total output power can't exceed rated output power. 7. The power supply is considered a component which will be installed into a final equipment. The final equipment must be re-confirmed that it still meets EMC directives. For guidance on how to perform these EMC tests, please refer to "EMI testing of component power supplies." (as available on http://www.meanwell.com) | | | | | | | | | | | | |

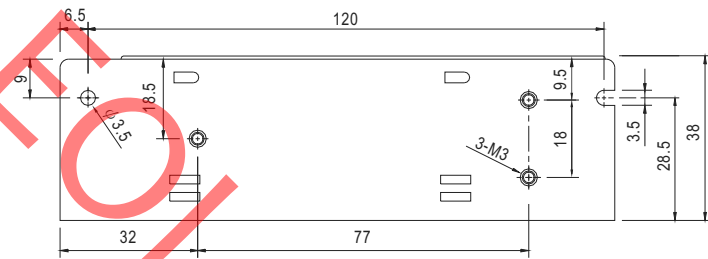
■ Mechanical Specification

Case No. 903 Unit:mm

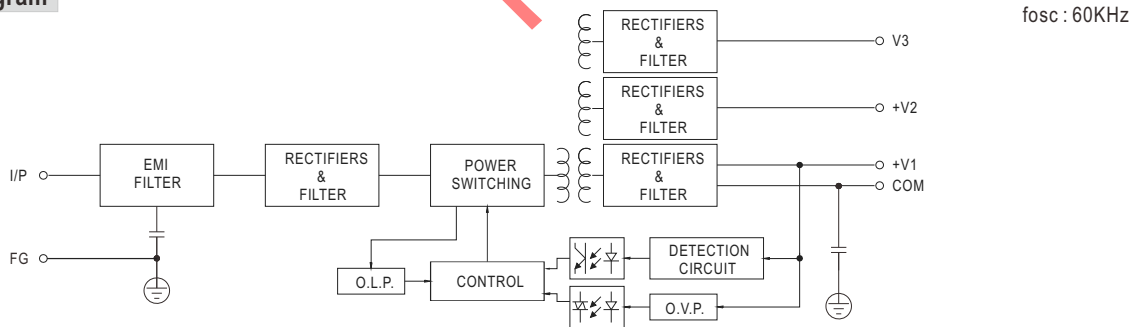


Terminal Pin No. Assignment

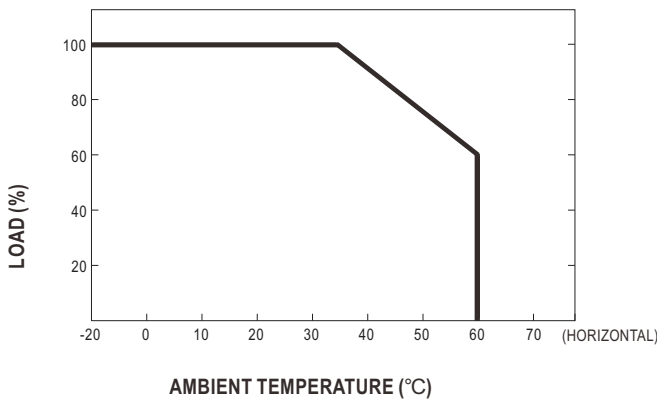
| Pin No. | Assignment | Pin No. | Assignment |
|---------|--------------|---------|---------------|
| 1 | AC/L | 5 | DC OUTPUT +V2 |
| 2 | AC/N | 6 | DC OUTPUT COM |
| 3 | FG | 7 | DC OUTPUT +V1 |
| 4 | DC OUTPUT V3 | | |



■ Block Diagram



■ Derating Curve



■ Output Derating VS Input Voltage

