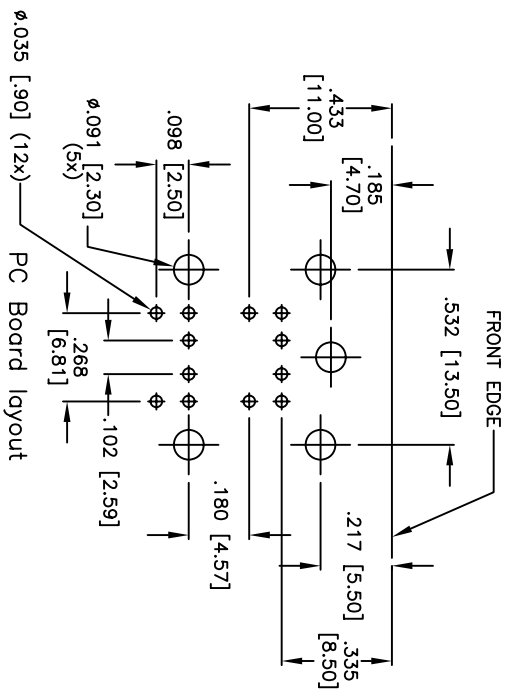
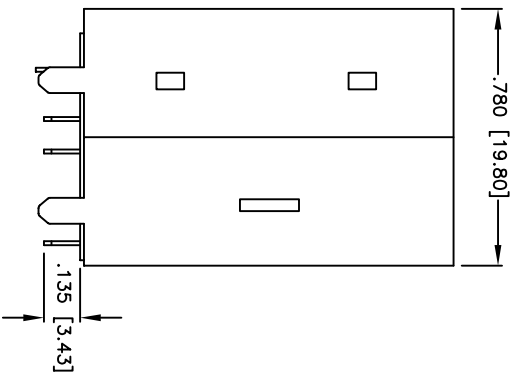
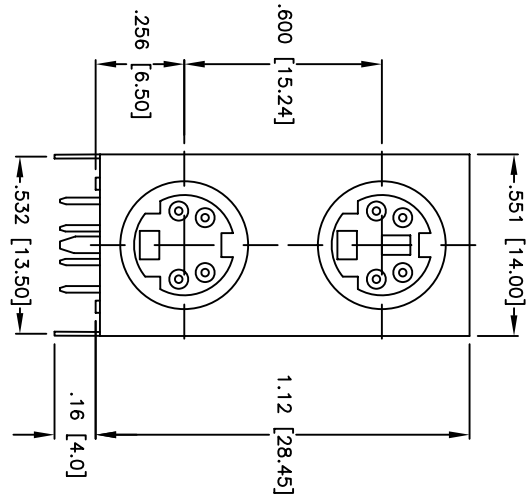


Rev	AWO #	Description	Date	Appr
-		RELEASED	1/23/06	

APPROVED: \_\_\_\_\_  
 DATE: \_\_\_\_\_ TITLE: \_\_\_\_\_



**SPECIFICATIONS:**

Material: Insulator: PBT, glass filled, rated UL 94V-0  
 Insulator color: Black  
 Contacts: Phosphor Bronze  
 Shield: Copper Alloy, Tin plated  
 Plating: Gold over Nickel underplate on contact area, Tin over Copper underplate on tails

Electrical: Operating voltage: 100 VAC/12 VDC max.  
 Current rating: 1 Amp max./2 Amps max.  
 Contact resistance: 20 mohms max. initial  
 Insulation resistance: 500 Mohms min.  
 Dielectric withstanding voltage: 500 VAC for 1 minute  
 Temperature Rating: Operating temperature: -25°C to +70°C

Environmental: Lead free, RoHS compliant.  
 Recommended soldering temp: 235 for 5 sec.



**ADAM TECH**

909 Rahway Avenue, Union, NJ 07083  
 Phone: 908-687-5000 Fax: 908-687-5710

TITLE: MINI DIN JACK, STACKED 4 POSITION  
 RIGHT ANGLE, FULLY SHIELDED

UNLESS OTHERWISE SPECIFIED ALL DIMENSIONS ARE IN INCHES [MM]	
TOLERANCES: EXCEPT AS NOTED	
INCHES	HOLDS
.X ± .10	ØX ± .10
.XX ± .020	ØXX ± .015
.XXX ± .015	ØXXX ± .010
APPROVALS	DATE
DRAWN	SS
CHECKED	1/23/06
APPROVED	

SIZE	PART NO.	REV.
X	MDJD-004-FS	-
REF:	SCALE: NTS	SHEET 1 OF 1