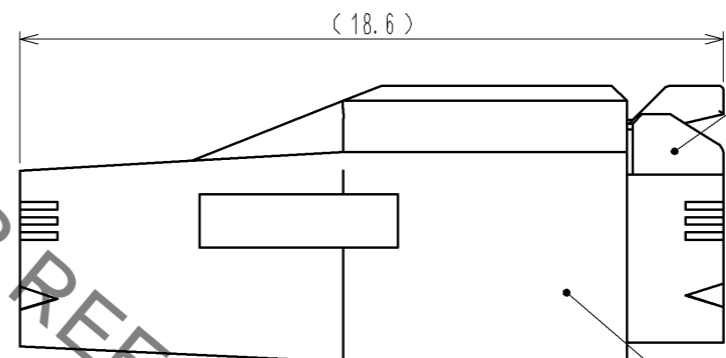
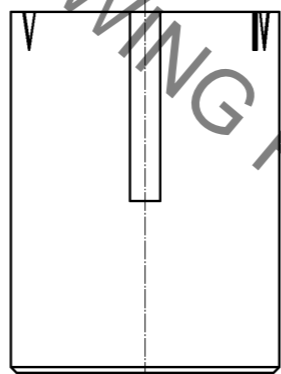
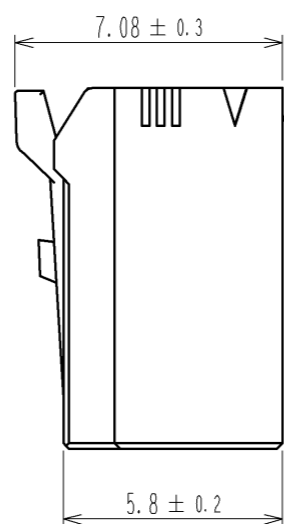
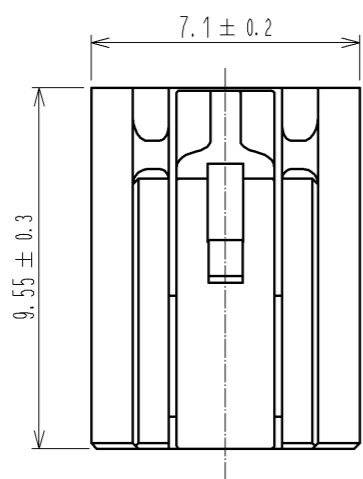
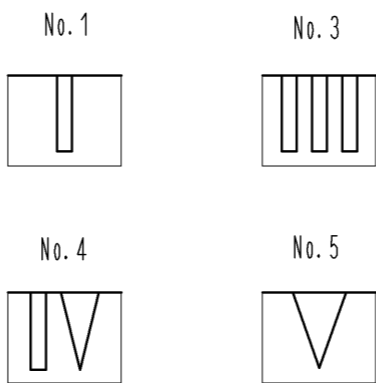
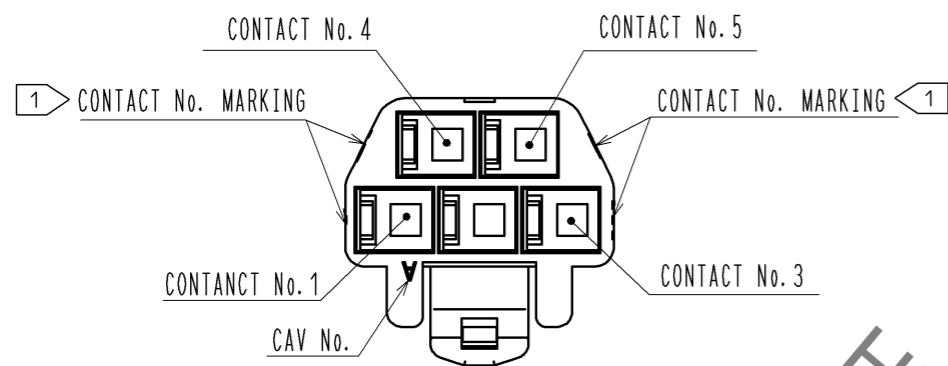


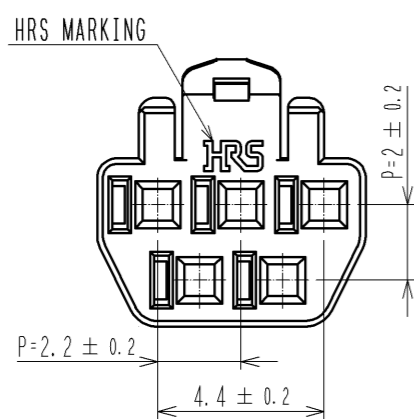
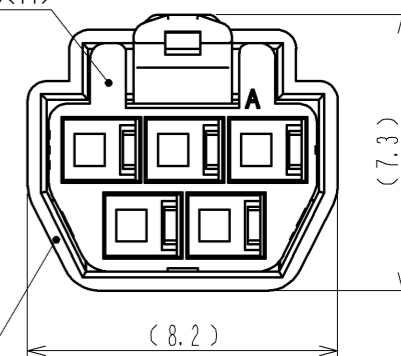
Aug.1.2019 Copyright 2019 HIROSE ELECTRIC CO., LTD. All Rights Reserved.  
 In case of consideration for using Automotive equipment / device which demand high reliability, kindly contact our sales window correspondents.

1 FIGURE-1 CONTACT No. MARKING (10:1)



MATING FIGURE

DF62B-5S-2.2C(11)



- NOTE. 1. MARKINGS AT THE INDICATED POSITIONS ARE CONTACT NO. MARKING. AND SHAPES ARE SHOWN IN FIGURE-1.  
 2. PER PACK : 100 PIECES.  
 3. THE DIMENSIONS IN PARENTHESIS ARE FOR REFERENCE.

NO.	MATERIAL	FINISH . REMARKS	NO.	MATERIAL	FINISH . REMARKS
			1	PBT	UL94V-0 (BLACK)
UNITS	mm	SCALE	5 : 1	COUNT	△
HIROSE ELECTRIC CO., LTD.		APPROVED : KI. AKIYAMA	13. 09. 11	DRAWING NO. EDC3-351959-01	
		CHECKED : OM. MIYAMOTO	13. 09. 11	PART NO. DF62B-5S-2. 2C(11)	
		DESIGNED : TH. YOSHIZAWA	13. 09. 11	CODE NO. CL544-0554-8-11	
		DRAWN : MI. SAKIMURA	13. 09. 06	1/1	