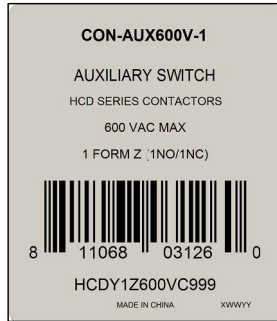
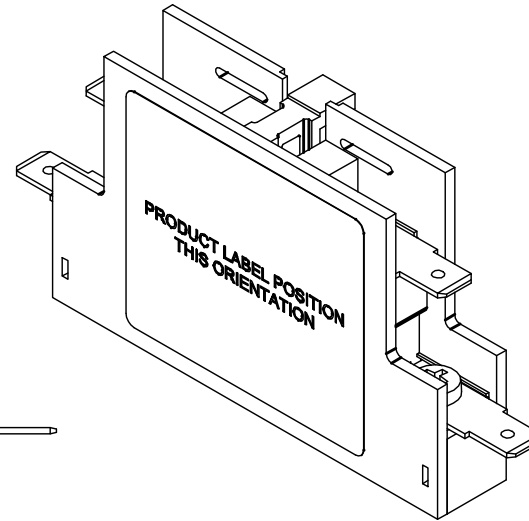
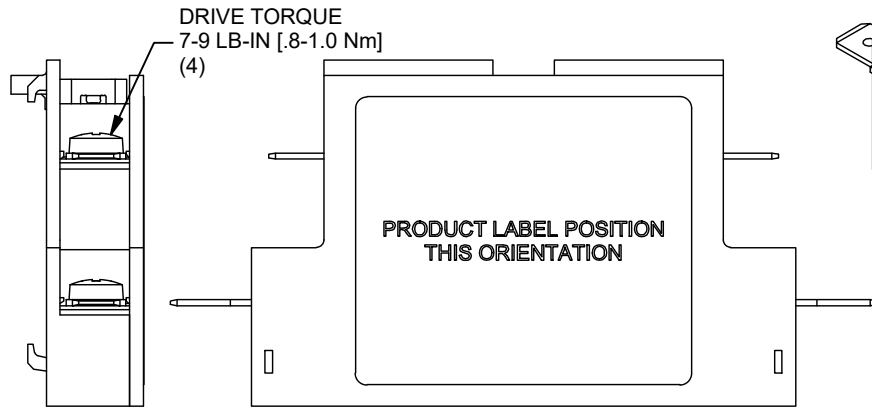


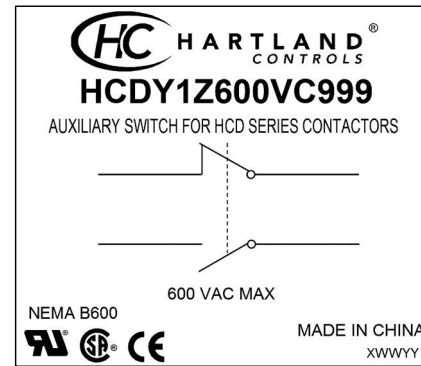
LABEL	UPCA BARCODE NUMBER
I-BOX	811068031260
MASTER BOX	811068031277

NOTES: UNLESS OTHERWISE SPECIFIED

- 1 COVER TO BE SNAPPED ONTO HOUSING AND ULTRASONICALLY WELDED



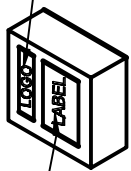
INDIVIDUAL BOX LABEL - 1005215
(1.50"[38.1] X 1.75"[44.5])



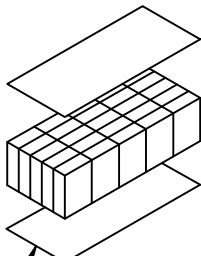
PRODUCT LABEL - 1005290
(1.75"[44.5] X 1.50"[38.1])

PACKAGING

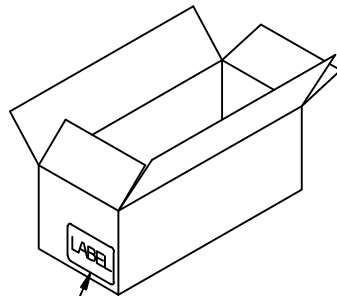
HC LOGO
HARTLAND
CONTROLS



INDIVIDUAL BOX LABEL
CENTERED RIGHT &
LEFT, CENTERED TOP &
BOTTOM UNDER LOGO



FLAT FILLER FOR
OVERPACK BOX



OVERPACK BOX
LABEL PLACEMENT
(THIS ORIENTATION)

BOX	FLAT FILLER	OVERPACK
1005158	1001548 (2 PIECES)	1005641



MASTER BOX LABEL - 1005278
(4.00"[101.6] X 2.00"[50.8])



FULL PALLET LABEL - 1005279
(4.00"[101.6] X 2.00"[50.8])

F	REVISED I-BOX VIEW IN PACKAGING TABLE.	05333	BJS	KWD	7/21/20
E	OVERPACK BOX WAS 1001869	05301	MM	AWW	6/11/20
D	REVISE I-BOX LABEL LAYOUT. PRIMARY PART # WAS CON-AUX600V	04671	MM	KWD	6/26/18
C	ADDED IBOX LABEL PLACEMENT	04496	KWD	MM	1/11/18
A	ISSUE DRAWING	04401	MM	KWD	12/20/17
REV	DESCRIPTION	ECN	DWN	APVD	APVD DATE

Hartland Controls LLC
807 Antec Rd.
Rock Falls, IL 61071

DRN BY	DRN DATE	CHECKED BY	CHECKED DATE
MM	12/12/17	KWD	12/20/17

DESC: AUX. SWITCH 1NO/1NC

PART NO.
HCDY1Z600VC999