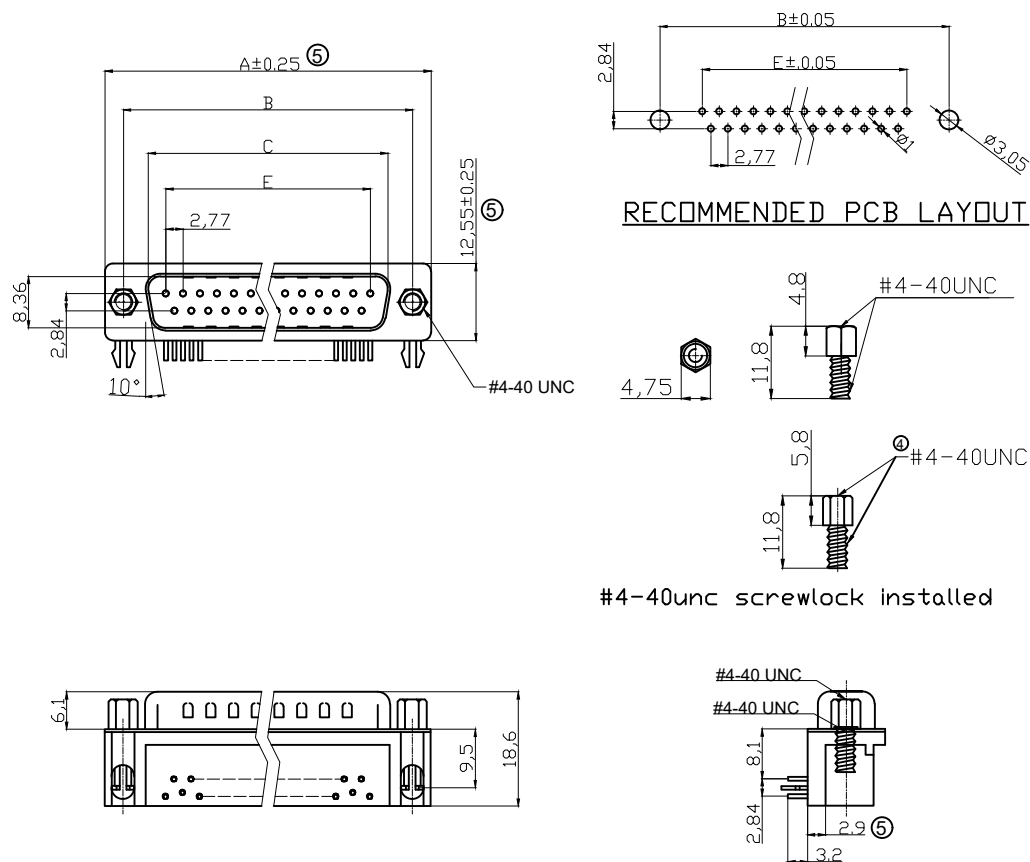


Male



NOTES:

MATERIAL

1. Insulator Material: Glass-Filled Thermoplastic PBT, UL 94V-0, Black
2. Contact Material: Brass
3. Contact plating: See order code
4. Shell: Steel, 100u" Tin over 50u" min copper
5. Clinch Nut: Copper alloy, Nickel plated
6. Boardlock: Brass, Tin plated
7. Screwlock: Steel, Nickel plated

ELECTRICAL

1. Current Rating: 3AMP
2. Voltage Rating: 250V AC/rms 60Hz
3. Contact Resistance: 20mΩ max at 1 AMP DC
4. Insulation Resistance: 1000MΩ at 500 V DC
5. Withstand Voltage: 1000V AC/rms 60Hz for 1 minute
6. Operating Temperature: -55°C~+105°C

Order Code: A-Dx xx A/KG-xx * on request

Contact style:
 F - Female
 S - Male
 No. of Contacts
 09 / 15 / 25 / 37

- Version
- T2 - with locking bolts UNC (Gold flash full gold)
 - ⑦ T2S - with locking bolts UNC (Gold flash selective Sn)
 - T4 - without locking bolts *(Gold flash full gold)
 - ③ T4-2 - without locking bolts *(selective 15u" Au for 9&15P)
 - ⑦ T4S - without locking bolts *(Gold flash selective Sn)
 - Standard: Quality class III
 - ⑧ ④ T2A - with UNC screw of 5.8mm, NON-UL (Gold flash full gold)

Dimensions

Positions	A	B	C	E
9	30.81	24.99	16.92	11.08
15	39.20	33.30	25.25	19.39
25	53.05	47.04	38.96	33.24
37	69.40	63.50	55.42	49.86

7.2mm Footprint

RoHS compliant

Unit: mm

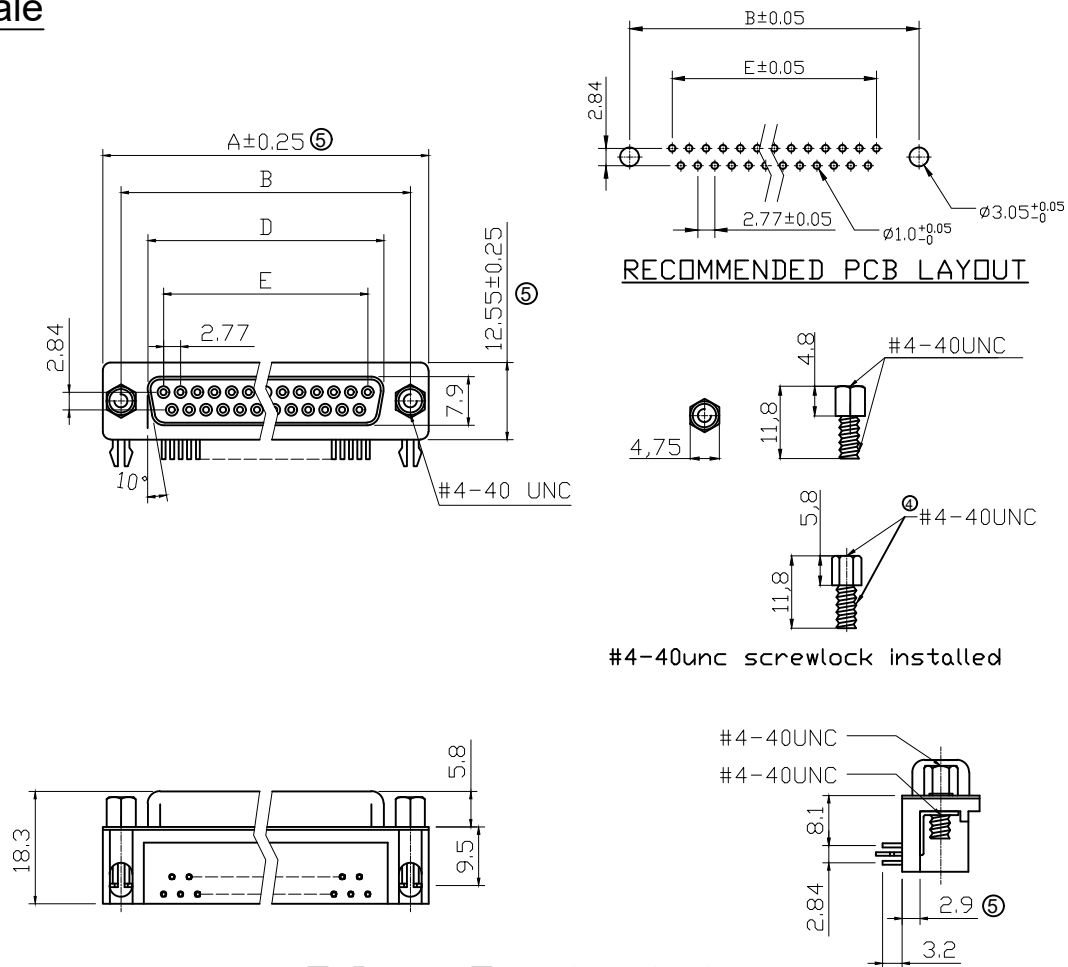


Scale	Free	⑧	Update the specification of T2A	29.03.2022	Daniel		Date	Name	Customer-No.
TOLERANCE		⑦	Update the description of plating	17.09.2021	Daniel	Drawn	15.08.2012	Lucas	ASSMANN WSW-No. A-Dx xx A/KG-T2/T2S/T4/T4-2/T4S/T2A
X.	±0.38	⑥	Add UL logo	27.02.2020	Winnie	Approved	29.03.2022	Daniel	
X.X	±0.25	⑤	Add insulator thickness, update tolerance and adjust profile	18.02.2019	Xavier				
DIM		TOL	④	Add the specification: T2A	13.06.2017	Winnie			
X.°	±3°	③	Add the plating specification 15u" Au	05.03.2015	Winnie				
X.X°	±1.0°	Id.	Modification	Date	Name				
Angle	TOL								ASS 4888 CO
									rev08
									Replace
									Sheet 1/2



ASS 4888 CO
 rev08
 Replace
 Sheet 1/2

Female



RECOMMENDED PCB LAYOUT

NOTES:

MATERIAL

- 1. Insulator Material: Glass-Filled Thermoplastic PBT , UL 94V-0, Black
 - 2. Contact Material : Copper alloy
 - ⑦ 3. Contact plating : See order code
 - 4. Shell : Steel, 100u" Tin over 50u" min copper
 - 5. Boardlock : Brass , Tin plated
 - 6. Screwlock: Steel, Nickel plated
- ELECTRICAL**
- 1. Current Rating : 3AMP
 - 2. Voltage Rating : 250V AC/rms 60Hz
 - 3. Contact Resistance: 20mΩ max at 1 AMP DC
 - 4. Insulation Resistance: 1000MΩ at 500 V DC
 - 5. Withstand Voltage : 1000V AC/rms 60Hz for 1 minute
 - ② 6. Operating Temperature: -55°C~+105°C

Order Code: A-Dx xx A/KG-xx * on request

- Contact style: F - Female
S - Male
No. of Contacts 09 / 15 / 25 / 37
- Version
T2 - with locking bolts UNC (Gold flash full gold)
⑦ T2S - with locking bolts UNC (Gold flash selective Sn)
T4 - without locking bolts *(Gold flash full gold)
③ T4-2 - without locking bolts *(selective 15u"Au for 9&15P)
⑦ T4S - without locking bolts *(Gold flash selective Sn)
Standard: Quality class III
⑧④ T2A - with UNC screw of 5.8mm, NON-UL (Gold flash full gold)

Dimensions

Positions	A	B	D	E
9	30.81	24.99	16.33	11.08
15	39.20	33.30	24.70	19.39
25	53.05	47.04	38.40	33.24
37	69.40	63.50	54.80	49.86

7.2mm Footprint

RoHS compliant

Unit: mm



Scale	Free	⑧	Update the specification of T2A	29.03.2022	Daniel	Date	Name	Customer-No.	
TOLERANCE		⑦	Update the description of plating	17.09.2021	Daniel	Drawn	15.08.2012	Lucas	
X.	±0.38	⑥	Add UL logo	27.02.2020	Winnie	Approved	29.03.2022	Daniel	
X.X	±0.25	⑤	Add insulator thickness, update tolerance and adjust profile	18.02.2019	Xavier				
X.XX	±0.13	④	Add the specification: T2A	13.06.2017	Winnie				
DIM	TOL	③	Add the plating specification 15u"Au	05.03.2015	Winnie				
X.°	±3°								
X.X°	±1.0°								
Angle	TOL	ld.	Modification	Date	Name			ASSMANN WSWW-No. A-Dx xx A/KG-T2/T2S/T4/T4-2/T4S/T2A	
								Drawing-No.	ASS 4888 CO
								Replace	Sheet 2/2



ASS 4888 CO

rev08

Replace

Sheet 2/2