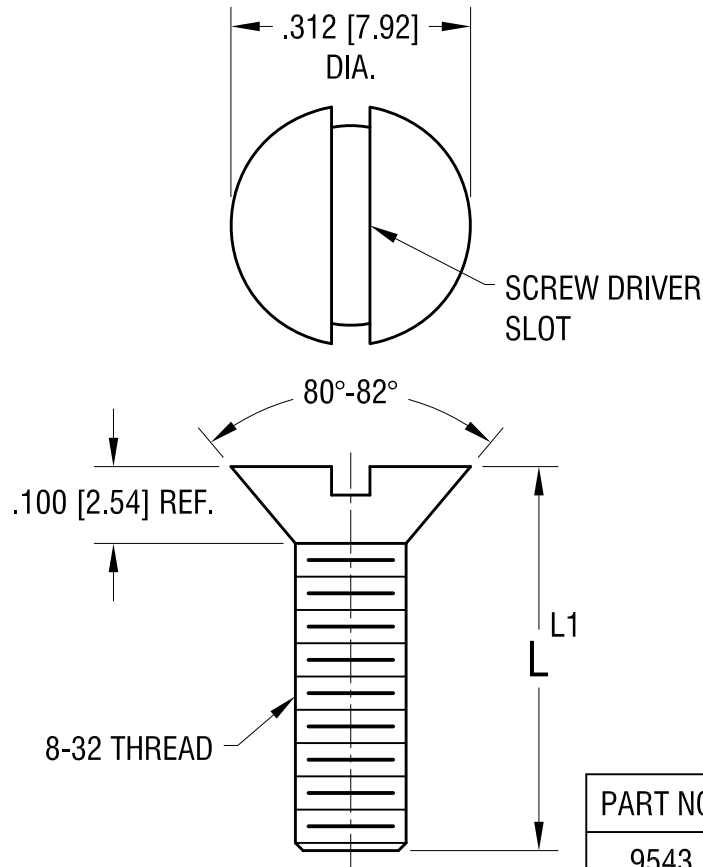


THIS DOCUMENT IS THE PROPERTY OF  
KEYSTONE ELECTRONICS CORP. AND  
SHALL NOT BE REPRODUCED, DISTRIBUTED  
OR USED AS A BASIS FOR MANUFACTURE  
WITHOUT PRIOR WRITTEN PERMISSION  
FROM KEYSTONE ELECTRONICS CORP.



PART NO.	'L' DIM.	'L1' TOL. +0.0
9543	.250 [6.25]	
9544	.375 [9.53]	-.020 [-0.50]
9545	.500 [12.70]	
9546	.625 [15.88]	
9547	.750 [19.05]	-.030 [-0.76]
9548	1.000 [25.40]	
9549	1.250 [31.75]	-.060 [-1.52]

**KEYSTONE ELECTRONICS CORP.**

www.keyelco.com • NEW HYDE PARK, NY 11040 • Tel (516) 328-7500

PART NAME			
8-32 FLAT HEAD SCREW			
MATERIAL			
NYLON 6/6			
FINISH		DRN BY	DATE
NONE		BOONE	3.01.04
		APP'D	SCALE
		LN	4X
TOLERANCES	INCH [MM]	CODE	DWG NO.
DECIMAL	± .020 [± 0.50]	C	9543-9549
ANGULAR	± 1°		
UNLESS OTHERWISE SPECIFIED			

DATE	DESCRIPTION	REV.
------	-------------	------