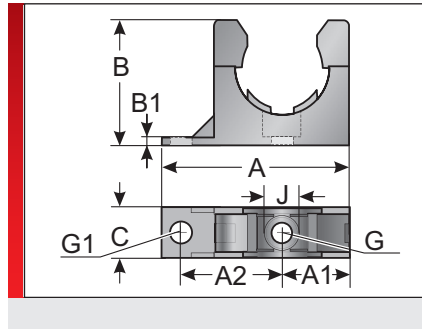


## Type UHG



Conduit holder

### PRODUCT INFORMATION

The UHG holder is made of specially modified polyamide. The material is halogen, phosphor and cadmium-free. The holder is used to fix cable protection conduits to equipment and machinery.

- The UHG holder features the following advantages:
- The additional flap can be used to prevent rotation of the holder
- Protective conduit are simply snapped in

- Optimum connection of conduit to holder thanks to double webs of holder
- Optional BL bracket for applications with high stresses

Specification:

- EN 45545-2:2013 3x HL3

### SPECIFICATIONS

- UL listed material Mod. polyamide PA 6
- 40 – 110 °C transient / short term 140 °C
- V0 self-extinguishing

Type	Order No.	Colour	Suitable for Murrflex	A mm	B mm	C mm	G mm	J mm	A1 mm	A2 mm	B1 mm	G1 mm	Pack qty.
<b>Suitable for Murrflex EW and EWX</b>													
UHG 09	83621250	Black	M12/P09	46.00	23.00	12.50	4.50	7.50	15.00	24.50	2.00	6.20	100
UHG 11	83621252	Black	M16/P11	46.00	23.00	12.50	4.50	7.50	15.00	24.50	2.00	6.20	100
UHG 16	83621254	Black	M20/P16(S)	50.00	30.00	15.00	5.50	9.50	17.50	27.00	2.50	6.20	100
UHG 21	83621256	Black	M25/P21(S)	57.00	38.00	16.00	6.50	11.50	21.00	30.70	2.50	6.20	100
UHG 29	83621258	Black	M32/P29(S)	67.00	43.50	16.00	6.50	11.50	25.50	35.30	3.00	6.20	50
UHG 36	83621260	Black	M40/P36(S)	77.00	51.00	18.50	6.50	11.50	30.50	40.00	3.50	6.20	50
UHG 48	83621262	Black	M50/P48(S)	89.00	64.00	19.00	6.50	11.50	37.00	46.50	3.50	6.20	50

### MATERIAL PROPERTIES

UL listed material Mod. polyamide PA 6

### THERMAL PROPERTIES

**Temperature / temperature range**  
-40 – 110 °C transient / short term 140 °C

### FIRE BEHAVIOUR

**Fire classification**  
V0 self-extinguishing

**Fire properties as per EN 45545-2: 2013**

C.I.T. R22 / R23 HL3 = 0,43  
LOI R22 / R23 HL3 = 33,8 %  
Ds (max.) R22 / R23 HL3 = 63

## Type UHG

### APPROVALS AND OPERATING PERMITS



Railway EU approval



GL approval

### TECHNICAL INFORMATION



Halogen-free

### CONFORMITY



RoHS (EC Directive 2002/95/EC)

### GENERAL INFORMATION



Made in Germany

All details given in our sales material prospectuses and catalogues as well as the information available online are based on our current knowledge of the products described.

The electronic data and files made available by Murrplastik, particularly CAD files are based on our current knowledge of the product described.

A legally binding assurance of certain properties or the suitability for a certain purpose can not be determined from this information.

All information with respect to the chemical and physical properties of Murrplastik products as well as application advice given verbally, in writing or by tests, is given to the best of our knowledge.

This does not free the purchaser of carrying out their own inspections and tests in order to determine the suitability of a product for a specific purpose.

Murrplastik accepts no responsibility for the available information being up-to-date, correct or complete. Neither do we accept responsibility for the quality of this information.

Murrplastik accepts no liability for damage caused as a result of using our products.

Murrplastik reserves the right to make technical changes and improvements through constant further development of products and services.

Our General Terms and Conditions apply.