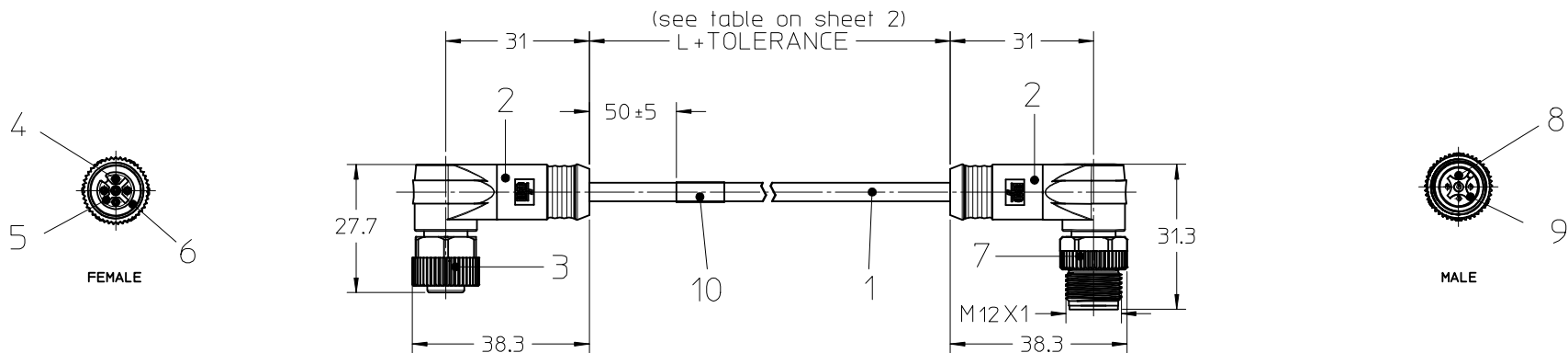


FEMALE M12 RIGHT ANGLE TO MALE M12 RIGHT ANGLE CORDSET



NOTES:

TEMPERATURE RANGE	SEE TABLE ON SHEET 2
CONTACT CURRENT RATING	3-5 POLES 4A 8 POLES 2A
VOLTAGE RATING	3-4 POLES 250V 5 POLES 60V 8 POLES 30V
PROTECTION CLASS	IP 67

TOLERANCES:	
≤ 1m	+40 mm
1m - 5m	+60 mm
5m - 10m	+80 mm
> 10m	+140 mm
> 20m	+160 mm
> 30m	+1%

Mating face view:

Shield connected to the housing

M12S 3 POLE	M12S 4 POLE	M12S 5 POLE	M12S 8 POLE
MALE	MALE	MALE	MALE
FEMALE	FEMALE	FEMALE	FEMALE
PIN # WIRE	PIN # WIRE	PIN # WIRE	PIN # WIRE
1 BROWN 2 - 3 BLUE 4 BLACK 5 -	1 BROWN 2 WHITE 3 BLUE 4 BLACK 5 -	1 BROWN 2 WHITE 3 BLUE 4 BLACK 5 GREY	1 WHITE 2 BROWN 3 GREEN 4 YELLOW 5 GREY 6 PINK 7 BLUE 8 RED
CODING REQUIRED TO IEC 61076-2-101			

Bill of Materials

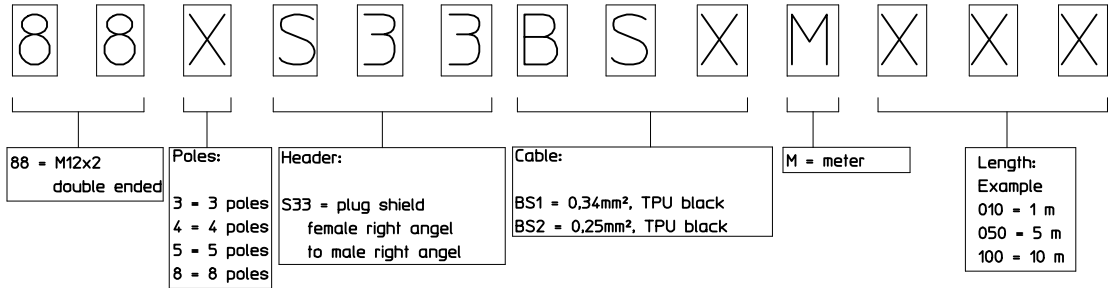
ITEM	QTY.	DESCRIPTION	MATERIAL	FINISH
10	1	LABEL	-	-
9	1	INSERT XP MALE M12 SHIELD	PUR	BLACK
8	X	PIN MALE	BRASS	GOLD OVER NICKEL
7	1	KNU/HEX NUT M12 MALE	BRASS	CuNi3B
6	1	O-RING	FPM	RED
5	1	INSERT XP FEMALE M12 SHIELD	PUR	BLACK
4	X	CONTACT FEMALE	BRASS	GOLD OVER NICKEL
3	1	KNU/HEX NUT M12 FEMALE	BRASS	CuNi3B
2	-	OVERMOULD	TPU	BLACK
1	-	CABLE	SEE TABLE (SHEET 2)	-
ITEM	QTY.	DESCRIPTION	MATERIAL	FINISH

ORIGINAL RELEASE EC NO: IPG2015-0505 DRW:WSTRASZKIEWI 2014/12/10 CHKD:JMARSZALEK 2014/12/10 APPR:MIWASIECZKO 2014/12/11	QUALITY SYMBOLS ▽=0 ◻=0	GENERAL TOLERANCES (UNLESS SPECIFIED)		DIMENSION STYLE		SCALE	DESIGN UNITS	THIRD ANGLE PROJECTION	
				MM ONLY		---	METRIC		
				mm	INCH	DRAWN BY	DATE		TITLE
						WSTRASZKIEWI 2014/12/10			
				CHECKED BY		DATE	CSE M12 M12 XP AC FE RA TPU MA RA XM		
				JMARSZALEK		2014/12/10			
				APPROVED BY		DATE			
				MIWASIECZKO		2014/12/11	molex DOCUMENT NO. SD-120069-031 SHEET NO. 1 OF 2		
				MATERIAL NO.		SEE TABLE			
				ANGULAR ± 1 °		THIS DRAWING CONTAINS INFORMATION THAT IS PROPRIETARY TO MOLEX INCORPORATED AND SHOULD NOT BE USED WITHOUT WRITTEN PERMISSION			
				DRAFT WHERE APPLICABLE MUST REMAIN WITHIN DIMENSIONS					

PART LIST

MOLEX PN	ENGINEERING No.	CABLE LENGTH "L" IN M
1200698704	883S33BS1M010	1M
1200698705	883S33BS1M020	2M
1200698706	883S33BS1M030	3M
1200698707	883S33BS1M050	5M
1200698708	883S33BS1M100	10M
1200698709	884S33BS1M010	1M
1200698710	884S33BS1M020	2M
1200698711	884S33BS1M030	3M
1200698712	884S33BS1M050	5M
1200698713	884S33BS1M100	10M
1200698714	885S33BS1M010	1M
1200698715	885S33BS1M020	2M
1200698716	885S33BS1M030	3M
1200698717	885S33BS1M050	5M
1200698718	885S33BS1M100	10M
1200698719	888S33BS2M010	1M
1200698720	888S33BS2M020	2M
1200698721	888S33BS2M030	3M
1200698722	888S33BS2M050	5M
1200698723	888S33BS2M100	10M

NUMERICAL CODE



CABLE SPECIFICATION

CABLE TYPE	WIRE GAUGE	CABLE JACKET	UL	CSA	static	flexing	drag chain tested	shield	other
BS1 3P, 4P, 5P	0.34mm ²	TPU black	STYLE 21215	yes	-40°C to +90°C 5xD	-25°C to +80°C 7.5xD	5 mio cycles	braid	WELD SLAG RESISTANCE
BS2 8P	0.25mm ²	TPU black	STYLE 21215	yes	-40°C to +90°C 5xD	-25°C to +80°C 7.5xD	5 mio cycles	braid	WELD SLAG RESISTANCE

For Raw Cable Specification see SD-120209-003

ORIGINAL RELEASE EC NO: IPG2015-0505 DRWN:WSTRASZKIEWI 2014/12/10 CHKD:JMARSZALEK 2014/12/10 APPR:MIWASIECZKO 2014/12/11	DESCRIPTION REV	QUALITY SYMBOLS	GENERAL TOLERANCES (UNLESS SPECIFIED)	DIMENSION STYLE	SCALE	DESIGN UNITS	THIRD ANGLE PROJECTION
		▼=0 ◻=0	mm INCH	MM ONLY	---	METRIC	☉ ◻ THIRD ANGLE PROJECTION
		4 PLACES	± --- ± ---	DRAWN BY DATE	TITLE CSE M12 M12 XP AC FE RA TPU MA RA XM molex		
		3 PLACES	± --- ± ---	CHECKED BY DATE			
		2 PLACES	± --- ± ---	APPROVED BY DATE			
1 PLACE	± --- ± ---	MATERIAL NO.					
0 PLACE	± --- ± ---	DOCUMENT NO.					
ANGULAR ± 1 °	DRAFT WHERE APPLICABLE MUST REMAIN WITHIN DIMENSIONS	SEE TABLE	SD-120069-031	SHEET NO. 2 OF 2			
		SIZE	THIS DRAWING CONTAINS INFORMATION THAT IS PROPRIETARY TO MOLEX INCORPORATED AND SHOULD NOT BE USED WITHOUT WRITTEN PERMISSION				