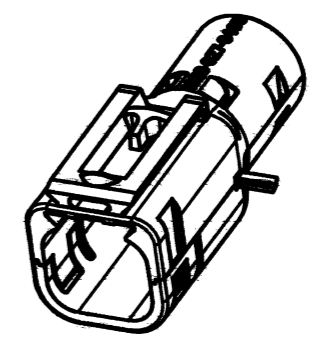
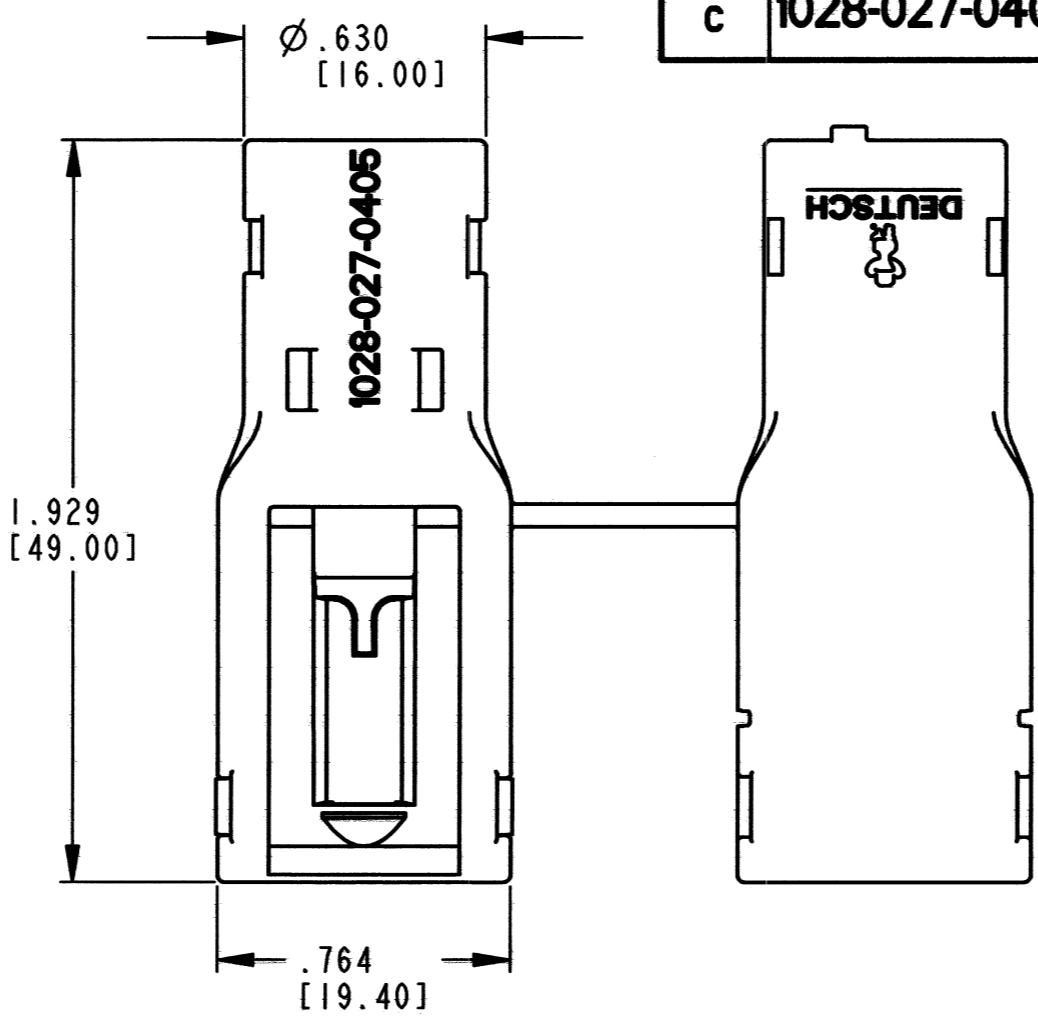
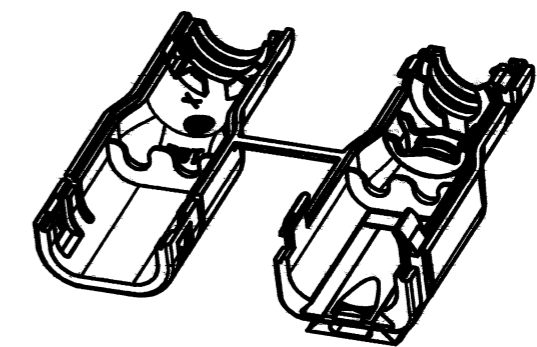


REV
C 1028-027-0405

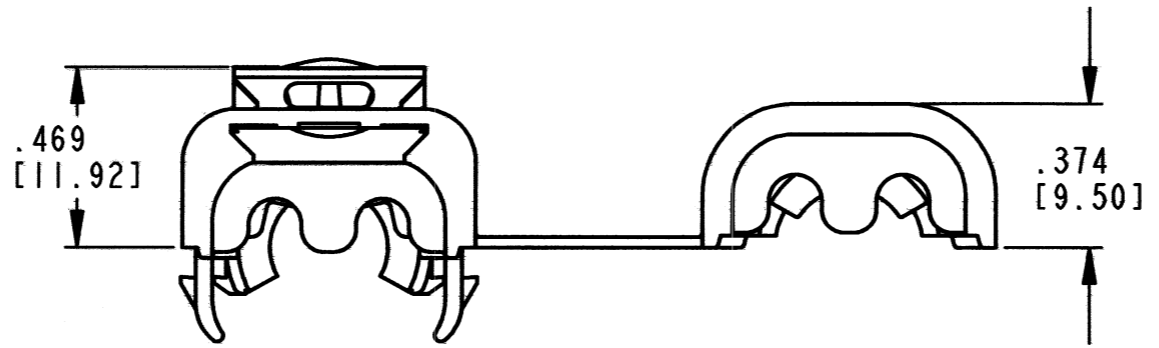
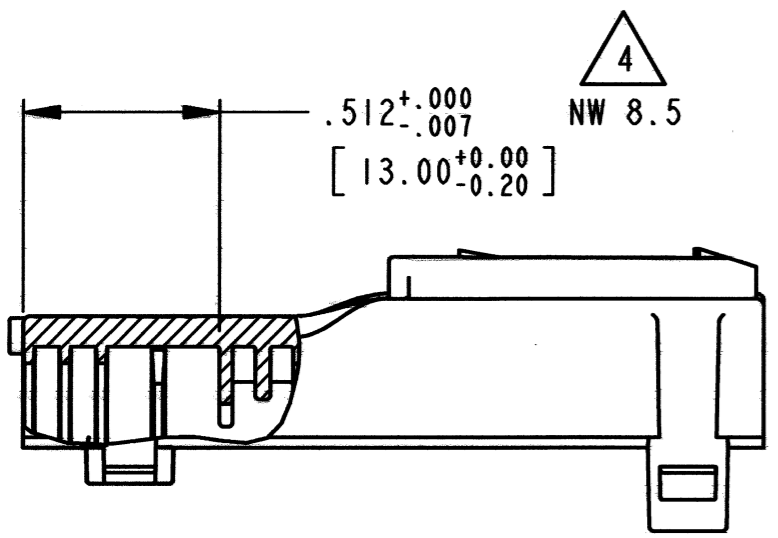
REVISIONS			
SYM	DESCRIPTION	DATE	APPROVED
C	REVISED/REDRAWN PER E.O. P21157	5-1-12	RDR



3D VIEW
CLOSED



3D VIEW
OPEN



4. DIMENSION SHOWN INDICATES PROPER DEPTH TO ASSEMBLE NOTED CONVOLUTE TUBE SIZE.
3. MATERIAL: PLASTIC; COLOR: BLACK
2. THIS PART MATES WITH DTM04-4P*-**** AND DTMH04-4P*-**** RECEPTACLE WITH ANY MODIFICATION THAT DOES NOT INCLUDE AN END CAP.
(* = KEY ARR. A,B,C,D; **** = MODIFICATION)

NOTES: 1. ALL DIMENSIONS ARE IN INCHES [MILLIMETERS] AND ARE ±.025[0.64] UNLESS OTHERWISE SPECIFIED.

SIGNATURE & DATE	
DR	A. MALAGON 10OCT11
CHK	B. Byford 4/30/12
PE	R. Malagon 4/30/12
APPD	S. Beard 4/30/12
SCALE	NONE
WT	

**BACKSHELL
SWIVEL ADAPTER
4 PIN RECEPTACLE
DTM/DTMH SERIES**

ENVELOPE

EP	MATL. CODE
3850 INDUSTRIAL AVE. HEMET, CA 92545	
B	1028-027-0405
DWG SIZE	CODE 11139 SHEET OF

