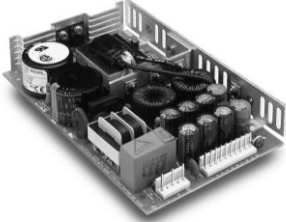


115 WATTS

SRW-115 SERIES AC-DC

FEATURES:

- RoHS Compliant
- Universal 85-264 VAC Input
- Compact 4.25" x 7" x 1.25" Size
- 2 Year Warranty
- Fits 1U Applications
- One to Four Outputs
- EN 60950-1 ITE Certification
- Class B Emissions per EN 55022
- Optional Chassis and Cover








OPEN CHASSIS



CHASSIS/COVER

SAFETY SPECIFICATIONS

General	Protection Class: I Overvoltage Category: II Pollution Degree: 2
 Underwriters Laboratories File E137708	UL 60950-1 2 nd Edition, 2007 CAN/CSA-C22.2 No. 60950-1-07, 2nd Edition
 CB Reports/Certificates (including all National and Group Deviations)	IEC 62368-1:2014 2 ND Edition
 TUV SUD America	EN 62368-1:2014 2 ND Edition
 Low Voltage Directive RoHS Directive (Recast)	(2014/35/EU of February 2014) (2015/863/EU of March 2015)
 Electrical Equipment (Safety) Regulations 2016 SI No. 1101 Restriction of the Use of Certain Hazardous Substances in EEE Regulations 2012 SI No. 3032 + 2019 SI No.492	

MODEL LISTING

MODEL NO.	OUTPUT 1	OUTPUT 2	OUTPUT 3	OUTPUT 4
SRW-115-4001	+5V/12A	-5V/4A	+12V/4A	-12V/2A
SRW-115-4002	+5V/12A	+24V/1A	+12V/4A	-12V/2A
SRW-115-4003	+5V/12A	-5V/4A	+15V/3A	-15V/2A
SRW-115-4004	+5V/12A	+24V/1A	+15V/3A	-15V/2A
SRW-115-4005	+5V/12A	+12V/1A	+24V/3A	-12V/1A
SRW-115-4006	+5V/12A	+12V/3A	+15V/2A	-15V/2A
SRW-115-4008	+24V/2A	+5V/3A	+5V/2A	-24V/2A
SRW-115-4011	+5V/5A	+15V/1A	+24V/5A	-15V/1A
SRW-115-4016	+5.2V/12A	-2V/9A	12V/4A	-12V/2A
SRW-115-4020	+15V/3A	-15V/2A	+36V/1.5A	3.3V/1A
SRW-115-3001	+5V/12A		+12V/4A	-12V/2A
SRW-115-3002	+5V/12A		+15V/4A	-15V/2A
SRW-115-3003	+5V/12A		+24V/3A	-12V/1A
SRW-115-3004	+5V/12A	+24V/1A	+12V/6A	
SRW-115-3005	+15V/3A	-15V/2A	+24V/2A	
SRW-115-3006	+15V/3A	-15V/2A	+36V/1.5A	
SRW-115-3007	+5V/14A	-5V/4A	+12V/4A	
SRW-115-2001	+5V/12A		+24V/3A	
SRW-115-2002	+12V/5A			-12V/5A
SRW-115-2003	+15V/5A			-15V/5A
SRW-115-2004	+24V/2.5A			-24V/2.5A
SRW-115-2006	+5V/12A		+12V/5A	
SRW-115-2007	+17V/3.4A			-17V/3.4A
SRW-115-2011	+28V/2A			-28V/2A
SRW-115-2012	+12V/8A			12V/2A

ORDERING INFORMATION

Please specify the following optional features when ordering:

- | | |
|-----------------|------------------------------|
| CH - Chassis | OVP - Overvoltage protection |
| CO - Cover | I/O - Isolated outputs |
| PF - Power Fail | TS - Terminal Strip |

OUTPUT SPECIFICATIONS

Total Output Power at 50°C	115W	
Output Voltage Centering	Output 1:	± 1.0% (All outputs at 50% load)
	Output 2:	± 5.0%
	Output 3:	± 5.0%
	Output 4:	± 5.0%
Output Voltage Adjust Range	Output 1:	95 - 105%
Load Regulation	Output 1:	1.0% (10-100% load change)
	Output 2:	5.0% (10-100% load change)
	Output 3:	5.0% (10-100% load change)
	Output 4:	5.0% (10-100% load change)
Source Regulation	Outputs 1 - 4:	0.5%
Cross Regulation	Output 2:	5.0% (Output 1 load varied 50-100%)
	Output 3:	5.0%
	Output 4:	5.0%
Output Noise	Outputs 1 - 4:	1.0%
Turn on Overshoot	None	
Transient Response	Outputs 1 - 4	
Voltage Deviation	5.0%	
Recovery Time	2mS	
Load Change	50% to 100%	
Output Overvoltage Protection (optional)	Output 1:	110% to 150%
Output Overpower Protection	Outputs 1-4:	110% Min. Outputs cycle on/off, auto recovery
Hold Up Time	16 mS min., 115W output, 120V Input	
Start Up Time	1 Second	

INPUT SPECIFICATIONS

Source Voltage	85 - 264 Volts AC	
Frequency Range	47 - 63 Hz	
Source Current		
True RMS	3.5A at 85V Input	
Peak Inrush	40A	
Efficiency	.72-.80, (varies by model)	

ENVIRONMENTAL SPECIFICATIONS

Ambient Operating	0° C to + 50° C	
Temperature Range	Derating: See Power Rating Chart	
Storage Temp. Range	-40° C to + 85° C	
Temperature Coefficient	Outputs 1 - 4:	0.02%/°C
Conducted Emissions	EN 55022 Class B	

GENERAL SPECIFICATIONS

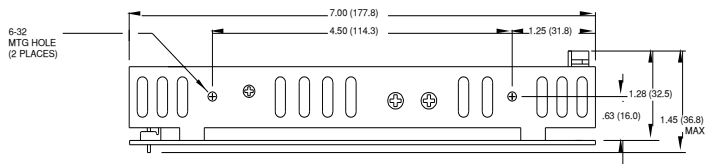
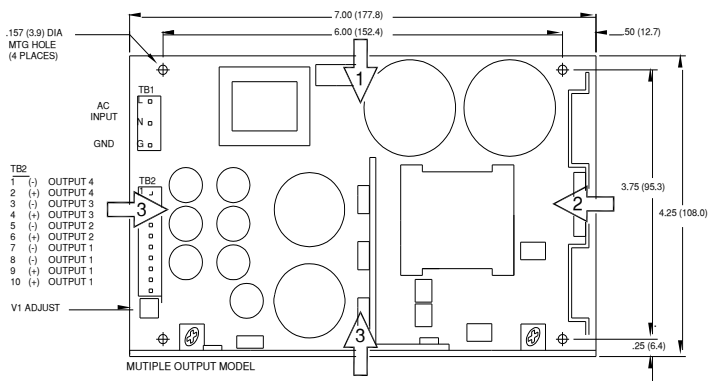
Dielectric Strength(7)		
Reinforced Insulation	4242 VDC, Primary to Secondary, 1 Sec.	
Basic Insulation	2121 VDC, Primary to Ground, 1 Sec.	
Operational Insulation	500 VDC, Secondary to Ground, 1 Sec.	
Power Fail Signal (Optional)	Logic low with input power failure 2 mS minimum prior to Output 1 dropping 1%	
Mean-Time Between Failures	150,000 Hours min., MIL-HDBK-217F, 25° C, GB	
Weight	1.30 Lbs.	Open Frame
	2.25 Lbs.	Chassis and Cover

NOTES

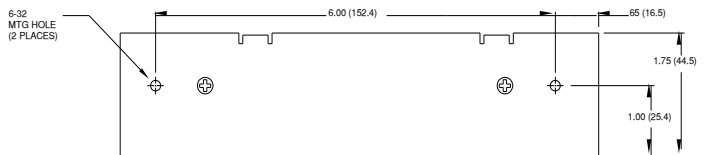
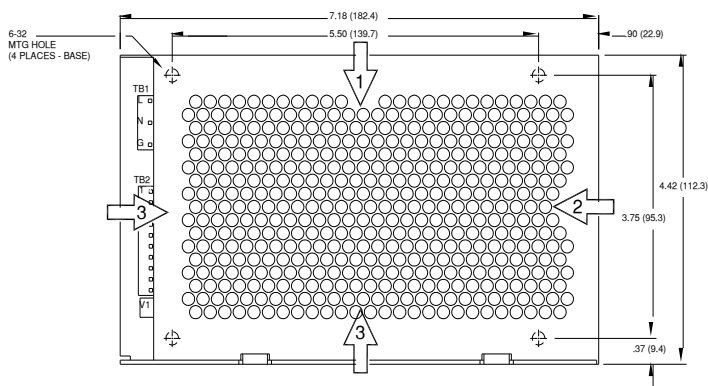
Consult factory for alternate output configurations.
Consult factory for positive, negative or floating outputs.
Refer to Applications Information for complete output power ratings.
All specifications are maximum at 25° C, 115W unless otherwise stated, may vary by model and are subject to change without notice.
TUV only: SRW-115-4016

SRW-115 SERIES MECHANICAL SPECIFICATIONS

OPEN FRAME



OPTIONAL CHASSIS/COVER

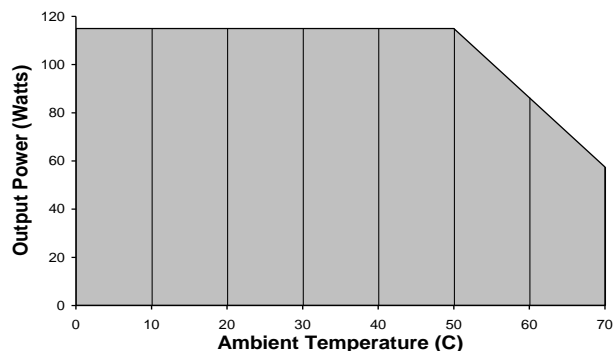


ALL DIMENSIONS IN INCHES (MM)

APPLICATIONS INFORMATION

- Each output can deliver its rated load but total output power must not exceed 115 watts.
- Semiconductor case temperatures must not exceed 110°C.
- Sufficient area must be provided around convection cooled power supplies to allow natural movement of air to develop.
- This product is intended for use as a professionally installed component within information technology.
- A minimum load of 20% is required on output one to insure proper regulation of remaining outputs.
- Peak to peak output ripple and noise is measured directly at the output terminals of the power supply, without the use of the probe ground lead or retractable tip, 20 MHz bandwidth.
- This product was type tested and safety certified using the dielectric strength test voltages listed in Table 5B of UL 60950-1. In consideration of Clause 5.2.2, care must be taken to insure that the voltage applied to a reinforced insulation does not overstress basic insulation. Secondary to ground capacitors may need to be removed prior to performing a dielectric strength type test on the end product. It is highly recommended that the DC equivalent test voltages be used when performing a production-line dielectric strength test of the assembled end product. Please consult factory for further information.
- This power supply has been safety approved and final tested using a DC dielectric strength test. Please consult factory before performing an AC dielectric strength test.
- Maximum screw penetration into mounting holes is .250 inches.

MAXIMUM OUTPUT POWER VS. AMBIENT TEMPERATURE



CONNECTOR SPECIFICATIONS

TB1/G	AC Input	.156 friction lock header mates with Molex 09-50-3051 or equivalent crimp terminal housing with Molex 08-50-0189 or equivalent crimp terminal.
TB2	DC Output	.156 friction lock header mates with Molex 09-50-3101 or equivalent crimp terminal housing with Molex 08-50-0189 or equivalent crimp terminal.
PF		power fail signal.
TB2-7,8		power fail signal return.

RECOMMENDED AIR FLOW DIRECTION

- 1 – Optimum 2 – Good 3 – Fair