

R95-123



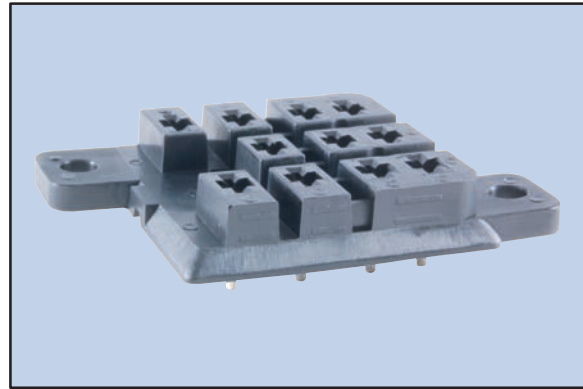
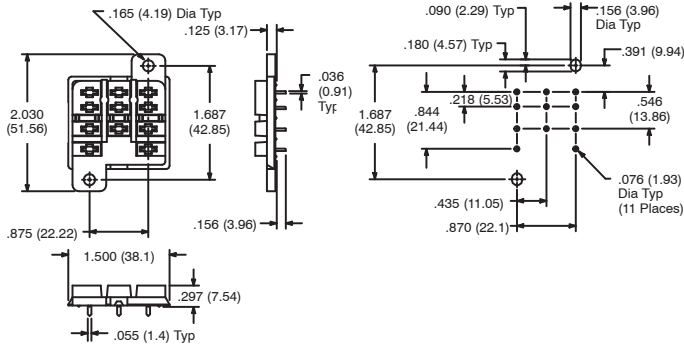
11-Pin Blade Socket

Features

- P.C. Board Mount
- Accepts .187" Blade Terminals
- 3PDT, DPDT & SPDT Applications

Electrical Rating:

300 Volts, 10 Amps



R95-124



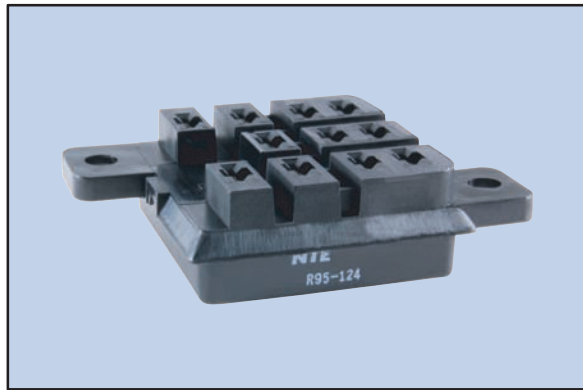
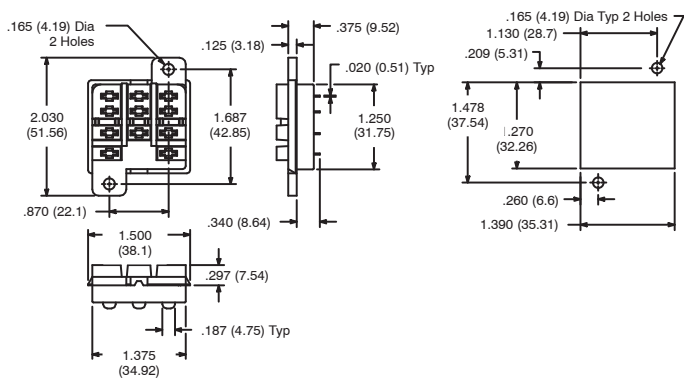
11-Pin Blade Socket

Features

- Panel Mount
- Accepts .187" Blade Terminals
- Quick disconnect terminals

Electrical Rating:

300 Volts, 10 Amps



R95-125

Prepunched Aluminum DIN Rail

Features

- Available in 1 Meter Lengths

