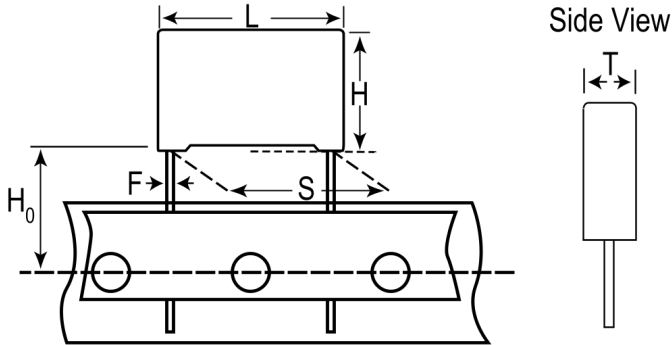


## R76QD1100CK40J

Aliases (76QD1100CK40J)

R76, Film, Double Metallized Polypropylene, Automotive Grade, 1000 pF, 5%, 1000 VDC, 85°C, Lead Spacing = 7.5mm



Click [here](#) for the 3D model.

### Dimensions

|                |                  |
|----------------|------------------|
| L              | 10mm +0.2/-0.5mm |
| H              | 9mm +0.1/-0.5mm  |
| T              | 4mm +0.1/-0.5mm  |
| S              | 7.5mm +/-0.4mm   |
| H <sub>0</sub> | 18.5mm +/-0.5mm  |
| F              | 0.6mm +/-0.05mm  |

### Packaging Specifications

|                    |      |
|--------------------|------|
| Packaging          | T&R  |
| Packaging Quantity | 1500 |

### General Information

|                  |                                 |
|------------------|---------------------------------|
| Series           | R76                             |
| Dielectric       | Double Metallized Polypropylene |
| Style            | Radial                          |
| Features         | Automotive Grade, Pulse         |
| RoHS             | Yes                             |
| Lead             | Wire Leads                      |
| Qualifications   | AEC-Q200                        |
| AEC-Q200         | Yes                             |
| Component Weight | 0.567 g                         |

### Specifications

|                       |                                      |
|-----------------------|--------------------------------------|
| Capacitance           | 1000 pF                              |
| Capacitance Tolerance | 5%                                   |
| Voltage AC            | 400 VAC                              |
| Voltage DC            | 1000 VDC                             |
| Temperature Range     | -55/+110°C                           |
| Rated Temperature     | 85°C                                 |
| Dissipation Factor    | 0.03% 1kHz, 0.04% 10kHz, 0.1% 100kHz |
| Insulation Resistance | 100 GOhms                            |
| Max dV/dt             | 6000 V/us                            |
| Resistance            | 636.62 mOhms (100kHz)                |
| Ripple Current        | 0.3 Amps (100kHz 85C), 6 Amps (Peak) |
| Inductance            | 8 nH                                 |