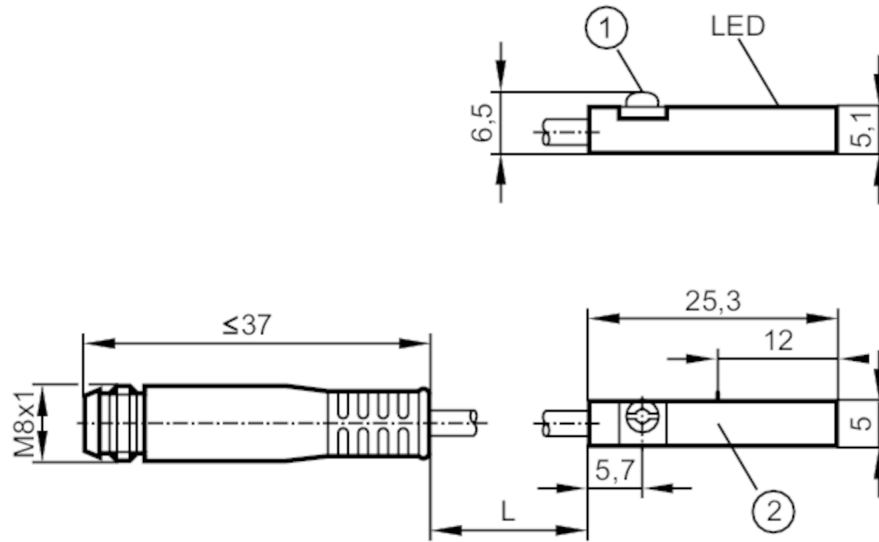


MK5138



T-slot cylinder sensor

MKT3020BBPKG/A/0,3M/ZH/AS



- 1 fastening clamp
- 2 sensing face



Product characteristics

Electrical design	PNP
Output function	normally open
Dimensions [mm]	25 x 5 x 6.5

Electrical data

Operating voltage [V]	10...30 DC; ("supply class 2" to cULus)
Current consumption [mA]	< 10
Protection class	III
Reverse polarity protection	yes
Max. power-on delay time [ms]	30

Outputs

Electrical design	PNP
Output function	normally open
Max. voltage drop switching output DC [V]	2.5
Permanent current rating of switching output DC [mA]	100
Switching frequency DC [Hz]	6000
Short-circuit protection	yes
Overload protection	yes

Detection zone

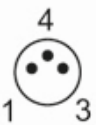
Response sensitivity [mT]	2
Travel speed [m/s]	> 10

MK5138



T-slot cylinder sensor

MKT3020BBPKG/A/0,3M/ZH/AS

Accuracy / deviations		
Hysteresis	[mm]	< 1
Repeatability	[mm]	< 0.2
Operating conditions		
Ambient temperature	[°C]	-25...85
Protection		IP 65; IP 67
Tests / approvals		
EMC	EN 61000-4-2 ESD	- CD / 8 kV AD
	EN 61000-4-3 HF radiated	10 V/m
	EN 61000-4-4 Burst	2 kV
	EN 61000-4-6 HF conducted	10 V
	EN 55011	class B
MTTF	[years]	2064
UL approval	UL Approval no.	C003
Mechanical data		
Weight	[g]	12.1
Mounting		flush mountable
Type of mounting		fastening clamp with combined slot / hexagon socket, width across flats 1.5
Cylinder type		T-slot cylinders
Dimensions	[mm]	25 x 5 x 6.5
Materials		housing: PA; fastening clamp: stainless steel
Displays / operating elements		
Display	switching status	1 x LED, yellow
Accessories		
Items supplied		rubber placeholder: 1
		Cable clip: 1
Remarks		
Pack quantity		1 pcs.
Electrical connection - plug		
Cable: 0.3 m, PUR		
Connector: 1 x M8; Locking: snap-fit		
		

MK5138

T-slot cylinder sensor

MKT3020BBPKG/A/0,3M/ZH/AS



Connection

