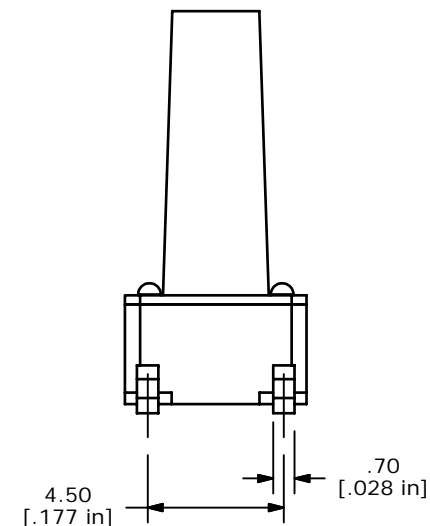
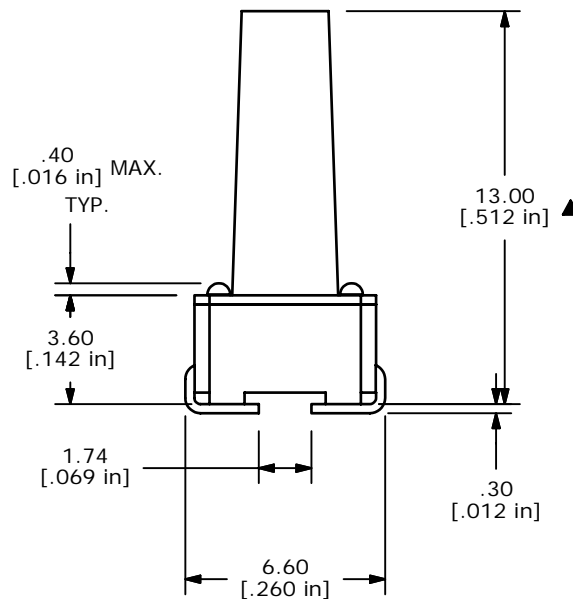
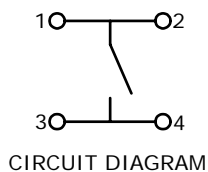


ISOMETRIC



NOTES:

1. ALL DIMENSIONS IN MM
2. GENERAL TOLERANCE: X.X=±0.4
X.XX=±0.25
3. TERM. NOS. FOR REFERENCE ONLY.
4. RATING: 12VDC, 50mA
- ▲ 5. OPERATING FORCE: 65 GRAMS
6. TRAVEL: 0.25 +0.2/-0.1mm
7. CONTACT RESISTANCE: 50 MILLI OHMS MAX. (INITIAL)
8. LIFE: 5 MILLION CYCLES
- ▲ 9. CONTACT MATERIAL: SILVER
- ▲ 10. PACKAGE: 750 PIECES PER POLY BAG
11. ▲ DENOTES CRITICAL PARAMETER
12. 2002/95/EC (ROHS) COMPLIANT

E-SWITCH®

B	16689	UPDATED NOTES	11/22/2006	TN
A	16545	RELEASED FOR PRODUCTION	11/02/2006	TN
REV	PCR NO	DESCRIPTION	DATE	BY

TITLE LL3301DF065QJ				
SCALE	DATE	DR	DWG	REV
4:1	11/22/2006	TN	P010454	B

THE INFORMATION CONTAINED IN THIS DOCUMENT IS PROPRIETARY TO E-SWITCH AND IS NOT TO BE COPIED OR TRANSFERRED