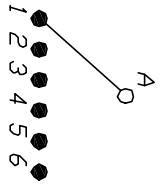
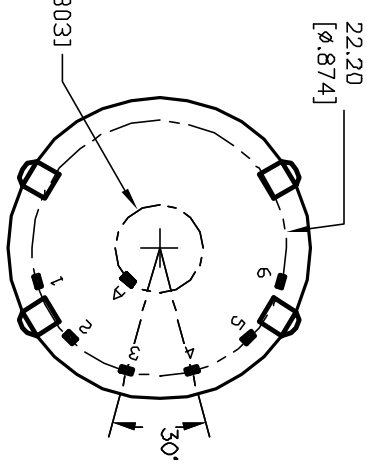
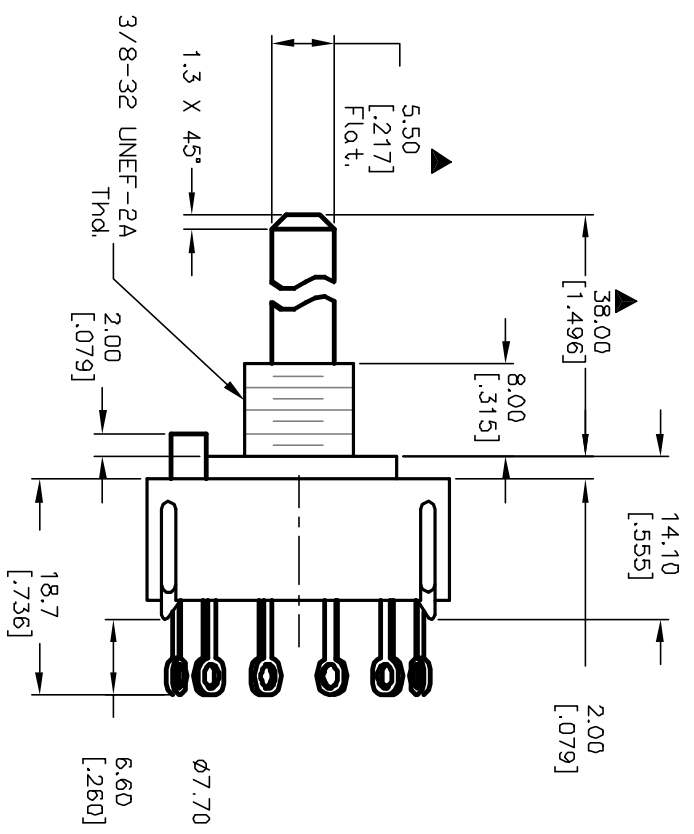
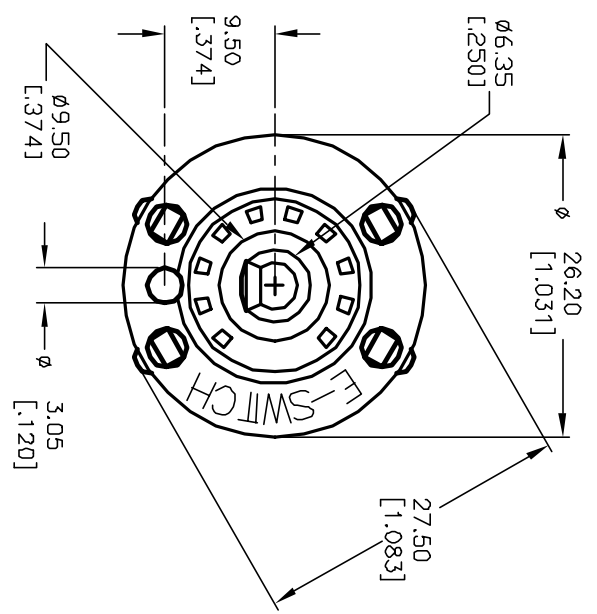
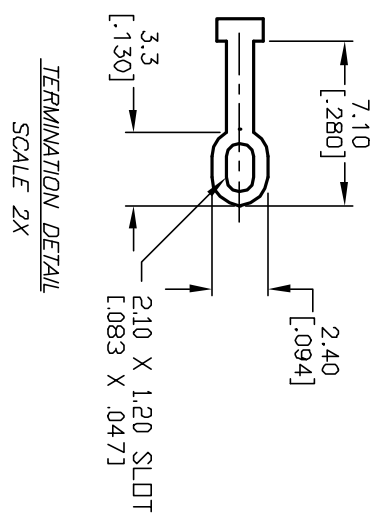


- NOTES:
1. ALL DIMENSION IN MM [INCH]
 2. GENERAL TOLERANCE: X.X=±0.4
X.XX=±0.25
 3. TERM. NOS. FOR REF. ONLY
 4. CONTACT RATING SWITCHING: 150mA, 250V AC/DC
350mA, 110V AC/DC
 5. CONTACT RATING (NON SWITCHING): 5A
 6. OPERATING FORCE: 425±100 CM/STANDARD
 7. OPERATING TEMP: -30° to 85°C
 8. CIRCUIT SP: 6 POSITIONS, 30° INDEX.
 9. DIELECTRIC STRENGTH: 1000V RMS min. @Sea Level
 10. DESIGNATE MAJOR DIMENSIONS
 11. SUPPLIED HARDWARE: LOCK NUT AND WASHER (NOT SHOWN).



CONTACT CONFIGURATION
Timing: Shorting (MBB)



REV. B		12615		REVISIED DESC. PER CATALOG		12/5/02		CJB	
REV. A		ECN No.		DESCRIPTION		DATE		CHKD	
THE INFORMATION CONTAINED IN THIS DOCUMENT IS PROPRIETARY TO E-SWITCH AND IS NOT TO BE COPIED OR TRANSFERRED									
TITLE				KC-16-A-(30.0mm) 01-S-L-S					
SCALE				1.5:1					
DATE				5/29/01					
DR				CJB					
DWG				G510704					
REV				B					

E-SWITCH®