

Notes:

- ⑧ Important Dimension To Check
- Waterproof Rate: IP67
- LED Holder: Copper Alloy, Nickel Plating
- LED Spec:
 - ø3mm, Super Bright, Red/Green, Bi-Color LED
 - Lens Color: Water Clear
- ② Forward Voltage: Red Typ. 2.05V/Max.2.5(V)
Green Typ. 3.4V/Max.3.8(V)
- Forward Current: Red Typ. 35mA
Green Typ. 20mA
- Luminous Intensity: Red Typ.1000(Mcd)
Green Typ.2000(Mcd)
- Reverse Voltage: DC 5V
- Operating Temperature: -30~+80°C
- O-Ring: Silicone, Gray
- Screw Nut: Copper Alloy, Nickel Plating
- For Panel Thickness 6.5 max.

RoHS compliant

Scale	Free						Date	Name	Customer-No.		
TOLERANCE						Drawn	06.03.2014	Winnie			
TOL	±0.50					Approved	04.03.2022	Segal	ASSMANN WSW-No. A-LED8-1AAAS-MR7-1		
		②	Update	04.03.2022	Segal						
Angle	±3°	①	Update the dimension	22.07.2016	Winnie						
		③	Drawn	06.03.2014	Winnie						
		Id.	Modification	Date	Name	<table border="1"> <tr> <td>Replace</td> <td>Sheet 1/2</td> </tr> </table>				Replace	Sheet 1/2
Replace	Sheet 1/2										

1

2

3

4

5

6

7

A

A

B

B

C

C

D

D

E

E

F

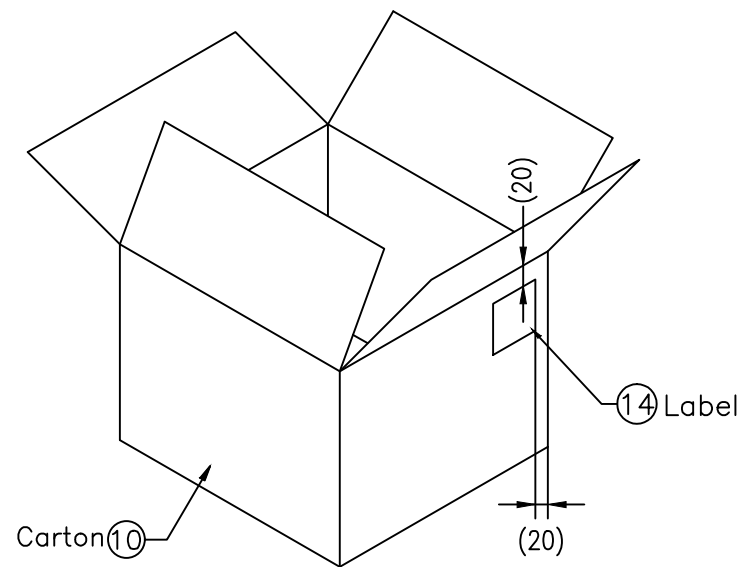
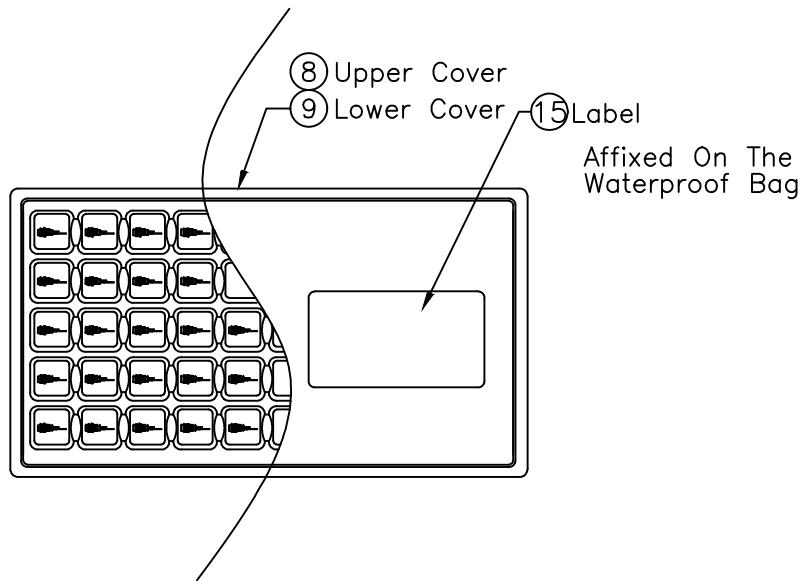
F

G

G

H

H



RoHS compliant

②	Scale	Free					Date	Name	Customer-No.
	TOLERANCE						Drawn	06.03.2014	Winnie
	TOL	±0.50				Approved	04.03.2022	Segal	
			②	Update	04.03.2022	Segal			Drawing-No. ASS 6223 CO rev02
	Angle	±3°	①	Update the dimension	22.07.2016	Winnie			
			⑩	Drawn	06.03.2014	Winnie			Replace
			Id.	Modification	Date	Name			

1

2

3

4

5

6

7