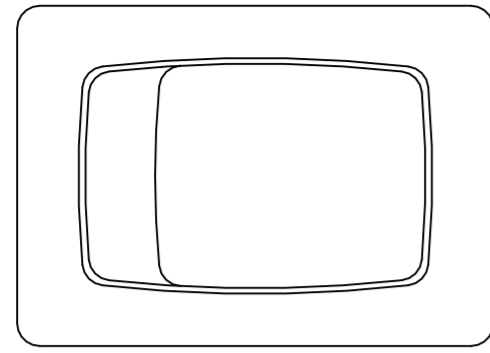
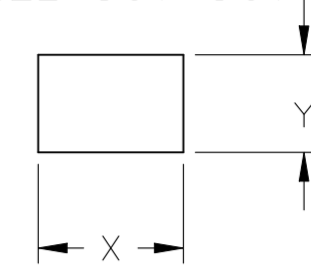


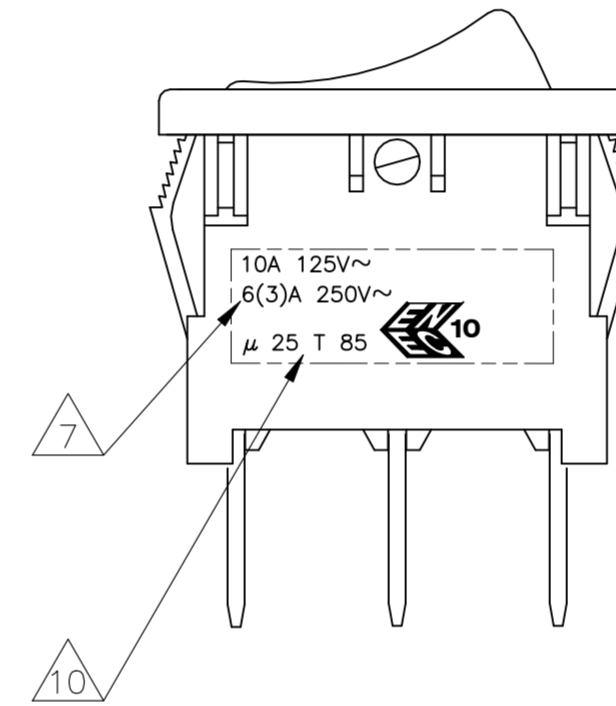
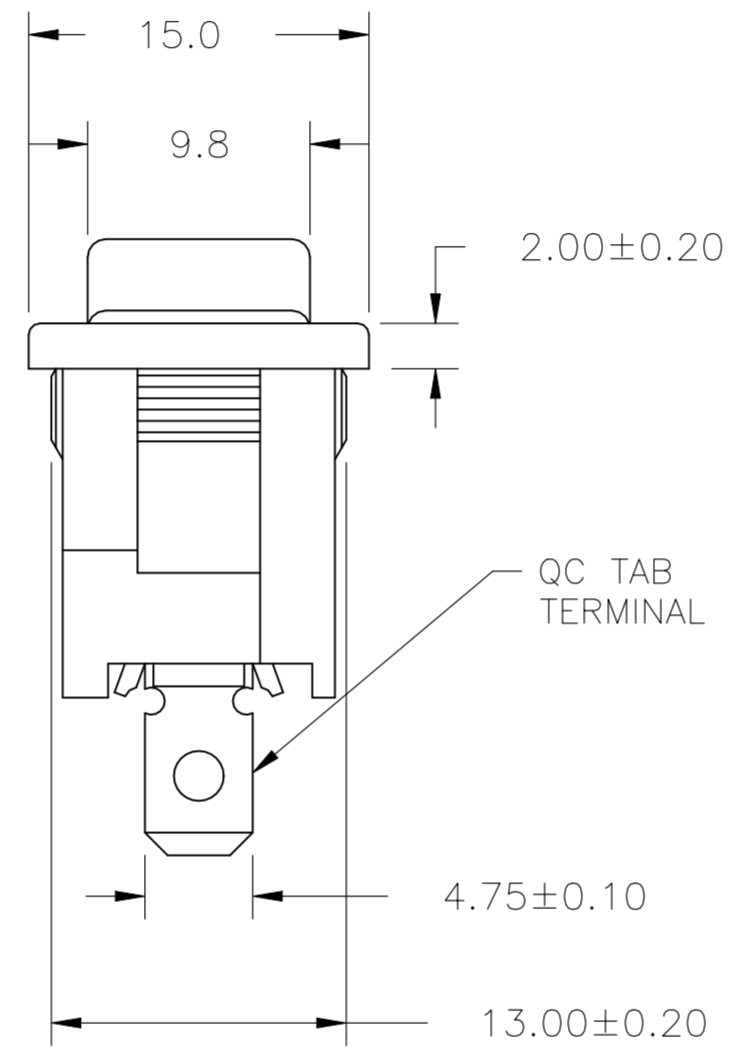
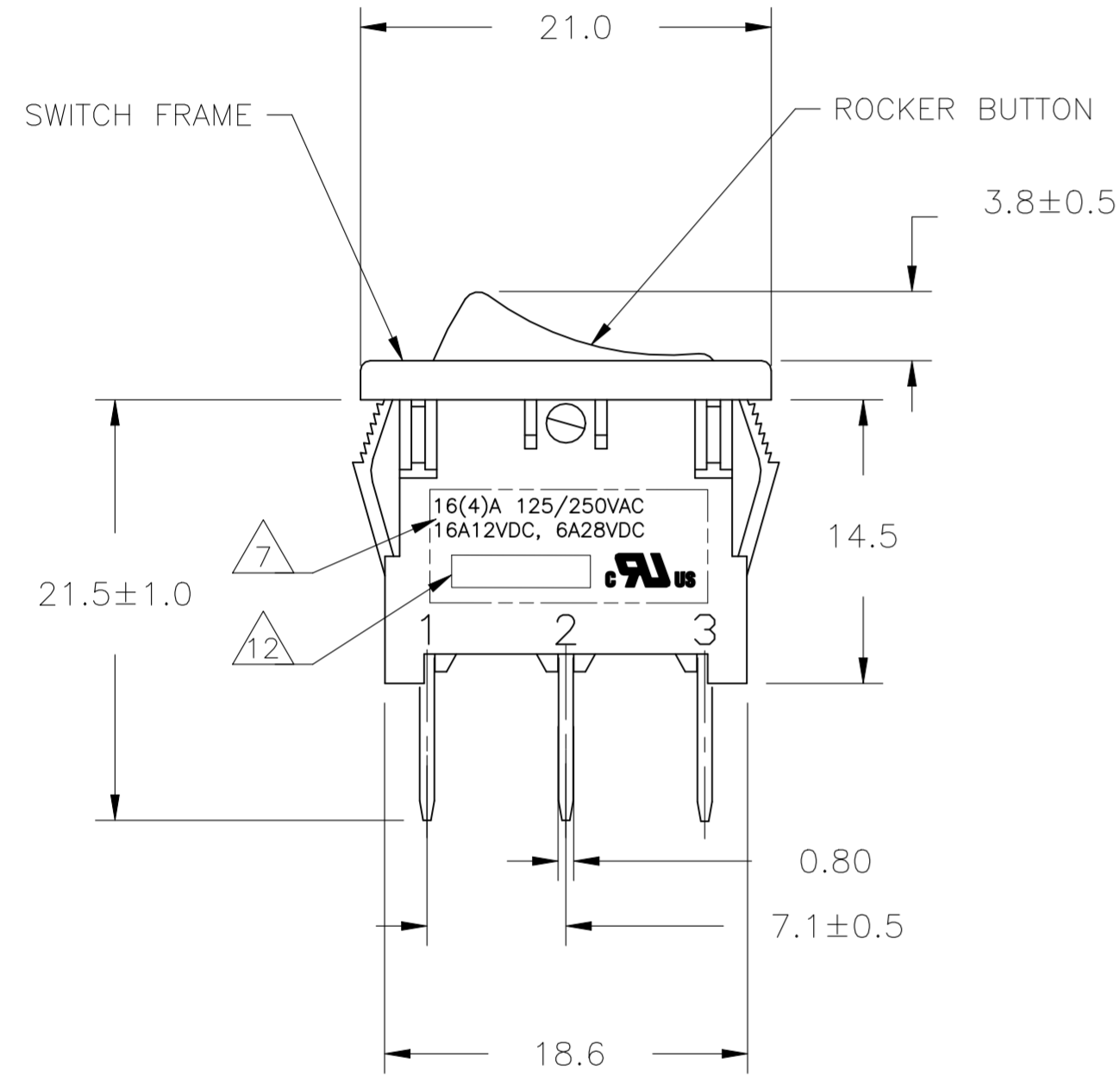
REVISIONS					
P	LTR	DESCRIPTION	DATE	DWN	APVD
K		REVISED PER ECO-20-013571	17FEB2021	SR	JB



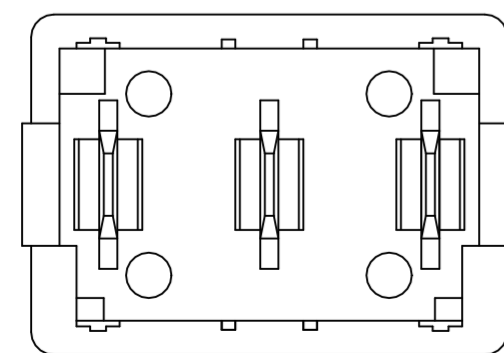
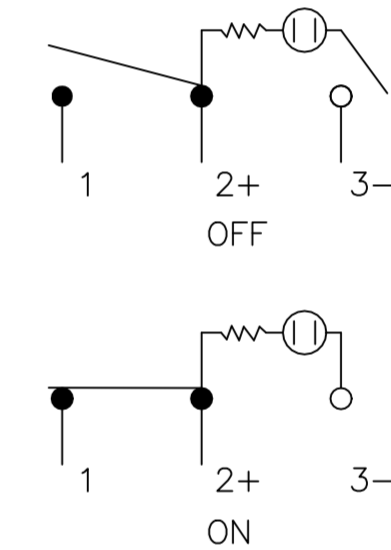
PANEL CUT OUT



2.00-3.00	19.8-0.1	13.0+0.1
1.25-2.00	19.4-0.1	13.0+0.1
0.75-1.25	19.2-0.1	13.0+0.1
PANEL THICKNESS	X	Y



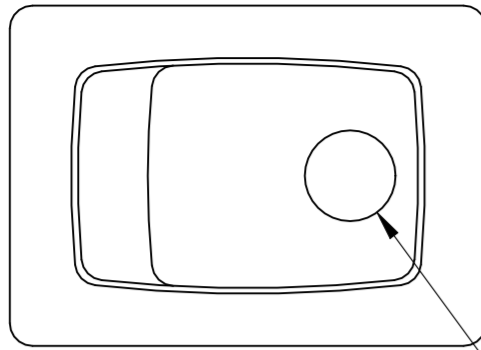
SWITCH FUNCTION B1 & B3
CIRCUIT DIAGRAM



OBSOLETE ~~5-1571078-2~~ SHOWN

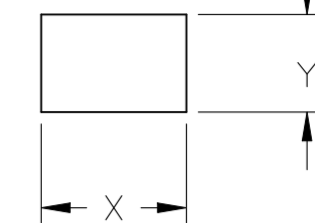
THIS DRAWING IS A CONTROLLED DOCUMENT.		DWN M.BINNER	25FEB2002	TE Connectivity Ltd.	
DIMENSIONS: MM		CHK J.MOSIER	APVD -		
TOLERANCES UNLESS OTHERWISE SPECIFIED:		PRODUCT SPEC		POWER ROCKER SWITCH 13.0mmX19.2mm PANEL	
0 PLC ± -		APPLICATION SPEC		SIZE SPST 3 TERMINALS, LAMP ILLUMINATED	
1 PLC ± 0.30		NOT APPLICABLE		SIZE	RESTRICTED TO
2 PLC ± 0.05		NOT APPLICABLE		CAGE CODE	DRAWING NO
3 PLC ± -		MATERIAL		A2	00779
4 PLC ± -		FINISH		C=	1571078
ANGLES ± -		WEIGHT		SCALE 3:1 SHEET 1 of 3 REV K	
MATERIAL		CUSTOMER DRAWING			

REVISIONS					
P	LTR	DESCRIPTION	DATE	DWN	APVD
-	-	SEE SHEET 1	-	-	-

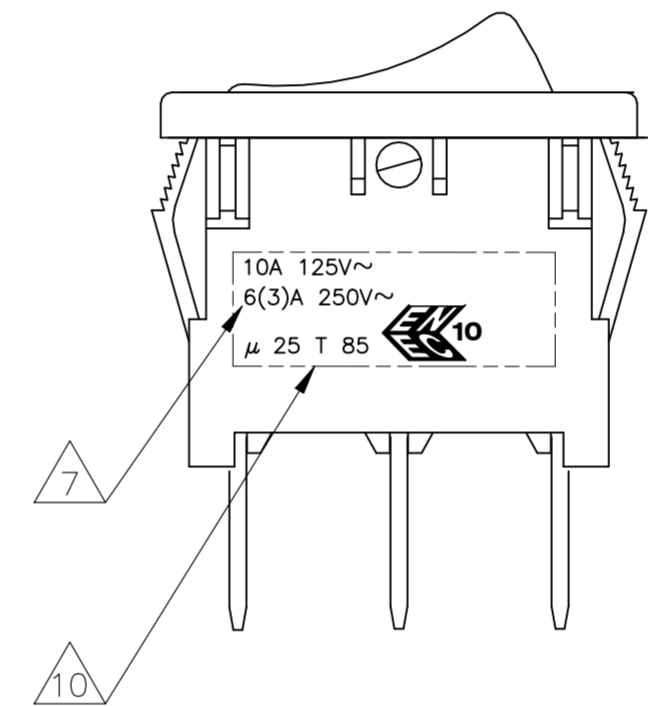
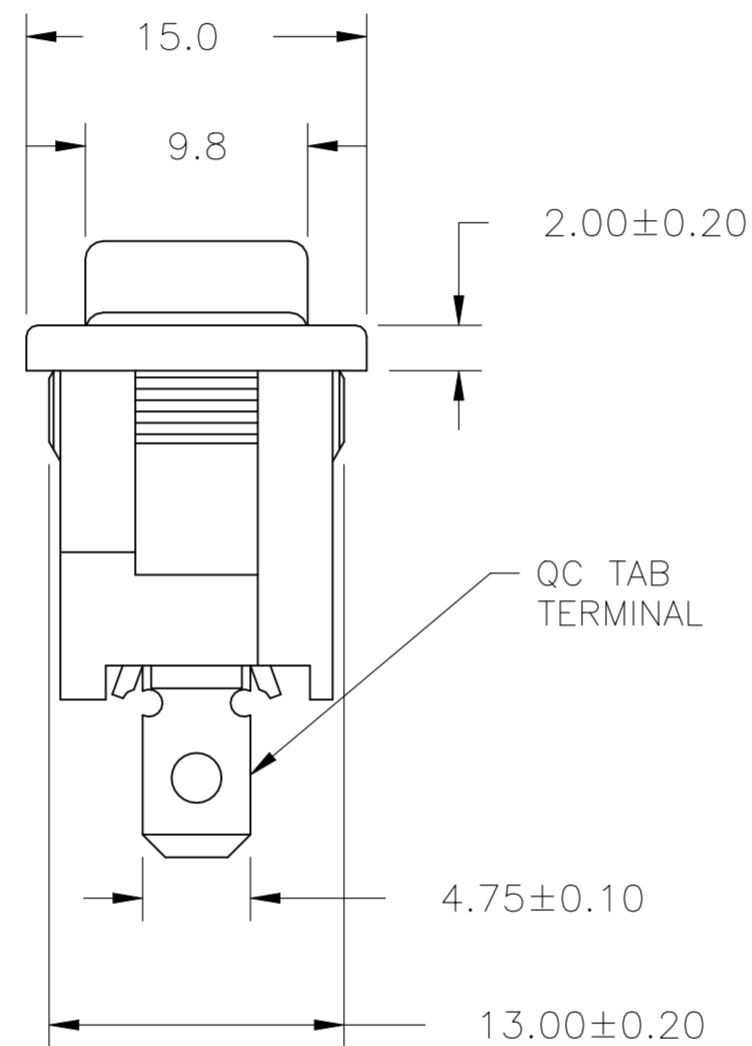
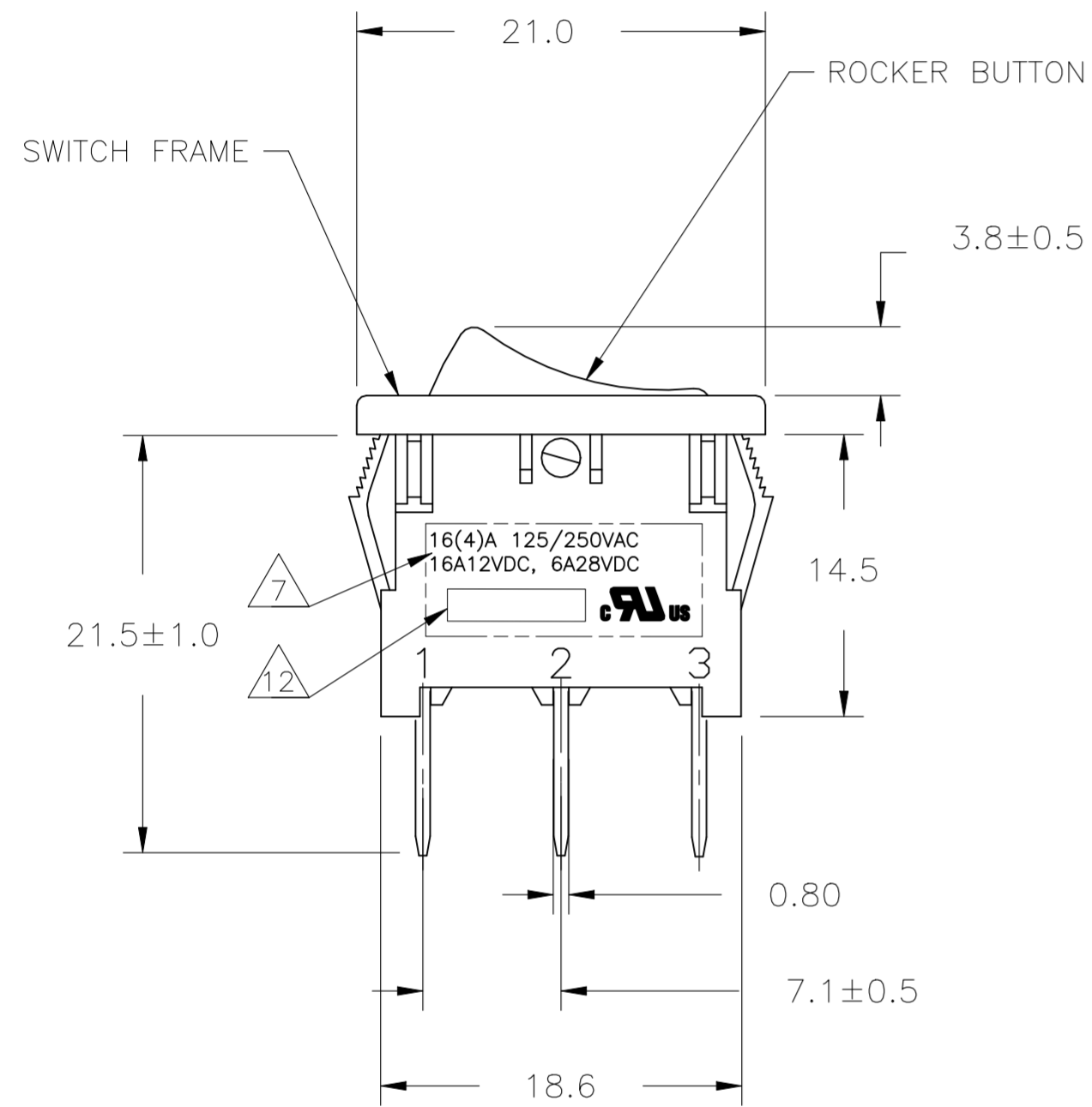


LAMP WINDOW

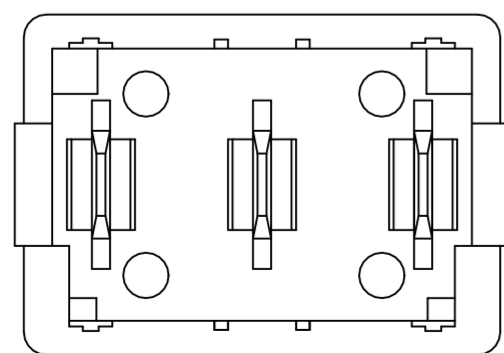
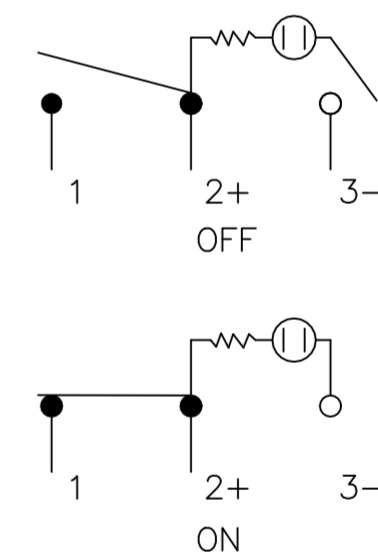
PANEL CUT OUT



2.00-3.00	19.8-0.1	13.0+0.1
1.25-2.00	19.4-0.1	13.0+0.1
0.75-1.25	19.2-0.1	13.0+0.1
PANEL THICKNESS	X	Y



SWITCH FUNCTION B2 & B4
CIRCUIT DIAGRAM

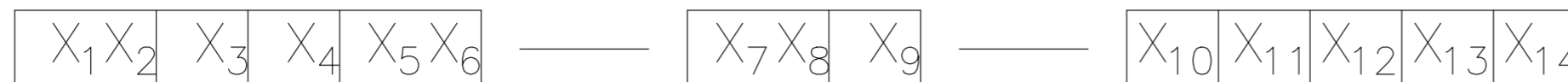


1571078-4 SHOWN

THIS DRAWING IS A CONTROLLED DOCUMENT.		DWN M.BINNER	25FEB2002	TE Connectivity Ltd.	
DIMENSIONS: MM		CHK J.MOSIER	-		
TOLERANCES UNLESS OTHERWISE SPECIFIED:		APVD -	-	NAME	
0 PLC ± -		PRODUCT SPEC		POWER ROCKER SWITCH 13.0mmX19.2mm PANEL	
1 PLC ± 0.30		NOT APPLICABLE		SIZE CAGE CODE DRAWING NO RESTRICTED TO	
2 PLC ± 0.05		APPLICATION SPEC		A2 00779 C=1571078	
3 PLC ± -		NOT APPLICABLE		SCALE 3:1 SHEET 2 OF 3 REV K	
4 PLC ± -		WEIGHT -			
ANGLES ± -		FINISH			
MATERIAL		CUSTOMER DRAWING			

REVISIONS				
P	LTR	DESCRIPTION	DATE	APVD
-	-	SEE SHEET 1	-	-

LEGACY PART NUMBER



SWITCH TYPE: X1X2 = PR - POWER ROCKER

NOMINAL PANEL CUT OUT SIZE: X3 = A - 13.0x19.2
NUMBER OF POLES: X4 = S - SINGLE

SWITCH FUNCTION: X5X6 =

- B1 : ON-OFF, TRANSPARENT, LAMP ILLUMINATED, ROCKER BUTTON (100-125 VAC LAMP VOLTAGE)
- B2 : ON-OFF, OPAQUE, LAMP ILLUMINATED WINDOW, ROCKER BUTTON (100-125 VAC LAMP VOLTAGE)
- B3 : ON-OFF, TRANSPARENT, LAMP ILLUMINATED, ROCKER BUTTON (200-250 VAC LAMP VOLTAGE)
- B4 : ON-OFF, OPAQUE, LAMP ILLUMINATED WINDOW, ROCKER BUTTON (200-250 VAC LAMP VOLTAGE)

CURRENT RATING: X7X8 = 16 -

TERMINAL TYPE: X9 = F - QC TAB
L - SOLDER LUG

FRAME COLOR: X10 = B - BLACK
W - WHITE

ROCKER COLOR: X11 = A - AMBER
B - BLACK
C - CLEAR
G - GREEN
R - RED
W - WHITE

SECONDARY ROCKER COLOR

(FOR THE LAMP WINDOW): X12 = ∅ - NOT APPLICABLE
A - AMBER
C - CLEAR
G - GREEN
R - RED

LEGEND TEXT PATTERN: X13 = ∅ A B C

LEGEND TEXT COLOR: X14 = ∅ - NOT APPLICABLE
G - GREEN
R - RED
B - BLACK
W - WHITE

1

MATERIALS:

LAMP BASE & HOUSING FRAME: NYLON 66, UL 94 V-2.
ROCKER BUTTON: NYLON 66 OR POLYCARBONATE, UL 94 V-2.
ROCKER BUTTON WINDOW, POLYCARBONATE, UL 94 V-2.
TERMINAL (NOS. 1 & 2), ACTIVE CONTACTOR: COPPER ALLOY PER ASTM B152/B152M
TERMINAL (NO. 3), PLUNGER: COPPER ALLOY PER ASTM B036.
SPRING: STEEL WIRE PER ASTM A228/A228M
CONTACT: SILVER-TIN OXIDE
LAMP: NEON
RESISTOR: 150kW, 1/8W RATED, 250VAC
33kW, 1/8W RATED, 125VAC

2

FINISH:

TERMINAL (NOS. 1&2), ACTIVE CONTACTOR: 1.0µm MIN SILVER
PLUNGER: 3.0µm MIN NICKEL

3

ELECTRICAL SPECIFICATIONS:

CURRENT AND VOLTAGE: 6
LAMP VOLTAGE: SWITCH FUNCTION B1 & B2, 100-125 VAC
SWITCH FUNCTION B3 & B4, 200-250 VAC
CONTACT RESISTANCE (INITIAL): <100mW (5V, 1A DC)
DIELECTRIC STRENGTH (INITIAL): >1000 VAC, 1 MINUTE
INSULATION RESISTANCE (INITIAL): >100MW MIN (500VDC BETWEEN OPEN CONTACTS)
INRUSH CURRENT: 50A / 3msec (CAPACITIVE LOAD)
ELECTRICAL LIFE ENDURANCE: >6000 OPERATIONS
TEMPERATURE RISE AT TERMINALS: <30°C, 6000 OPERATIONS
(AMBIENT CONDITIONS: 25±2°C AND 65±5%R.H)

4

MECHANICAL SPECIFICATIONS:

ACTUATING FORCE: 150g MIN, 650g MAX
OPERATING LIFE ENDURANCE: >100,000 OPERATIONS
TERMINAL RETENTION FORCE: >2.5kg- SOLDER LUG
>6.8kg- QC TAB

5

ENVIRONMENTAL SPECIFICATIONS:
AMBIENT TEMPERATURE: -20°C TO +85°C
HUMIDITY: MAX 85%
SALT SPRAY: NO REMAKABLE RUST IN METAL PARTS. (5%SALT / 35°C 24HRS)
SHOCK: NO MECHANICAL DEFECT OR DAMAGE. (100g / 10MSEC/ X,Y,Z 3 TIMES)
VIBRATION: NO MECHANICAL DEFECT OR DAMAGE. (10-55Hz /1.5mm/ X,Y,Z 2HRS)

6

UL: 16(4)A 125/250VAC / 16A12VDC, 6A28VDC
ENEC: 10A 125V~, 6(3)A 250V~, µ25T85

7

ELECTRICAL RATINGS, APPROVED AGENCY LOGOS, TERMINAL IDENTIFICATION NUMBERS, AND THE TE CONNECTIVITY LOGO, MOLDED APPROXIMATELY AS SHOWN ON THE SIDE

8

COMPONENT RECOGNIZED TO US & CANADIAN STANDARDS, UL FILE NO. E46765.

9

NOTE REMOVED.

10

THE LAMP VOLTAGE RATING IS LISTED ON THE LABEL LOCATED ON THE SIDE OF THE SWITCH HOUSING, APPROXIMATELY AS SHOWN.

11

ROHS 2002/95/EC COMPLIANT

12

TE CONNECTIVITY LOGO LOCATED APPROXIMATELY AS SHOWN PER TEC 202-36.'

OBSOLETE	1	PRASB1-16F-BR000	5-1571078-2
	2	PRASB2-16F-BBR00	1571078-4
SHEET REF.		LEGACY PART NUMBER	PART NUMBER

THIS DRAWING IS A CONTROLLED DOCUMENT.		DWN M.BINNER	25FEB2002	TE Connectivity Ltd.	
DIMENSIONS: MM		CHK J.MOSIER		NAME	
TOLERANCES UNLESS OTHERWISE SPECIFIED:		APVD -		PRODUCT SPEC	
0 PLC ± -				NOT APPLICABLE	
1 PLC ± 0.30				APPLICATION SPEC	
2 PLC ± 0.05				NOT APPLICABLE	
3 PLC ± -				SIZE CAGE CODE DRAWING NO	
4 PLC ± -				RESTRICTED TO	
ANGLES ± -				A2 00779 C=1571078	
MATERIAL	FINISH	WEIGHT		SCALE 3:1 SHEET 3 of 3 REV K	
1	2	-		CUSTOMER DRAWING	