



Power contactor, AC-3 32 A, 15 kW / 400 V 1 NO + 1 NC, 220 V AC, 50 Hz
240 V, 60Hz, 3-pole, Size S0, screw terminals

product brand name	SIRIUS
product designation	Power contactor
product type designation	3RT2
General technical data	
size of contactor	S0
product extension	
<ul style="list-style-type: none"> function module for communication auxiliary switch 	<p>No</p> <p>Yes</p>
power loss [W] for rated value of the current	
<ul style="list-style-type: none"> at AC in hot operating state at AC in hot operating state per pole without load current share typical 	<p>6.3 W</p> <p>2.3 W</p> <p>10.5 W</p>
insulation voltage	
<ul style="list-style-type: none"> of main circuit with degree of pollution 3 rated value of auxiliary circuit with degree of pollution 3 rated value 	<p>690 V</p> <p>690 V</p>
surge voltage resistance	
<ul style="list-style-type: none"> of main circuit rated value of auxiliary circuit rated value 	<p>6 kV</p> <p>6 kV</p>
maximum permissible voltage for safe isolation between coil and main contacts according to EN 60947-1	400 V
shock resistance at rectangular impulse	
<ul style="list-style-type: none"> at AC 	8,3g / 5 ms, 5,3g / 10 ms
shock resistance with sine pulse	
<ul style="list-style-type: none"> at AC 	13,5g / 5 ms, 8,3g / 10 ms
mechanical service life (switching cycles)	
<ul style="list-style-type: none"> of contactor typical of the contactor with added electronically optimized auxiliary switch block typical of the contactor with added auxiliary switch block typical 	<p>10 000 000</p> <p>5 000 000</p> <p>10 000 000</p>
reference code according to IEC 81346-2	Q
Substance Prohibitance (Date)	10/01/2009
Ambient conditions	
installation altitude at height above sea level maximum	2 000 m
ambient temperature	
<ul style="list-style-type: none"> during operation during storage 	<p>-25 ... +60 °C</p> <p>-55 ... +80 °C</p>
relative humidity minimum	10 %
relative humidity at 55 °C according to IEC 60068-2-30 maximum	95 %

Main circuit

number of poles for main current circuit	3
number of NO contacts for main contacts	3
operating voltage	
• at AC-3 rated value maximum	690 V
• at AC-3e rated value maximum	690 V
operational current	
• at AC-1 at 400 V at ambient temperature 40 °C rated value	50 A
• at AC-1	
— up to 690 V at ambient temperature 40 °C rated value	50 A
— up to 690 V at ambient temperature 60 °C rated value	42 A
• at AC-3	
— at 400 V rated value	32 A
— at 500 V rated value	32 A
— at 690 V rated value	21 A
• at AC-3e	
— at 400 V rated value	32 A
— at 500 V rated value	32 A
— at 690 V rated value	21 A
• at AC-4 at 400 V rated value	22 A
• at AC-5a up to 690 V rated value	44 A
• at AC-5b up to 400 V rated value	26.5 A
• at AC-6a	
— up to 230 V for current peak value n=20 rated value	30.8 A
— up to 400 V for current peak value n=20 rated value	30.8 A
— up to 500 V for current peak value n=20 rated value	27 A
— up to 690 V for current peak value n=20 rated value	21 A
• at AC-6a	
— up to 230 V for current peak value n=30 rated value	20.5 A
— up to 400 V for current peak value n=30 rated value	20.5 A
— up to 500 V for current peak value n=30 rated value	18 A
— up to 690 V for current peak value n=30 rated value	18 A
minimum cross-section in main circuit at maximum AC-1 rated value	10 mm ²
operational current for approx. 200000 operating cycles at AC-4	
• at 400 V rated value	12 A
• at 690 V rated value	12 A
operational current	
• at 1 current path at DC-1	
— at 24 V rated value	35 A
— at 110 V rated value	4.5 A
— at 220 V rated value	1 A
— at 440 V rated value	0.4 A
— at 600 V rated value	0.25 A
• with 2 current paths in series at DC-1	
— at 24 V rated value	35 A
— at 110 V rated value	35 A
— at 220 V rated value	5 A
— at 440 V rated value	1 A
— at 600 V rated value	0.8 A
• with 3 current paths in series at DC-1	

<ul style="list-style-type: none"> — at 24 V rated value — at 110 V rated value — at 220 V rated value — at 440 V rated value — at 600 V rated value 	35 A 35 A 35 A 2.9 A 1.4 A
<ul style="list-style-type: none"> ● at 1 current path at DC-3 at DC-5 <ul style="list-style-type: none"> — at 24 V rated value — at 110 V rated value — at 220 V rated value — at 440 V rated value — at 600 V rated value 	20 A 2.5 A 1 A 0.09 A 0.06 A
<ul style="list-style-type: none"> ● with 2 current paths in series at DC-3 at DC-5 <ul style="list-style-type: none"> — at 24 V rated value — at 110 V rated value — at 220 V rated value — at 440 V rated value — at 600 V rated value 	35 A 15 A 3 A 0.27 A 0.16 A
<ul style="list-style-type: none"> ● with 3 current paths in series at DC-3 at DC-5 <ul style="list-style-type: none"> — at 24 V rated value — at 110 V rated value — at 220 V rated value — at 440 V rated value — at 600 V rated value 	35 A 35 A 10 A 0.6 A 0.6 A
operating power <ul style="list-style-type: none"> ● at AC-3 <ul style="list-style-type: none"> — at 230 V rated value — at 400 V rated value — at 500 V rated value — at 690 V rated value ● at AC-3e <ul style="list-style-type: none"> — at 230 V rated value — at 400 V rated value — at 500 V rated value — at 690 V rated value 	7.5 kW 15 kW 15 kW 18.5 kW 7.5 kW 15 kW 15 kW 18.5 kW
operating power for approx. 200000 operating cycles at AC-4 <ul style="list-style-type: none"> ● at 400 V rated value ● at 690 V rated value 	6 kW 10.3 kW
operating apparent power at AC-6a <ul style="list-style-type: none"> ● up to 230 V for current peak value n=20 rated value ● up to 400 V for current peak value n=20 rated value ● up to 500 V for current peak value n=20 rated value ● up to 690 V for current peak value n=20 rated value 	12.2 kVA 21.3 kVA 23.3 kVA 25 kVA
operating apparent power at AC-6a <ul style="list-style-type: none"> ● up to 230 V for current peak value n=30 rated value ● up to 400 V for current peak value n=30 rated value ● up to 500 V for current peak value n=30 rated value ● up to 690 V for current peak value n=30 rated value 	8.1 kVA 14.2 kVA 15.5 kVA 21.5 kVA
short-time withstand current in cold operating state up to 40 °C <ul style="list-style-type: none"> ● limited to 1 s switching at zero current maximum ● limited to 5 s switching at zero current maximum ● limited to 10 s switching at zero current maximum ● limited to 30 s switching at zero current maximum ● limited to 60 s switching at zero current maximum 	499 A; Use minimum cross-section acc. to AC-1 rated value 395 A; Use minimum cross-section acc. to AC-1 rated value 260 A; Use minimum cross-section acc. to AC-1 rated value 186 A; Use minimum cross-section acc. to AC-1 rated value 152 A; Use minimum cross-section acc. to AC-1 rated value
no-load switching frequency <ul style="list-style-type: none"> ● at AC 	5 000 1/h
operating frequency <ul style="list-style-type: none"> ● at AC-1 maximum ● at AC-2 maximum ● at AC-3 maximum 	1 000 1/h 750 1/h 750 1/h

<ul style="list-style-type: none"> • at AC-3e maximum • at AC-4 maximum 	750 1/h 250 1/h
Control circuit/ Control	
type of voltage of the control supply voltage	AC
control supply voltage at AC <ul style="list-style-type: none"> • at 50 Hz rated value • at 60 Hz rated value 	220 V 240 V
operating range factor control supply voltage rated value of magnet coil at AC <ul style="list-style-type: none"> • at 50 Hz • at 60 Hz 	0.8 ... 1.1 0.8 ... 1.1
apparent pick-up power of magnet coil at AC <ul style="list-style-type: none"> • at 50 Hz • at 60 Hz 	81 VA 79 VA
inductive power factor with closing power of the coil <ul style="list-style-type: none"> • at 50 Hz • at 60 Hz 	0.72 0.74
apparent holding power of magnet coil at AC <ul style="list-style-type: none"> • at 50 Hz • at 60 Hz 	10.5 VA 8.5 VA
inductive power factor with the holding power of the coil <ul style="list-style-type: none"> • at 50 Hz • at 60 Hz 	0.25 0.28
closing delay <ul style="list-style-type: none"> • at AC 	8 ... 40 ms
opening delay <ul style="list-style-type: none"> • at AC 	4 ... 16 ms
arcing time	10 ... 10 ms
control version of the switch operating mechanism	Standard A1 - A2
Auxiliary circuit	
number of NC contacts for auxiliary contacts instantaneous contact	1
number of NO contacts for auxiliary contacts instantaneous contact	1
operational current at AC-12 maximum	10 A
operational current at AC-15 <ul style="list-style-type: none"> • at 230 V rated value • at 400 V rated value • at 500 V rated value • at 690 V rated value 	10 A 3 A 2 A 1 A
operational current at DC-12 <ul style="list-style-type: none"> • at 24 V rated value • at 48 V rated value • at 60 V rated value • at 110 V rated value • at 125 V rated value • at 220 V rated value • at 600 V rated value 	10 A 6 A 6 A 3 A 2 A 1 A 0.15 A
operational current at DC-13 <ul style="list-style-type: none"> • at 24 V rated value • at 48 V rated value • at 60 V rated value • at 110 V rated value • at 125 V rated value • at 220 V rated value • at 600 V rated value 	10 A 2 A 2 A 1 A 0.9 A 0.3 A 0.1 A
contact reliability of auxiliary contacts	1 faulty switching per 100 million (17 V, 1 mA)
UL/CSA ratings	
full-load current (FLA) for 3-phase AC motor <ul style="list-style-type: none"> • at 480 V rated value 	27 A

<ul style="list-style-type: none"> • at 600 V rated value 	27 A
yielded mechanical performance [hp] <ul style="list-style-type: none"> • for single-phase AC motor <ul style="list-style-type: none"> — at 110/120 V rated value — at 230 V rated value • for 3-phase AC motor <ul style="list-style-type: none"> — at 200/208 V rated value — at 220/230 V rated value — at 460/480 V rated value — at 575/600 V rated value 	2 hp 5 hp 10 hp 10 hp 20 hp 25 hp
contact rating of auxiliary contacts according to UL	A600 / P600
Short-circuit protection	
design of the fuse link <ul style="list-style-type: none"> • for short-circuit protection of the main circuit <ul style="list-style-type: none"> — with type of coordination 1 required — with type of assignment 2 required • for short-circuit protection of the auxiliary switch required 	gG: 125A (690V,100kA), aM: 50A (690V,100kA), BS88: 125A (415V,80kA) gG: 50A (690V,100kA), aM: 25A (690V, 100kA), BS88: 50A (415V, 80kA) gG: 10 A (500 V, 1 kA)
Installation/ mounting/ dimensions	
mounting position	+/-180° rotation possible on vertical mounting surface; can be tilted forward and backward by +/- 22.5° on vertical mounting surface
fastening method <ul style="list-style-type: none"> • side-by-side mounting 	screw and snap-on mounting onto 35 mm standard mounting rail according to DIN EN 60715 Yes
height	85 mm
width	45 mm
depth	97 mm
required spacing <ul style="list-style-type: none"> • with side-by-side mounting <ul style="list-style-type: none"> — forwards — upwards — downwards — at the side • for grounded parts <ul style="list-style-type: none"> — forwards — upwards — at the side — downwards • for live parts <ul style="list-style-type: none"> — forwards — upwards — downwards — at the side 	10 mm 10 mm 10 mm 0 mm 10 mm 10 mm 6 mm 10 mm 10 mm 10 mm 10 mm 6 mm
Connections/ Terminals	
type of electrical connection <ul style="list-style-type: none"> • for main current circuit • for auxiliary and control circuit • at contactor for auxiliary contacts • of magnet coil 	screw-type terminals screw-type terminals Screw-type terminals Screw-type terminals
type of connectable conductor cross-sections <ul style="list-style-type: none"> • for main contacts <ul style="list-style-type: none"> — solid — solid or stranded — finely stranded with core end processing • at AWG cables for main contacts 	2x (1 ... 2.5 mm ²), 2x (2.5 ... 10 mm ²) 2x (1 ... 2.5 mm ²), 2x (2.5 ... 10 mm ²) 2x (1 ... 2.5 mm ²), 2x (2.5 ... 6 mm ²), 1x 10 mm ² 2x (16 ... 12), 2x (14 ... 8)
connectable conductor cross-section for main contacts <ul style="list-style-type: none"> • solid • stranded 	1 ... 10 mm ² 1 ... 10 mm ²

<ul style="list-style-type: none"> finely stranded with core end processing 	1 ... 10 mm ²
connectable conductor cross-section for auxiliary contacts <ul style="list-style-type: none"> solid or stranded finely stranded with core end processing 	0.5 ... 2.5 mm ² 0.5 ... 2.5 mm ²
type of connectable conductor cross-sections <ul style="list-style-type: none"> for auxiliary contacts <ul style="list-style-type: none"> solid or stranded finely stranded with core end processing at AWG cables for auxiliary contacts 	2x (0.5 ... 1.5 mm ²), 2x (0.75 ... 2.5 mm ²) 2x (0.5 ... 1.5 mm ²), 2x (0.75 ... 2.5 mm ²) 2x (20 ... 16), 2x (18 ... 14)
AWG number as coded connectable conductor cross section <ul style="list-style-type: none"> for main contacts for auxiliary contacts 	16 ... 8 20 ... 14

Safety related data	
product function <ul style="list-style-type: none"> mirror contact according to IEC 60947-4-1 	Yes
B10 value with high demand rate according to SN 31920	450 000
proportion of dangerous failures <ul style="list-style-type: none"> with low demand rate according to SN 31920 with high demand rate according to SN 31920 	40 % 73 %
failure rate [FIT] with low demand rate according to SN 31920	100 FIT
T1 value for proof test interval or service life according to IEC 61508	20 y
protection class IP on the front according to IEC 60529	IP20
touch protection on the front according to IEC 60529	finger-safe, for vertical contact from the front
suitability for use <ul style="list-style-type: none"> safety-related switching OFF 	Yes

Certificates/ approvals

General Product Approval



[Confirmation](#)



[KC](#)



EMC	Functional Safety/Safety of Machinery	Declaration of Conformity	Test Certificates	
	Type Examination Certificate			Special Test Certificate Type Test Certificates/Test Report

Marine / Shipping



other



Further information

Information- and Downloadcenter (Catalogs, Brochures,...)

<https://www.siemens.com/ic10>

Industry Mall (Online ordering system)

<https://mall.industry.siemens.com/mall/en/en/Catalog/product?mlfb=3RT2027-1AP60>

Cax online generator

<http://support.automation.siemens.com/WW/CAXorder/default.aspx?lang=en&mlfb=3RT2027-1AP60>

Service&Support (Manuals, Certificates, Characteristics, FAQs,...)

<https://support.industry.siemens.com/cs/ww/en/ps/3RT2027-1AP60>

Image database (product images, 2D dimension drawings, 3D models, device circuit diagrams, EPLAN macros, ...)

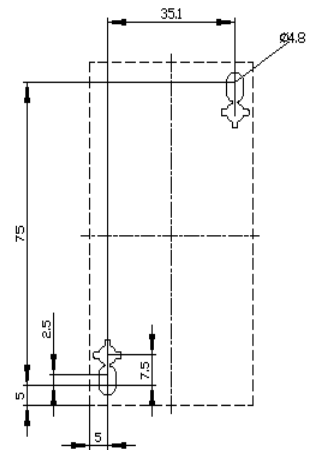
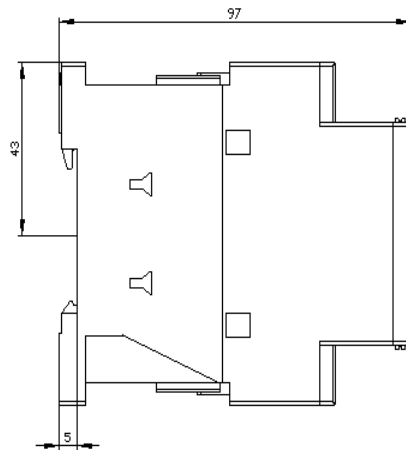
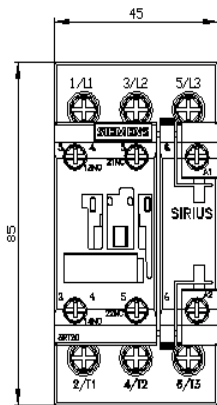
http://www.automation.siemens.com/bilddb/cax_de.aspx?mlfb=3RT2027-1AP60&lang=en

Characteristic: Tripping characteristics, I²t, Let-through current

<https://support.industry.siemens.com/cs/ww/en/ps/3RT2027-1AP60/char>

Further characteristics (e.g. electrical endurance, switching frequency)

<http://www.automation.siemens.com/bilddb/index.aspx?view=Search&mlfb=3RT2027-1AP60&objecttype=14&gridview=view1>



last modified:

6/2/2022 