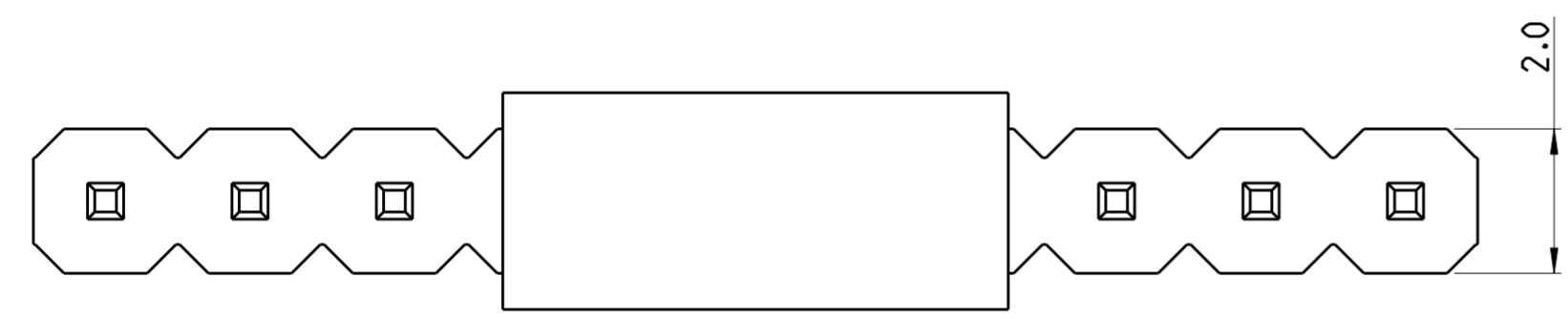
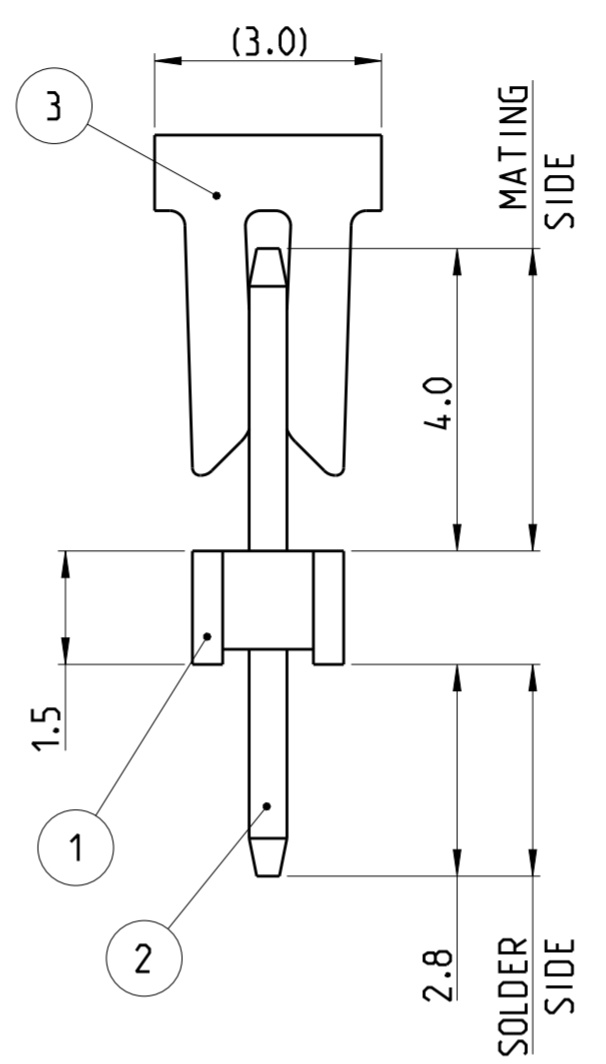
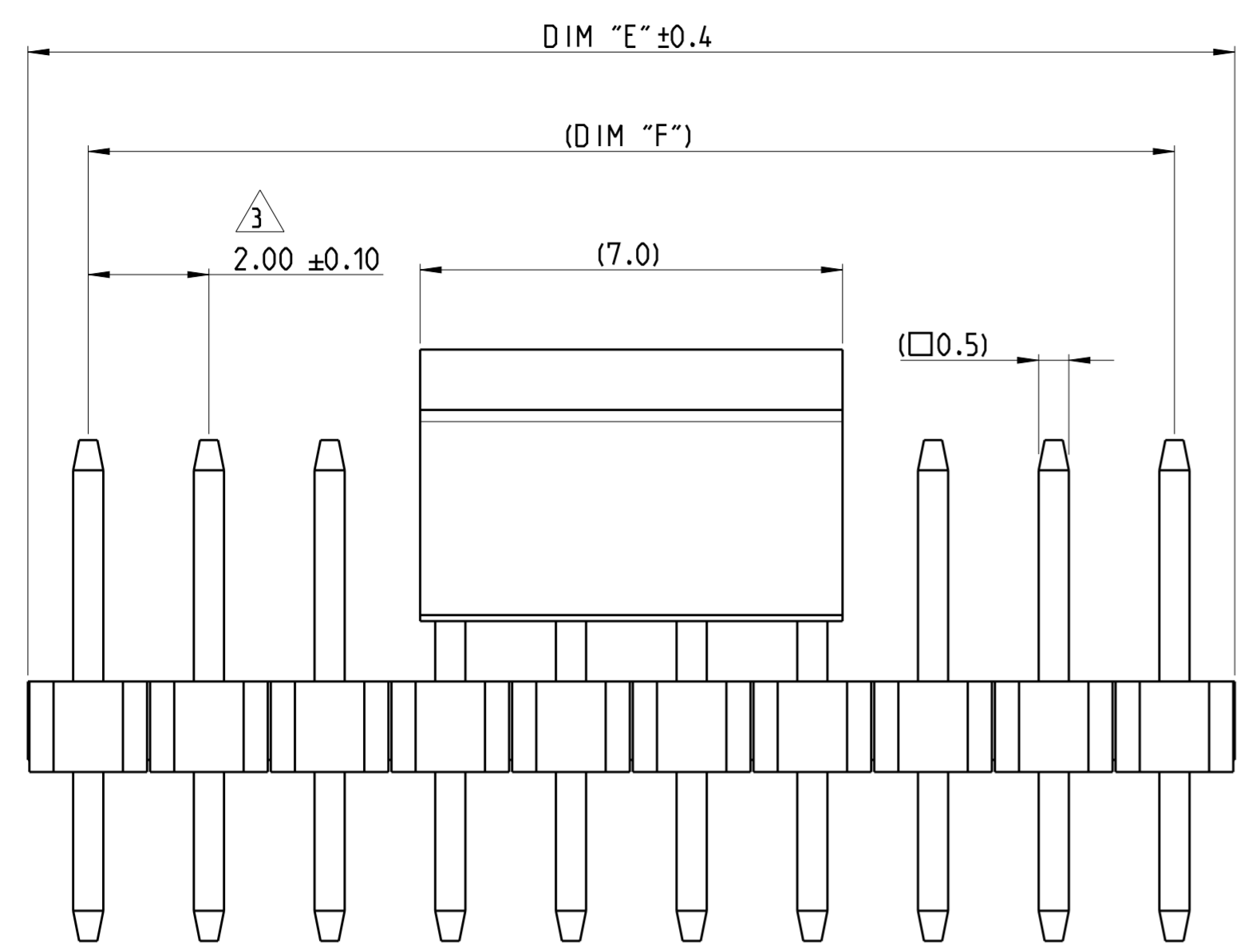
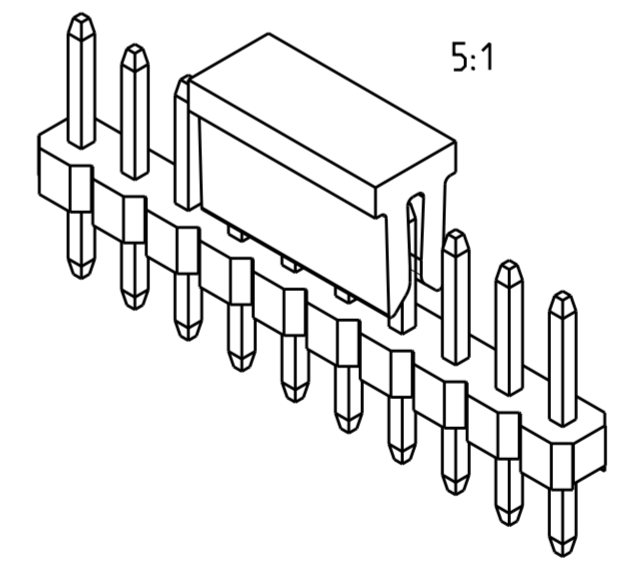


© 2019 TE Connectivity. All Rights Reserved.

REVISIONS				
P	LTR	DESCRIPTION	DATE	APVD
A		RELEASE TO PRODUCTION	26AUG2019	AY PS
B		CHANGED P AND P CAP LENGTH FROM 6.5 TO 7.0	16DEC2019	AY PS

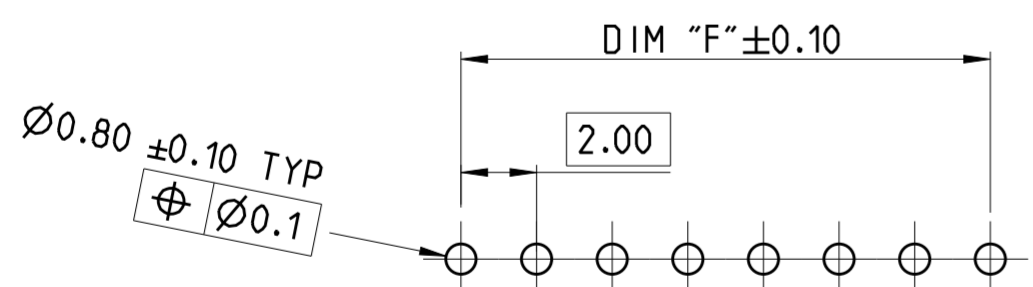


- NOTES:
- MATERIAL
HOUSING & P&P CAP : HIGH TEMPERATURE THERMOPLASTIC, UL94-V0;COLOR- BLACK
CONTACT PIN : COPPER ALLOY
FINISH :
MATING SIDE: MIN. 0.76 μm GOLD OVER NICKEL UNDER PLATING.
SOLDER SIDE: MIN. 2.0 μm BRIGHT TIN OVER NICKEL UNDER PLATING.
 - PACKAGING: TUBE (WITH PICK AND PLACE CAP).
 - TOLERANCE NOT CUMULATIVE.
 - CUTTING BURR MAX. 0.25 mm

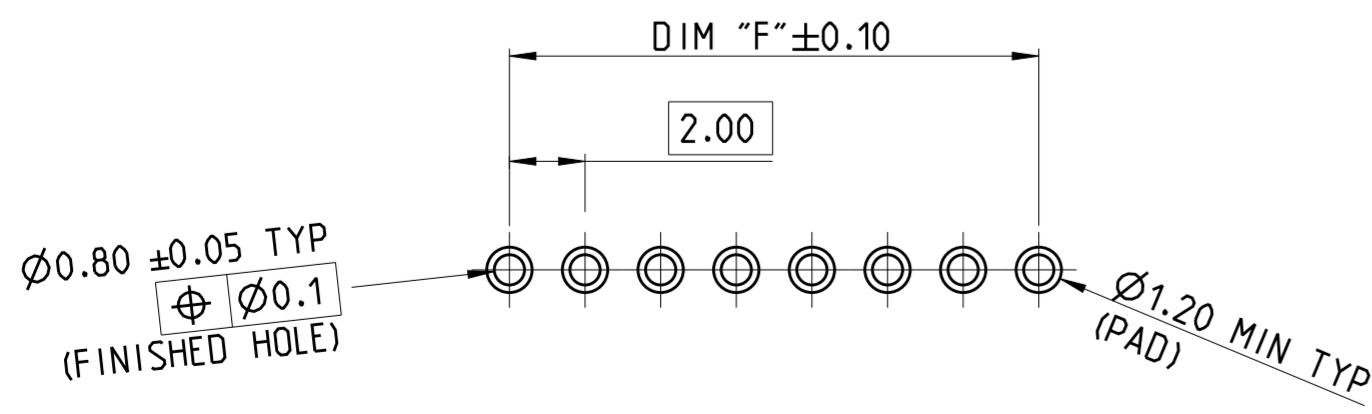


48.0	50.0	25	2-2355184-5
46.0	48.0	24	2-2355184-4
44.0	46.0	23	2-2355184-3
42.0	44.0	22	2-2355184-2
40.0	42.0	21	2-2355184-1
38.0	40.0	20	2-2355184-0
36.0	38.0	19	1-2355184-9
34.0	36.0	18	1-2355184-8
32.0	34.0	17	1-2355184-7
30.0	32.0	16	1-2355184-6
28.0	30.0	15	1-2355184-5
26.0	28.0	14	1-2355184-4
24.0	26.0	13	1-2355184-3
22.0	24.0	12	1-2355184-2
20.0	22.0	11	1-2355184-1
18.0	20.0	10	1-2355184-0
16.0	18.0	9	2355184-9
14.0	16.0	8	2355184-8
12.0	14.0	7	2355184-7
10.0	12.0	6	2355184-6
8.0	10.0	5	2355184-5
6.0	8.0	4	2355184-4
DIM "F"	DIM "E"	POS	TE PN

1-2355184-0 AS SHOWN



RECOMMENDED PCB HOLE PATTERN FOR THROUGH HOLE WAVE



RECOMMENDED PCB HOLE PATTERN FOR THROUGH HOLE REFLOW / PIN-IN-PASTE

PICK AND PLACE CAP	3
CONTACT PIN	2
HOUSING	1
DESCRIPTION	ITEM NO.

THIS DRAWING IS A CONTROLLED DOCUMENT.

DIMENSIONS: mm	TOLERANCES UNLESS OTHERWISE SPECIFIED: 0 PLC ± 1 PLC ±0.2 2 PLC ±0.15 3 PLC ± 4 PLC ± ANGLES ±2° FINISH	DWN 09APR2019 RAGHAVENDRA.K CHK 14AUG2019 KARTHIK.JK APVD 16AUG2019 PRASHANTH PRODUCT SPEC 108-64040 APPLICATION SPEC 114-32259 WEIGHT - CUSTOMER DRAWING	NAME AMPMODU 2mm BREAKAWAY HEADER, SINGLE ROW, VERTICAL, 0.76 Au, TUBE, PICK AND PLACE CAP SIZE A2 CAGE CODE 00779 DRAWING NO. C-2355184 RESTRICTED TO - SCALE 10:1 SHEET 1 OF 1 REV B
-------------------	--	--	--