

- 1
- 2
- 3
- 4
- 5
- 6
- 7
- 8
- 9
- 10
- 11
- 12
- 13
- 14
- 15
- 16
- 17
- 18

## MATERIAL

Glass-fibre reinforced polyamide based (PA) technopolymer, grey-black colour, matte finish.

## CAP

Glass-fibre reinforced polyamide based (PA) technopolymer, in Ergostyle colours, matte finish, press-fit assembly. Available also as accessory sold separately (see table ECA.).

Code	Description	Cap for
29752-*	ECA.W2-*	EWN.48
29753-*	ECA.W3-*	EWN.55
29754-*	ECA.W4-*	EWN.70

\* Complete with colour index (C1, ..., C17).

## STANDARD EXECUTIONS

- **EWN-SST-p-PO:** AISI 303 stainless steel threaded stud, acetal resin (POM) pad.
- **EWN-SST-p-PB:** AISI 303 stainless steel threaded stud, brass pad.

## FEATURES AND APPLICATIONS

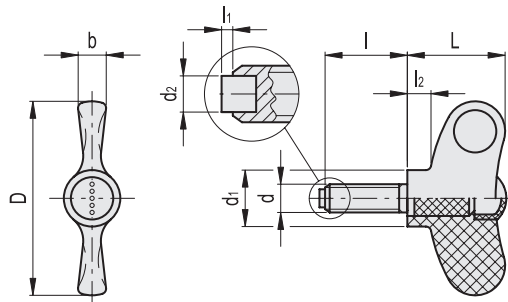
The pad avoids to damage the surface of contact even in case of strong clamping.

## ERGONOMY AND DESIGN

The slightly concave marks on the wings help to position the fingers in order to apply the maximum force when tightening.



ERGOSTYLE® ELESA Original design



Conversion Table	
1 mm = 0.039 inch	
D	
mm	inch
47	1.85
55	2.16
70	2.76



\* Complete with colour index, example: 224556-C2 EWN.48-SST-p-M6x20-PO-C2

- C1 RAL7021
- C2 RAL2004
- C3 RAL7035
- C4 RAL1021
- C5 RAL5024
- C6 RAL3000
- C17 RAL6017

## EWN-SST-p-PO



Code	Description	D	d <sub>6g</sub>	L	d <sub>1</sub>	d <sub>2</sub>	l	l <sub>1</sub>	l <sub>2</sub>	b	⚖
224556-*	EWN.48-SST-p-M6x20-PO-*	47	M6	24	13.5	4	20	1.5	5.5	7	13
224566-*	EWN.48-SST-p-M6x30-PO-*	47	M6	24	13.5	4	30	1.5	5.5	7	15
224646-*	EWN.55-SST-p-M8x20-PO-*	55	M8	28	16	5	20	1.8	6.5	8	23
224656-*	EWN.55-SST-p-M8x30-PO-*	55	M8	28	16	5	30	1.8	6.5	8	26
224676-*	EWN.70-SST-p-M10x20-PO-*	70	M10	36	20	6	20	2	8	10	41
224686-*	EWN.70-SST-p-M10x30-PO-*	70	M10	36	20	6	30	2	8	10	47

## EWN-SST-p-PB



Code	Description	D	d <sub>6g</sub>	L	d <sub>1</sub>	d <sub>2</sub>	l	l <sub>1</sub>	l <sub>2</sub>	b	⚖
224576-*	EWN.48-SST-p-M6x20-PB-*	47	M6	24	13.5	4	20	1.5	5.5	7	14
224586-*	EWN.48-SST-p-M6x30-PB-*	47	M6	24	13.5	4	30	1.5	5.5	7	16
224611-*	EWN.55-SST-p-M8x20-PB-*	55	M8	28	16	5	20	1.8	6.5	8	24
224666-*	EWN.55-SST-p-M8x30-PB-*	55	M8	28	16	5	30	1.8	6.5	8	27
224691-*	EWN.70-SST-p-M10x20-PB-*	70	M10	36	20	6	20	2	8	10	42
224696-*	EWN.70-SST-p-M10x30-PB-*	70	M10	36	20	6	30	2	8	10	48