

VIEW K
 (金具部投影図)
 (DETAIL OF FITTING NAIL)

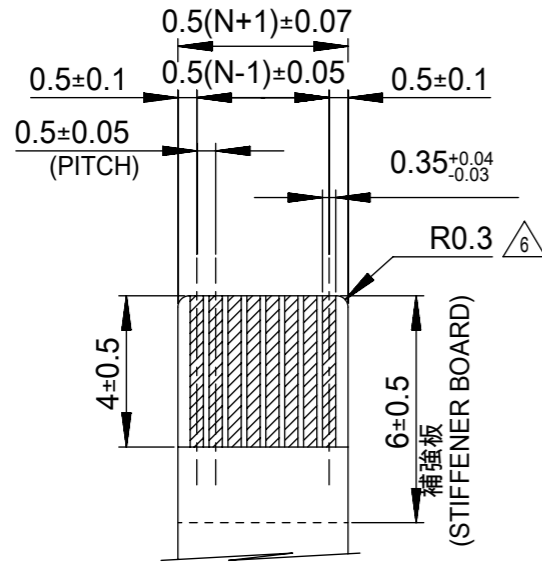
21.6	19.6	15.65	14.5	52437-3072	30
21.1	19.1	15.15	14.0	52437-2972	29
20.6	18.6	14.65	13.5	52437-2872	28
20.1	18.1	14.15	13.0	52437-2772	27
19.6	17.6	13.65	12.5	52437-2672	26
19.1	17.1	13.15	12.0	52437-2572	25
18.6	16.6	12.65	11.5	52437-2472	24
18.1	16.1	12.15	11.0	52437-2372	23
17.6	15.6	11.65	10.5	52437-2272	22
17.1	15.1	11.15	10.0	52437-2172	21
D	C	B	(A)	EMBOSSED PACKAGE	極数 CKT.
				ORDER No. オーダー番号	

CONNECTOR SERIES NO. : 52437-**26

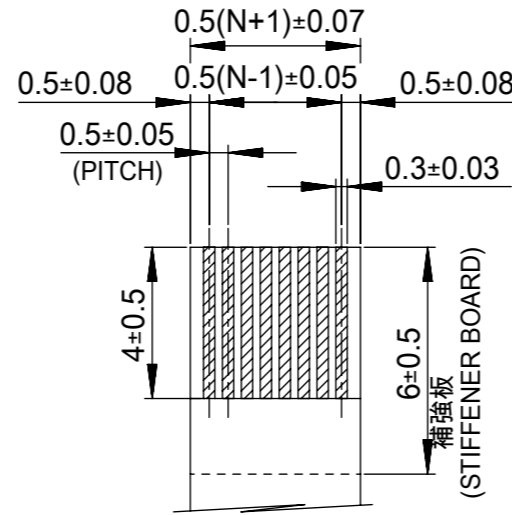
THIS DRAWING CONTAINS INFORMATION THAT IS PROPRIETARY TO MOLEX ELECTRONIC TECHNOLOGIES, LLC AND SHOULD NOT BE USED WITHOUT WRITTEN PERMISSION		CURRENT REV DESC:			
DIMENSION UNITS	SCALE				
mm	NTS			0.5 FPC CONN. ZIF FOR SMT R/A (BOTTOM CONTACT) TIN-BISMUTH PLATING	
GENERAL TOLERANCES (UNLESS SPECIFIED)		ANGULAR TOL ± °		PRODUCT CUSTOMER DRAWING	
4 PLACES	±	EC NO: 719890	2022/08/23	DOCUMENT NUMBER	
3 PLACES	±	DRWN: NARENC	2022/09/05	DOC TYPE	
2 PLACES	±	CHK'D: SMARUYAMA	2022/09/05	DOC PART	
1 PLACE	±	APPR: YNAITO	2022/09/05	REVISION	
0 PLACES	±	INITIAL REVISION:		SD-52437-017	
		DRWN: YSAKIYAMA	2004/01/16	MATERIAL NUMBER	CUSTOMER
		APPR: MSASAO	2004/01/19	SEE TABLE	GENERAL MARKET
DRAFT WHERE APPLICABLE MUST REMAIN WITHIN DIMENSIONS		THIRD ANGLE PROJECTION	DRAWING	SERIES	SHEET NUMBER
			A3-SIZE	52437	1 OF 2

GENERAL TOLERANCES (UNLESS SPECIFIED)

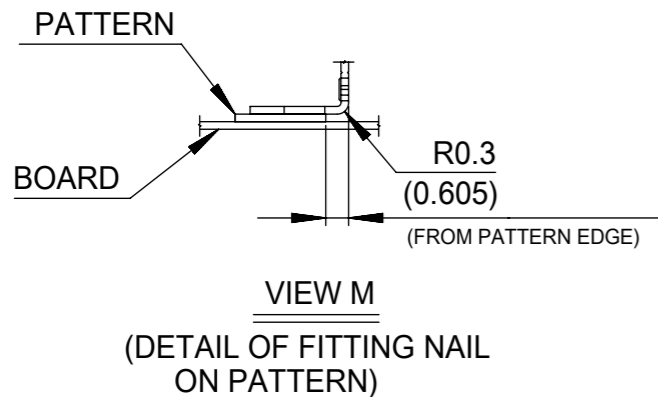
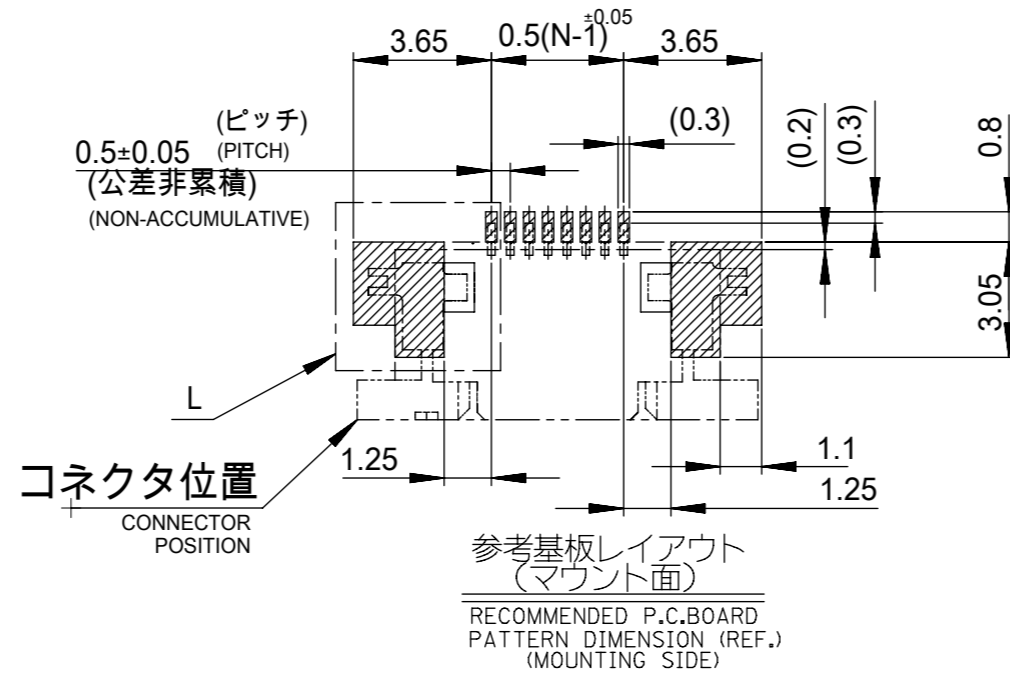
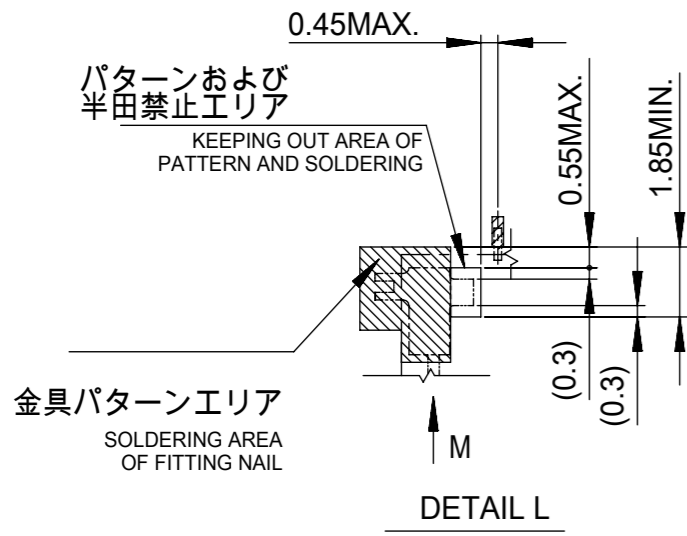
10 ^{UNDER}	±0.2
10 ^{OVER} 30 ^{UNDER}	±0.25
30 ^{OVER}	±0.3
ANGULAR	±3°



適合錫系めっきFPC推奨寸法
APPLICABLE FPC OF TIN
PLATING RECOMMENDED DIMENSION
仕上がり厚さ : 0.3±0.05
THICKNESS: 0.3+0.05/-0.05



適合錫系めっきFFC推奨寸法
APPLICABLE FFC OF TIN
PLATING RECOMMENDED DIMENSION
仕上がり厚さ : 0.3±0.05
THICKNESS: 0.3+0.05/-0.05



注記NOTES

1.使用材料

MATERIAL

ハウジング : 46ナイロン、ガラス充填、UL94V-0、白

HOUSING: PA46, GLASS FILLED, UL94V-0, WHITE

アクチュエータ : ポリフェニレンサルフィド (PPS)、ガラス充填、UL94V-0、茶色

ACTUATOR: POLYPHENYLENE SULFIDE, GLASS FILLED, UL94V-0, BROWN

ターミナル : リン青銅、ニッケル下地錫ビスマスめっき (t=0.2)

TERMINAL: PHOSPHOR BRONZE, TIN BISMUTH OVER NICKEL PLATING

金具 : リン青銅、ニッケル下地錫めっき (t=0.2)

FITTING NAIL: PHOSPHOR BRONZE, TIN OVER NICKEL PLATING

2.エンボステーブ梱包時は、アクチュエータがロックした状態になります。

IN THE PACKAGE, ACTUATOR OF PART

NO.52437-**26 SHOULD BE LOCKED.

△3 ソルダータール半田付け面のズレ量、及び金具半田付け面のズレ量は、基準面Hに対して上方向に0.1MAXIMUM、下方向0.15MAXIMUMとする。
MISALIGNMENT OF SOLDER TAILS AND FITTING NAILS FROM DATUM-H.

UPPER DIRECTION: 0.1 MAXIMUM

LOWER DIRECTION: 0.15 MAXIMUM

△4 偶数極に適用

APPLY FOR EVEN CIRCUIT.

△5 パターン剥離止め金具

FITTING NAIL FOR PREVENTION OF PEELING OF P.W.B. PATTERN.

△6 R0.3は、FPCの導体部にかからないこと

R0.3 MUST NOT BE OVERLAPED TO PATTERN OF FPC.

7.ソルダータールの平坦度は、0.1MAXIMUMとする。

SOLDER TAIL COPLANARITY IS 0.1 MAXIMUM.

8.ELV 及び RoHS 適合品

ELV AND RoHS COMPLIANT

FPCについて:

打抜き方向は導体側から補強板側を推奨致します。

補強フィルム材質はポリイミドを推奨致します。

接着剤は熱硬化接着剤を推奨致します。

ABOUT FPC:

RECOMMENDED PUNCHER DIRECTION :

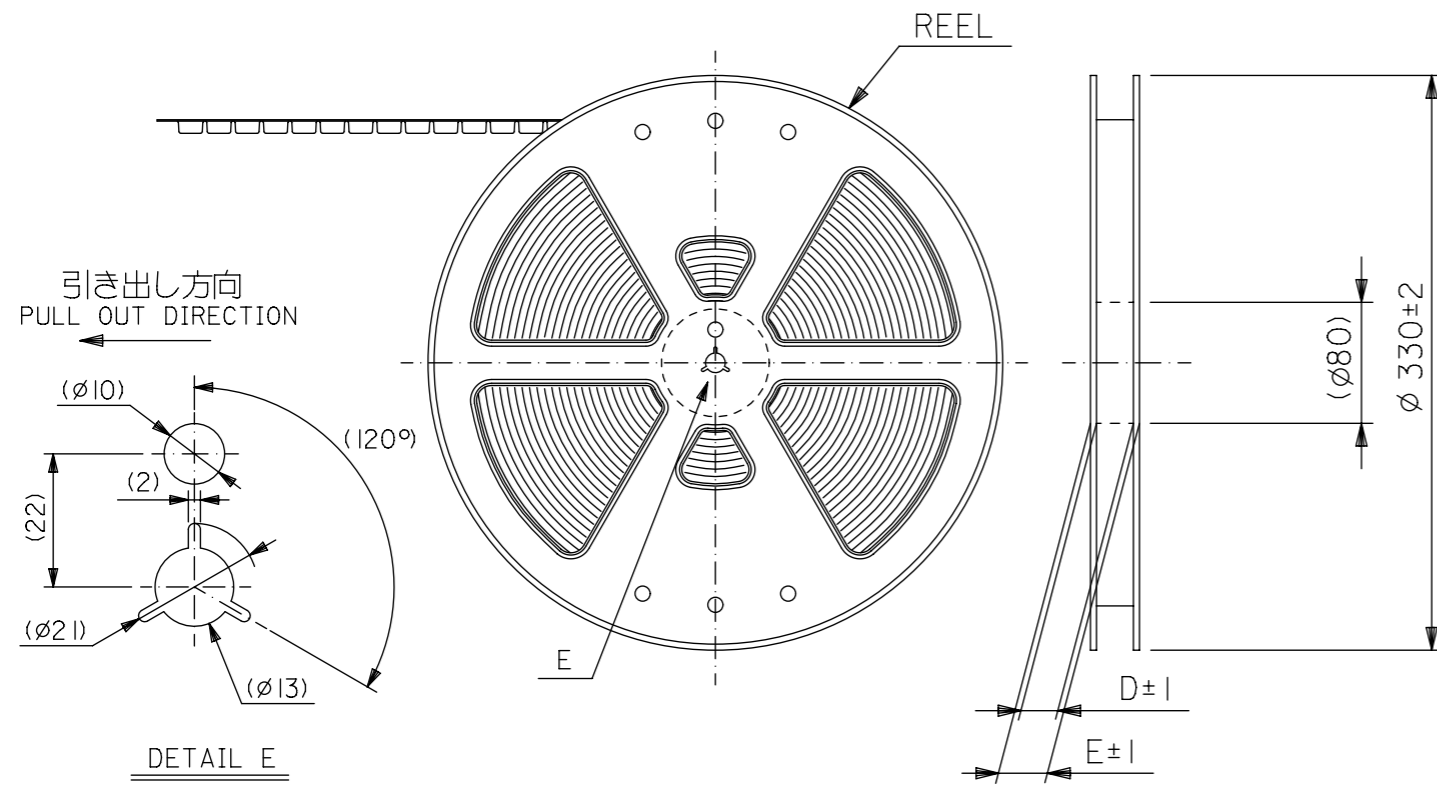
FROM CONDUCTOR SIDE TO STIFFENER BOARD SIDE.

RECOMMENDED MATERIAL:

STIFFENER FILM : POLYIMIDE

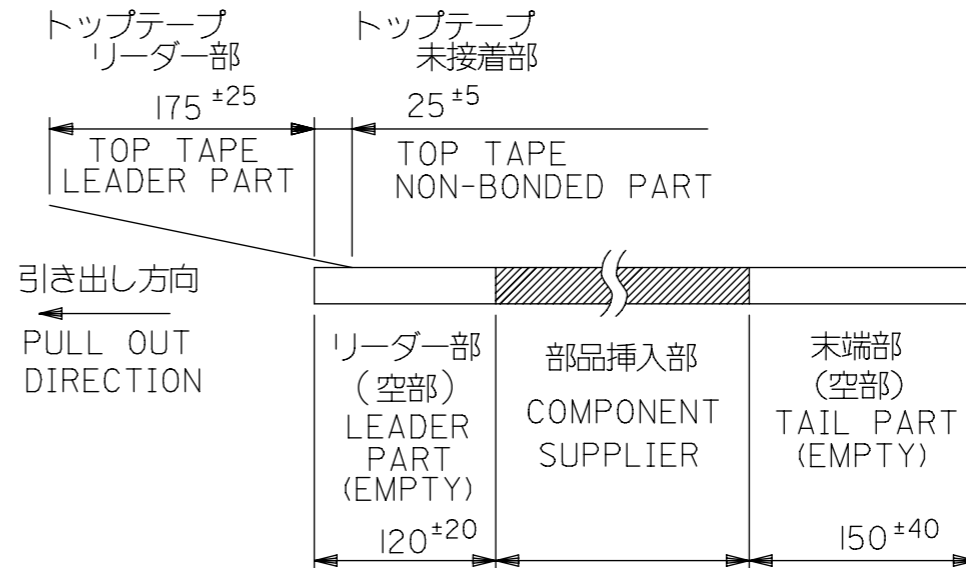
BONDING AGENT : THERMOSETTING BONDING AGENT

THIS DRAWING CONTAINS INFORMATION THAT IS PROPRIETARY TO MOLEX ELECTRONIC TECHNOLOGIES, LLC AND SHOULD NOT BE USED WITHOUT WRITTEN PERMISSION		CURRENT REV DESC:		molex	
DIMENSION UNITS	SCALE				
mm	NTS			0.5 FPC CONN. ZIF FOR SMT R/A (BOTTOM CONTACT) TIN-BISMUTH PLATING	
GENERAL TOLERANCES (UNLESS SPECIFIED)		EC NO: 719890		PRODUCT CUSTOMER DRAWING	
ANGULAR TOL ± °		DRWN: NARENC 2022/08/23		DOCUMENT NUMBER	
4 PLACES ±		CHK'D: SMARUYAMA 2022/09/05		DOC TYPE DOC PART REVISION	
3 PLACES ±		APPR: YNAITO 2022/09/05		SD-52437-017 PSD 001 F	
2 PLACES ±		INITIAL REVISION:		MATERIAL NUMBER	
1 PLACE ±		DRWN: YSAKIYAMA 2004/01/16		CUSTOMER	
0 PLACES ±		APPR: MSASAO 2004/01/19		GENERAL MARKET	
DRAFT WHERE APPLICABLE MUST REMAIN WITHIN DIMENSIONS		THIRD ANGLE PROJECTION	DRAWING	SERIES	SHEET NUMBER
GENERAL TOLERANCES (UNLESS SPECIFIED)		⊕	A3-SIZE	52437	2 OF 2
10 ^{UNDER}	±0.2			SEE SHEET 1	
10 ^{OVER} 30 ^{UNDER}	±0.25				
30 ^{OVER}	±0.3				
ANGULAR	±3 °				



注記 NOTES

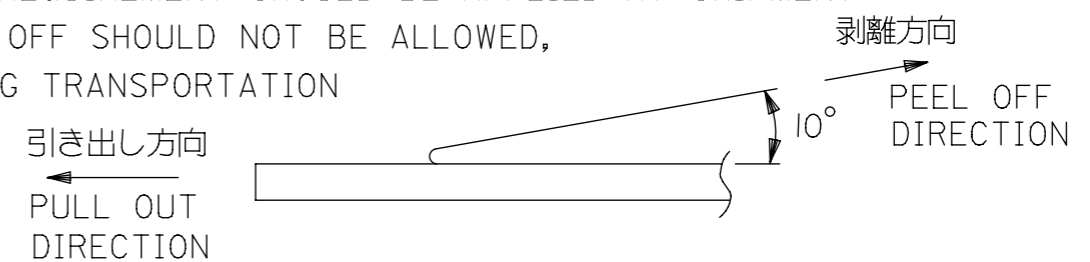
- 製品番号 52437-**26 の梱包状態はアクチュエータがロックした状態とする。
詳細寸法については図面 SD-52437-017 を参照下さい。
IN THE PACKAGE,ACTUATOR OF PART NO.52437-**26 SHOULD BE LOCKED RE DETAILED DIMENSIONS,SEE SD-52437-017.
- 梱包数量：1000個/リール
NUMBER OF CONNECTORS:1000PCS/REEL
- リードテープ長さ LEAD TAPE LENGTH



- トップテープの剥離強度：(剥離方向は下図参照)
0.1N~1.3N {10gf~130gf}尚、本規格値は、出荷時に適用。

(但し、輸送時に剥離が発生しない事。)

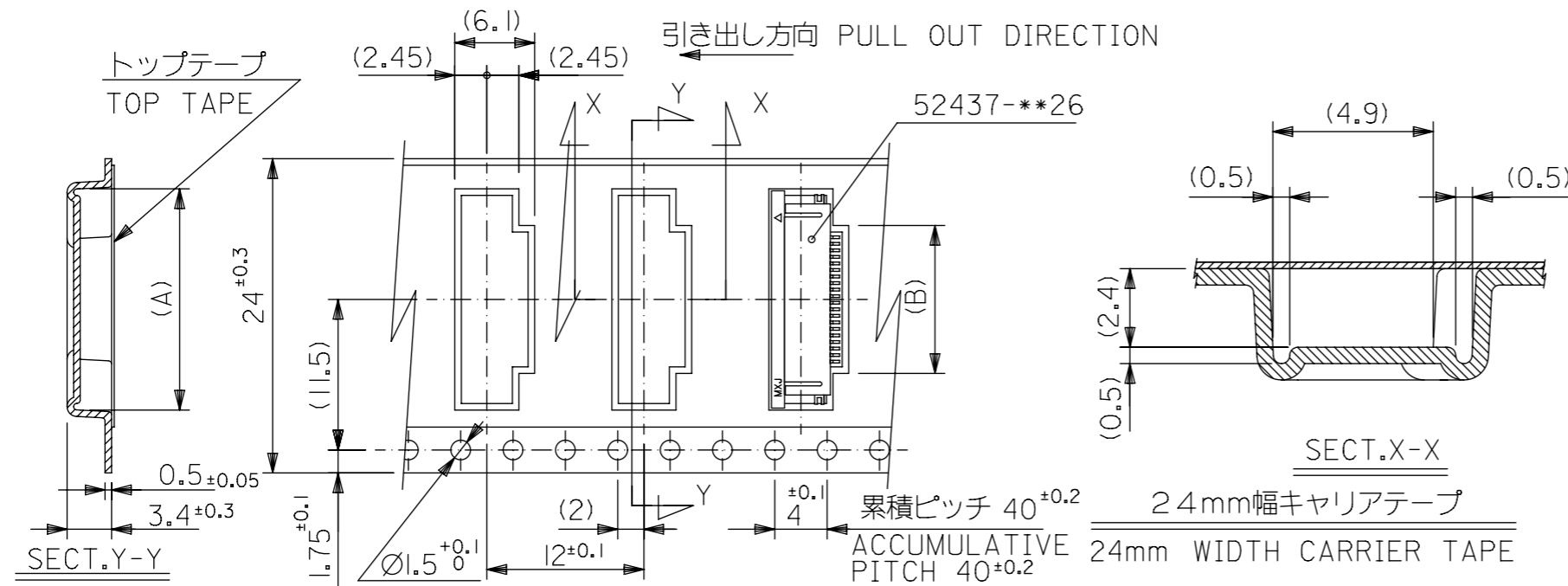
PEELING OFF FORCE OF TOP TAPE
0.1N ~1.3N{10gf ~130gf}(PEELING DIRECTION AS SHOWN IN FOLLOWING FIG.)
THIS REQUIREMENT SHOULD BE APPLIED AT SHIPMENT
PEEL OFF SHOULD NOT BE ALLOWED,
DURING TRANSPORTATION



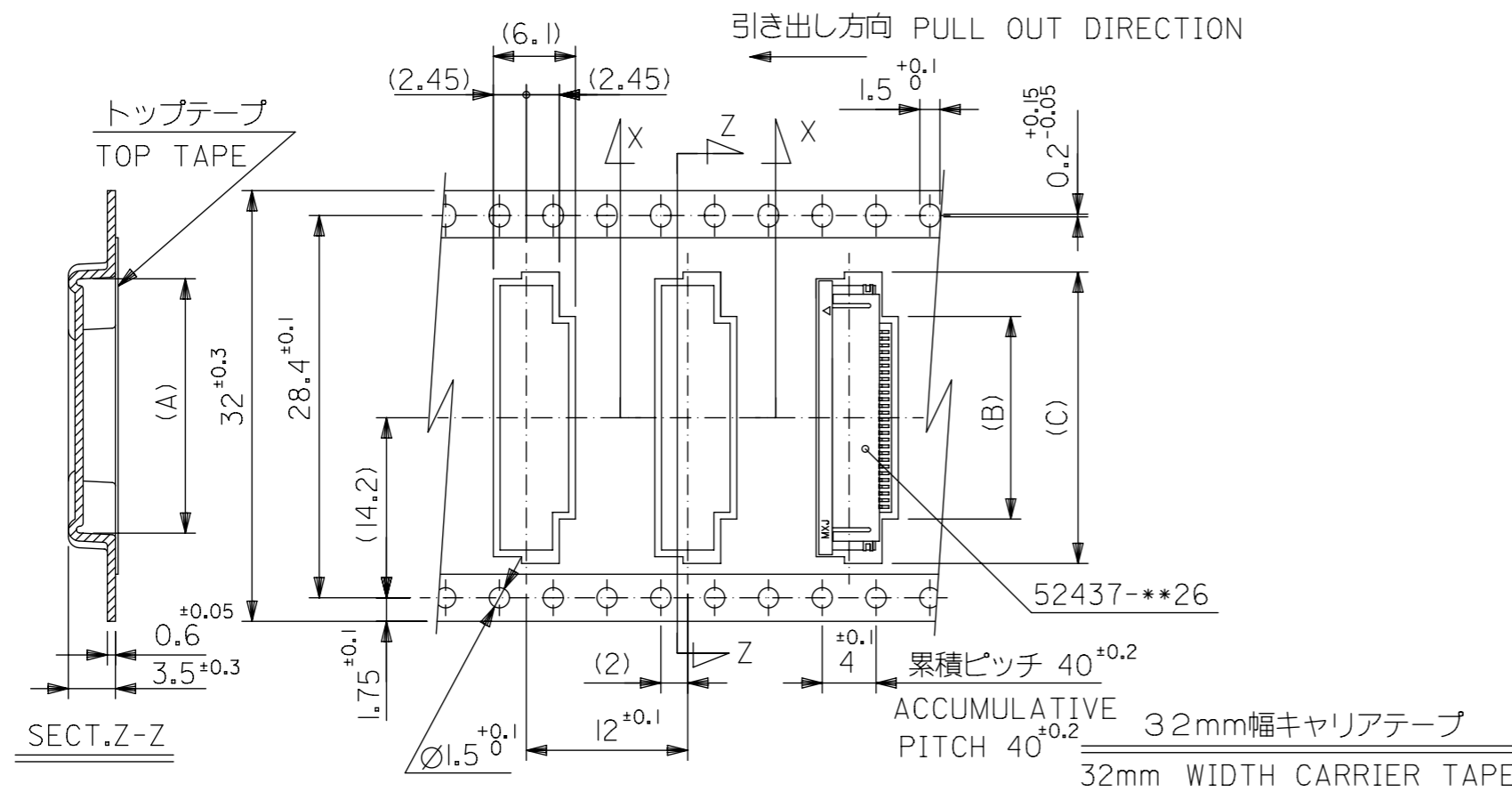
- 材料 (MATERIAL)
キャリアテープ (CARRIER TAPE) :ポリプロピレン (POLYPROPYLENE)
トップテープ (TOPTAPE) : PET, PE, PEF
リール (REEL) : ポリスチレン (PS) <リサイクル材を含む>
POLYSTYREN (PS) <RECYCLE MATERIAL CONTAINED>

- 本製品は 52437-**91 の鉛フリー品である。
THIS PRODUCT IS LEAD FREE OF 52437-**91.

THIS DRAWING CONTAINS INFORMATION THAT IS PROPRIETARY TO MOLEX ELECTRONIC TECHNOLOGIES, LLC AND SHOULD NOT BE USED WITHOUT WRITTEN PERMISSION		CURRENT REV DESC:		molex	
DIMENSION UNITS	SCALE				
mm	NTS			0.5 FPC CONN ZIF SMT RA EMBSTP PKG -LEAD FREE-	
GENERAL TOLERANCES (UNLESS SPECIFIED)		GENERAL TOLERANCES (UNLESS SPECIFIED)		PRODUCT CUSTOMER DRAWING	
ANGULAR TOL ±		ANGULAR TOL ±		DOCUMENT NUMBER	
4 PLACES ±		4 PLACES ±		SD-52437-018	
3 PLACES ±		3 PLACES ±		DOC TYPE	
2 PLACES ±		2 PLACES ±		PSD	
1 PLACE ±		1 PLACE ±		DOC PART	
0 PLACES ±		0 PLACES ±		001	
DRAFT WHERE APPLICABLE MUST REMAIN WITHIN DIMENSIONS		THIRD ANGLE PROJECTION		REVISION	
				B	
GENERAL TOLERANCES (UNLESS SPECIFIED)		EC NO: 719890		MATERIAL NUMBER	
10 ^{UNDER} ±0.2		DRWN: NARENC 2022/08/23		CUSTOMER	
10 ^{OVER} 30 ^{UNDER} ±0.25		CHK'D: SMARUYAMA 2022/09/05		GENERAL MARKET	
30 ^{OVER} ±0.3		APPR: YNAITO 2022/09/05		SHEET NUMBER	
ANGULAR ±3°		INITIAL REVISION:		1 OF 3	
		DRWN: YSAKIYAMA 2004/01/16			
		APPR: MSASAO 2004/01/19			
		DRAWING			
		A3-SIZE			
		SERIES			
		52437			



24	29.4	25.4	11.8	17.4	52437-2172	21
キャリアテープ幅 CARRIER TAPE WIDTH	E	D	(B)	(A)	MATERIAL NO.	極数 CIRCUIT

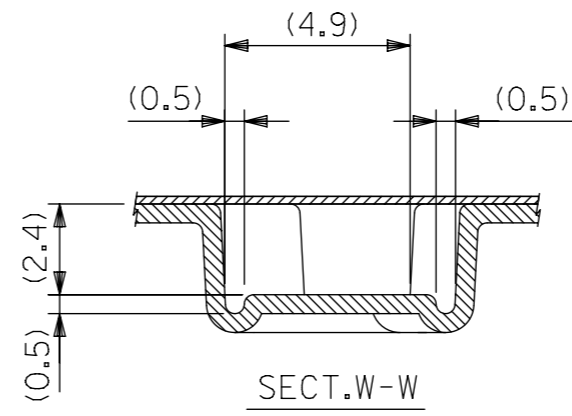
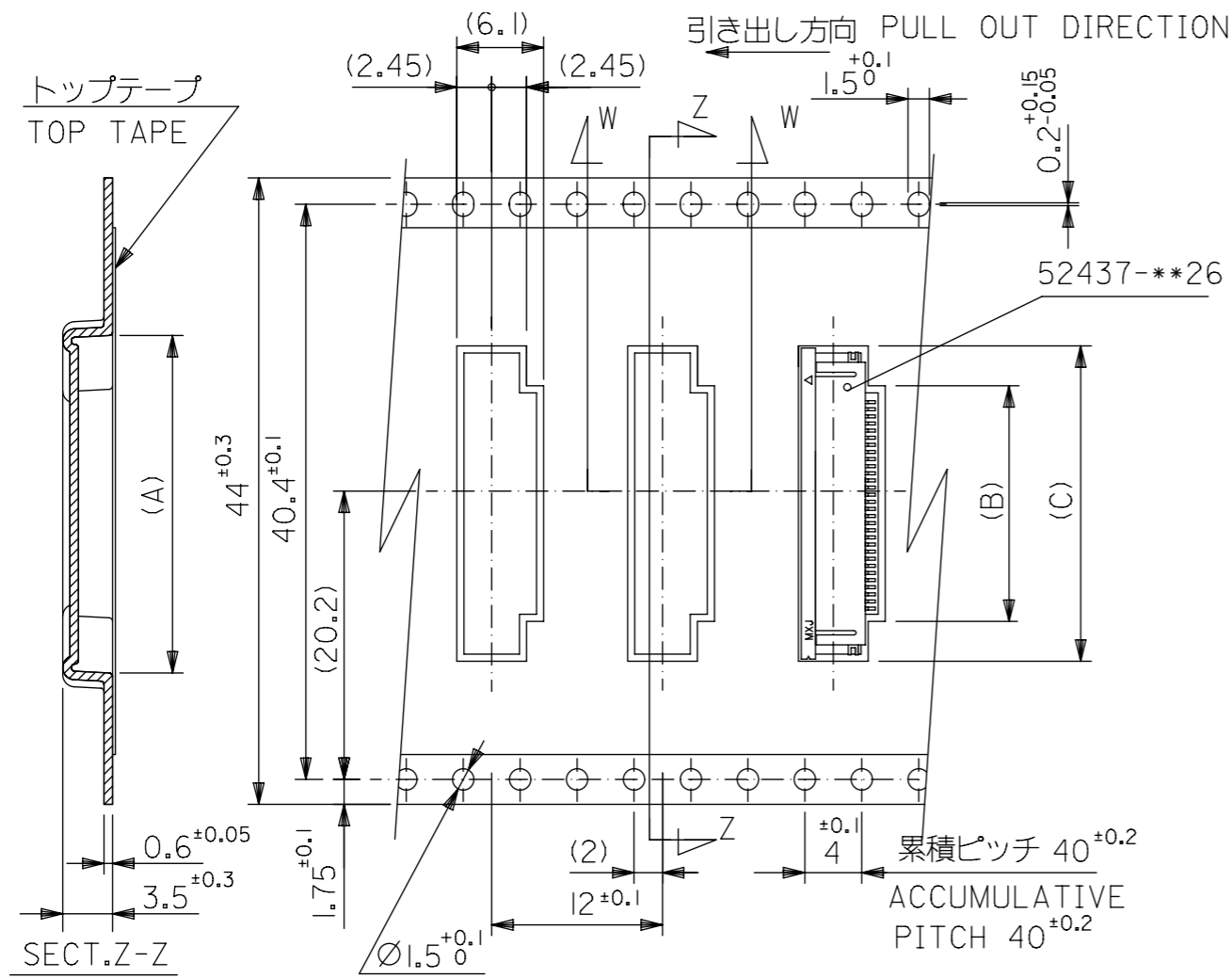


32	37.4	33.4	22.4	15.8	21.4	52437-2972	29
			21.9	15.3	20.9	-2872	28
			21.4	14.8	20.4	-2772	27
			20.9	14.3	19.9	-2672	26
			20.4	13.8	19.4	-2572	25
			19.9	13.3	18.9	-2472	24
			19.4	12.8	18.4	-2372	23
			18.9	12.3	17.9	52437-2272	22
キャリアテープ幅 CARRIER TAPE WIDTH	E	D	(C)	(B)	(A)	MATERIAL NO.	極数 CIRCUIT

THIS DRAWING CONTAINS INFORMATION THAT IS PROPRIETARY TO MOLEX ELECTRONIC TECHNOLOGIES, LLC AND SHOULD NOT BE USED WITHOUT WRITTEN PERMISSION

DIMENSION UNITS	SCALE	CURRENT REV DESC.	molex		
mm	NTS				
GENERAL TOLERANCES (UNLESS SPECIFIED)			0.5 FPC CONN ZIF SMT RA EMBSTP PKG -LEAD FREE-		
ANGULAR TOL ±			PRODUCT CUSTOMER DRAWING		
4 PLACES	±	EC NO: 719890	DOCUMENT NUMBER		
3 PLACES	±	DRWN: NARENC	2022/08/23	DOC TYPE	DOC PART
2 PLACES	±	CHK'D: SMARUYAMA	2022/09/05	SD-52437-018	PSD 001
1 PLACE	±	APPR: YNAITO	2022/09/05	REVISION	
0 PLACES	±	INITIAL REVISION:	2004/01/16	B	
DRAFT WHERE APPLICABLE MUST REMAIN WITHIN DIMENSIONS			DRWN: YSAKIYAMA	SHEET NUMBER	
THIRD ANGLE PROJECTION			APPR: MSASAO	2 OF 3	
DRAWING			SERIES	MATERIAL NUMBER	CUSTOMER
A3-SIZE			52437	SEE TABLE	GENERAL MARKET

GENERAL TOLERANCES (UNLESS SPECIFIED)	
10 ^{UNDER}	±0.2
10 ^{OVER} 30 ^{UNDER}	±0.25
30 ^{OVER}	±0.3
ANGULAR	±3°



44mm幅キャリアテープ
44mm WIDTH CARRIER TAPE

44	49.4	45.4	22.9	16.3	21.9	52437-3072	30
キャリアテープ幅 CARRIER TAPE WIDTH	E	D	(C)	(B)	(A)	MATERIAL NO.	極数 CIRCUIT

THIS DRAWING CONTAINS INFORMATION THAT IS PROPRIETARY TO MOLEX ELECTRONIC TECHNOLOGIES, LLC AND SHOULD NOT BE USED WITHOUT WRITTEN PERMISSION

DIMENSION UNITS	SCALE	CURRENT REV DESC:		molex			
mm	NTS						
GENERAL TOLERANCES (UNLESS SPECIFIED)				0.5 FPC CONN ZIF SMT RA EMBSTP PKG -LEAD FREE-			
ANGULAR TOL ±				PRODUCT CUSTOMER DRAWING			
4 PLACES ±				EC NO: 719890	DOCUMENT NUMBER		
3 PLACES ±				DRWN: NARENC	2022/08/23	SD-52437-018	
2 PLACES ±				CHK'D: SMARUYAMA	2022/09/05	PSD	001
1 PLACE ±				APPR: YNAITO	2022/09/05	REVISION	
0 PLACES ±				INITIAL REVISION:		B	
DRAFT WHERE APPLICABLE MUST REMAIN WITHIN DIMENSIONS				DRWN: YSAKIYAMA	2004/01/16	SHEET NUMBER	
THIRD ANGLE PROJECTION				APPR: MSASAO	2004/01/19	SEE TABLE	3 OF 3
DRAWING				SERIES	MATERIAL NUMBER	CUSTOMER	
A3-SIZE				52437	GENERAL MARKET		

GENERAL TOLERANCES (UNLESS SPECIFIED)

10 ^{UNDER}	±0.2
10 ^{OVER} 30 ^{UNDER}	±0.25
30 ^{OVER}	±0.3
ANGULAR	±3°