



50 ohm MCX plug to MCX jack DC Block inner
 from 10MHz to 6GHz rated 50 Volt in Brass

DC Blocks Technical Data Sheet

PE8269

Features

- Inner DC Blocks with Brass Body
- MCX connectorized configuration
- Operates from 10 MHz to 6 GHz
- 50 Ohm Impedance

Applications

- Test & Measurement
- Ground Loop Elimination
- Signal to Noise Ratio (SNR) Improvement

Description

Pasternack's PE8269 is an inner DC block with MCX connectors. It has a blocking capacitor on the inner conductor and operates from 10 MHz to 6 GHz. Our MCX DC block offers good insertion loss of 0.5 dB and has a maximum operating voltage of 50 Vdc. DC blocks are commonly used to filter out unwanted DC signals, while allowing AC drive signals to pass through. They can help improve signal to noise ratio (SNR), eliminate ground loops, or provide isolation in your test setup. All of Pasternack's DC blocks are in stock and available to ship same-day.

Electrical Specifications

| Description | Minimum | Typical | Maximum | Units |
|------------------------|---------|---------|---------|-------|
| Frequency Range | 0.01 | | 6 | GHz |
| Impedance | | 50 | | Ohms |
| VSWR | | | 1.32:1 | |
| Insertion Loss | | | 0.5 | dB |
| Operating Voltage (DC) | | | 50 | Volts |

Mechanical Specifications

Size

| | |
|--------|---------------------|
| Length | 0.888 in [22.56 mm] |
| Width | 0.276 in [7.01 mm] |
| Height | 0.276 in [7.01 mm] |
| Weight | 0.05 lbs [22.68 g] |

Housing Material and Plating: Brass, Tri-Metal

Configuration

Package Type: Connectorized

| Description | Connector 1 | Connector 2 |
|--------------------------------------|------------------------|-------------|
| Type | MCX Male | MCX Female |
| Inner Conductor Material and Plating | Beryllium Copper, Gold | Brass, Gold |

Click the following link (or enter part number in "SEARCH" on website) to obtain additional part information including price, inventory and certifications: [50 ohm MCX plug to MCX jack DC Block inner from 10MHz to 6GHz rated 50 Volt in Brass PE8269](#)



50 ohm MCX plug to MCX jack DC Block inner
from 10MHz to 6GHz rated 50 Volt in Brass

DC Blocks Technical Data Sheet

PE8269

Compliance Certifications (see [product page](#) for current document)

Plotted and Other Data

Notes:

50 ohm MCX plug to MCX jack DC Block inner from 10MHz to 6GHz rated 50 Volt in Brass from Pasternack Enterprises has same day shipment for domestic and International orders. Our RF, microwave and millimeter wave products maintain a 99.4% availability and are part of the broadest selection in the industry.

Click the following link (or enter part number in "SEARCH" on website) to obtain additional part information including price, inventory and certifications: [50 ohm MCX plug to MCX jack DC Block inner from 10MHz to 6GHz rated 50 Volt in Brass PE8269](#)

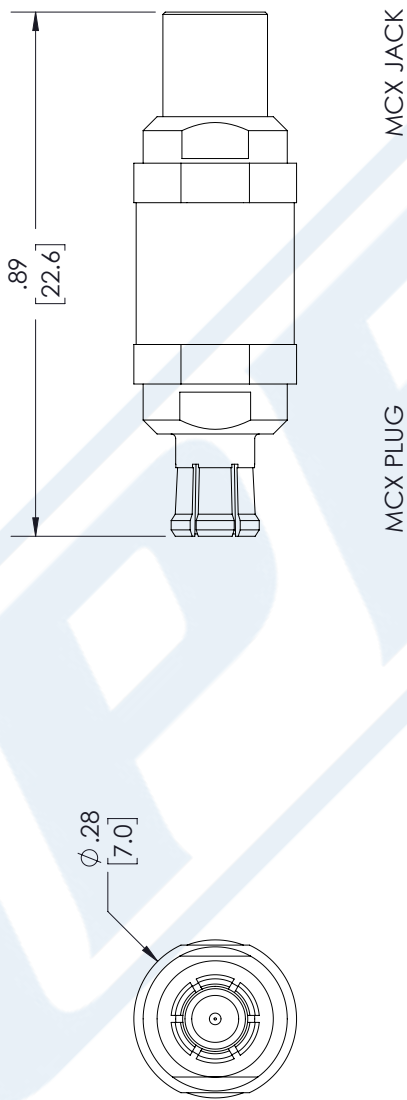
URL: <https://www.pasternack.com/50-ohm-mcx-dc-block-10-mhz-6-ghz-pe8269-p.aspx>

The information contained in this document is accurate to the best of our knowledge and representative of the part described herein. It may be necessary to make modifications to the part and/or the documentation of the part, in order to implement improvements. Pasternack reserves the right to make such changes as required. Unless otherwise stated, all specifications are nominal. Pasternack does not make any representation or warranty regarding the suitability of the part described herein for any particular purpose, and Pasternack does not assume any liability arising out of the use of any part or documentation.

PE8269 CAD Drawing

50 ohm MCX plug to MCX jack DC Block inner from 10MHz to 6GHz rated 50 Volt in Brass

| REVISIONS | | | |
|-----------|-----------------|---------|----------|
| REV. | DESCRIPTION | DATE | APPROVED |
| A | INITIAL RELEASE | 1/25/22 | JNAJERA |



UNLESS OTHERWISE SPECIFIED
LEADING DIMENSIONS ARE INCHES
DIMENSIONS IN [] ARE MILLIMETERS

TOLERANCES:

| | | | |
|--------------|-------|-------------|--------|
| .X = ±.2 | [.08] | FRACTIONS | |
| .XX = ±.02 | [.51] | | ±.1/32 |
| .XXX = ±.005 | [.13] | ANGLES ± 1° | |

CABLE LENGTH (L) TOLERANCES:

| | | |
|----------------------|--------|-----------------|
| L ≤ 12 | [305] | = +1 [25] / -0 |
| 12 [305] < L ≤ 60 | [1524] | = +2 [51] / -0 |
| 60 [1524] < L ≤ 120 | [3048] | = +4 [102] / -0 |
| 120 [3048] < L ≤ 300 | [7620] | = +6 [152] / -0 |
| 300 [7620] < L | | = +5%L / -0 |

ALL DIMENSIONS SHOWN
ARE FOR REFERENCE ONLY.

(PE) PASTERNAK
an INFINITI® brand

Pasternack Enterprises, Inc.
P. O. Box 16759, Irvine, CA 92623.
Phone: 1.949.261.1920 | 1.866.727.8376
Fax: 1.949.261.7451
Website: www.pasternack.com
E-mail: sales@pasternack.com

ITEM NO. **PE8269**

THIRD-ANGLE PROJECTION

THE INFORMATION AND
DESIGN IN THIS DOCUMENT
IS THE PROPERTY OF
PASTERNAK CORPORATION
ALL RIGHTS RESERVED.

SHEET **1** OF **1**

SCALE **N/A**

REV **A**

THESE COMMODITIES, TECHNOLOGY OR SOFTWARE WERE EXPORTED FROM THE UNITED STATES IN ACCORDANCE WITH THE EXPORT ADMINISTRATION REGULATIONS. DIVERSION CONTRARY TO U.S. LAW PROHIBITED.