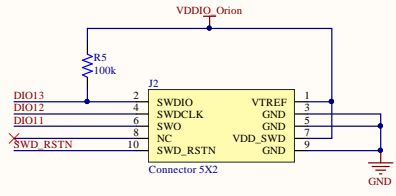


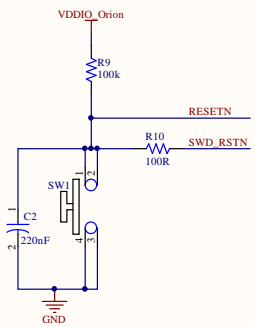
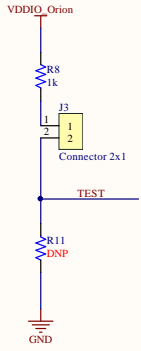


L*
W1



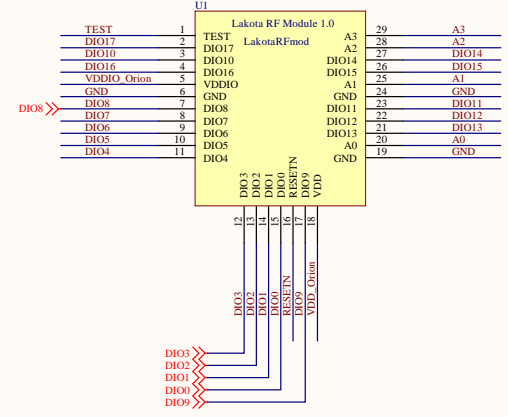
DIO3	1	J5	2	DIO9
DIO2	3	DIO3	4	DIO8
DIO1	5	DIO2	6	GND
DIO0	7	DIO1	8	GND
DIO11	9	DIO0	10	DIO13
DIO12	11	DIO11	12	RESETN
DIO6	14	DIO12	13	DIO7
VDDIO Orion	16	DIO6	15	VDD Orion
		VDD		VDDIO

POST_SOCKET_8x2



GND	1	J4	2	DIO17
GND	3		4	DIO10
GND	5		6	DIO16
GND	7		8	DIO7
GND	9		10	DIO6
GND	11		12	DIO5
GND	13		14	DIO4

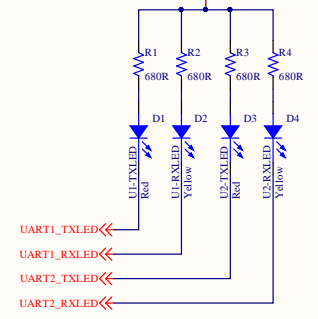
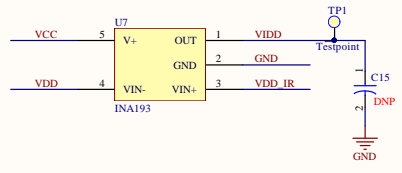
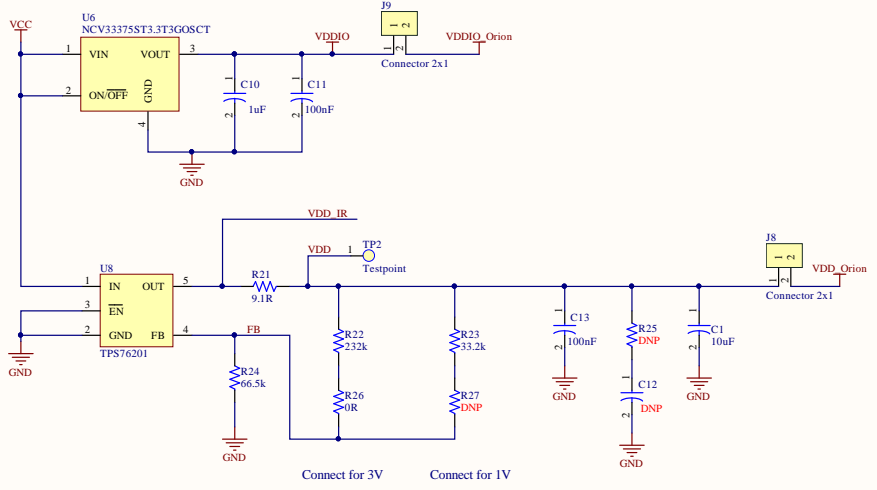
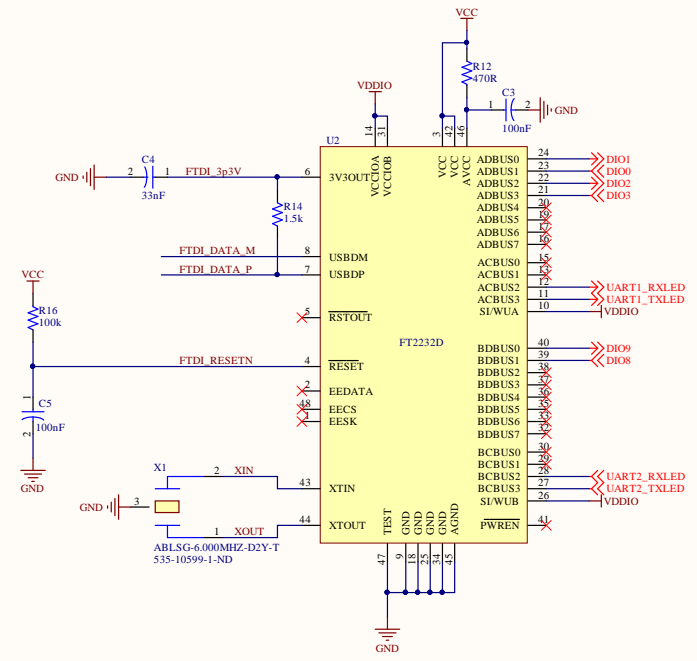
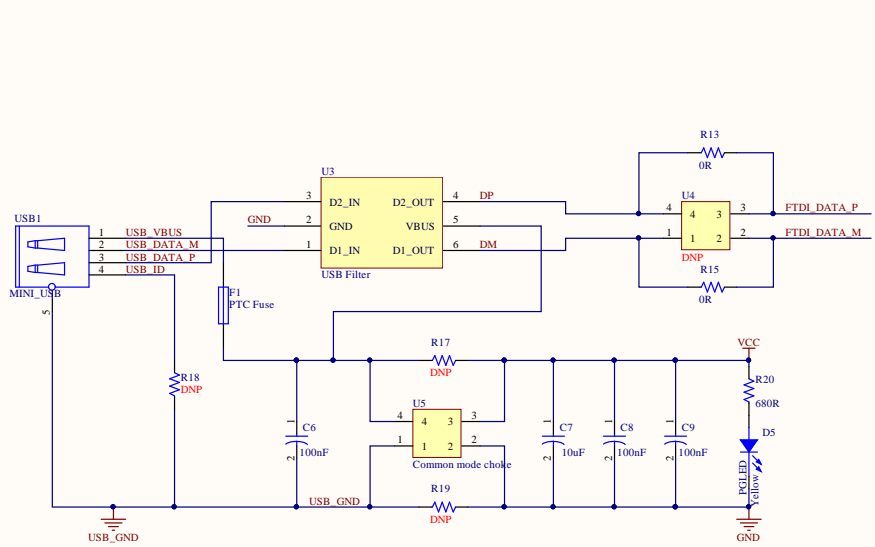
Connector 7X2



A3	1	J1	2	GND
A2	3		4	GND
DIO14	5		6	GND
DIO15	7		8	GND
A1	9		10	GND
A0	11		12	GND

Conn-6x2

Title		
Size	Number	Revision
Tabloid		
Date:	7/12/2016	Sheet of
File:	C:\Projects\jackpot.SchDoc	Drawn By:



Title		
Size	Number	Revision
Tabloid		
Date:	7/12/2016	Sheet of
File:	C:\Projects\jackpot_usb.SchDoc	Drawn By:

