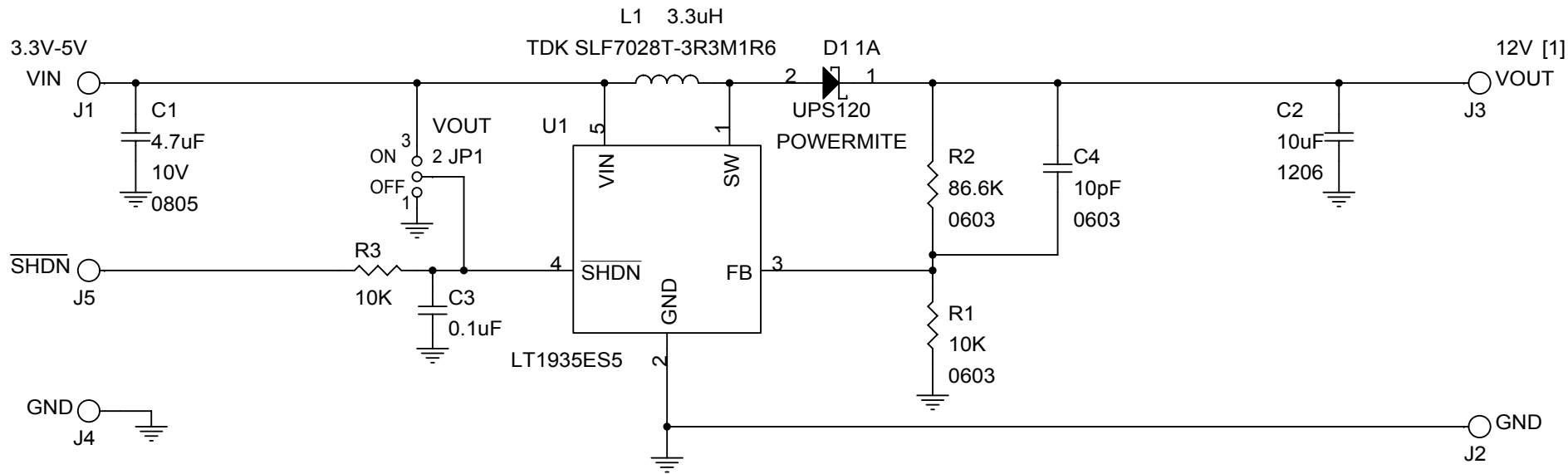


This circuit is proprietary to Linear Technology and supplied for use with Linear Technology parts.


Customer Notice: Linear Technology has made a best effort to design a circuit that meets customer-supplied specifications; however, it remains the customer's responsibility to verify proper and reliable operation in the actual application. Component substitution and printed circuit board layout may significantly affect circuit performance or reliability. Contact Linear Applications Engineering for assistance.

REVISION HISTORY				
ECO	REV	DESCRIPTION	DATE	APPROVED
	2	PROTO	01/26/04	



[1]

VIN	VOUT
3.3V	12V @ 400mA
5V	12V @ 600mA

CONTRACT NO.		 LINEAR TECHNOLOGY 1630 McCarthy Blvd. Milpitas, CA 95035 Phone: (408)432-1900 Fax: (408)434-0507			
APPROVALS	DATE				
DRAWN MEI	05/01/03	TITLE			
CHECKED		SCH, LT1935ES5 BOOST CONVERTER			
APPROVED		SIZE	CAGE CODE	DWG NO	REV
ENGINEER				DC683A	2
DESIGNER		SCALE:		FILENAME: 683A-2.DSN	SHEET 1 OF 1
Friday, February 06, 2004					