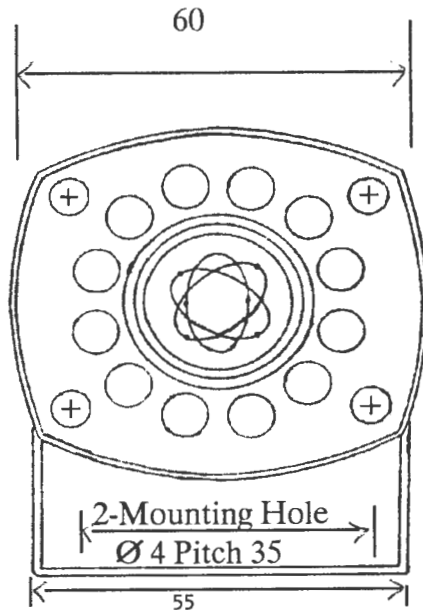
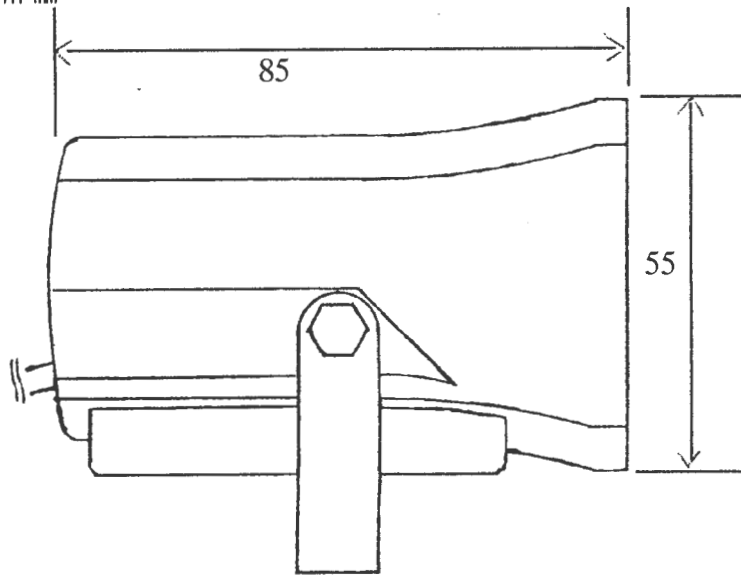


High Power Piezo Sounder

BPS6055L-12-C Series

SPECIFICATIONS

Dimensions in mm



Model No.	BPS6055L-12-C
Rated Voltage (VDC)	12
Operating Voltage (VDC)	6 - 12
Current (mA)	350
Sound Output at 1M (dB)	115
Frequency Range (Hz)	2500 - 3000
Operating Temperature (C)	-20 to +70
Storage Temperature (C)	-20 to +110

INTERVOX
International ©
 INTERNATIONAL COMPONENTS CORPORATION
 215 MCCORMICK DRIVE, BOHEMIA, NY 11716
 FAX: 631-952-9595 FAX: 631-952-9597

Title:
High Power Piezo Sounder

Intervox Model # BPS6055L-12-C	Rev A
Scale:	Date: 12/ 7/92
Sheet 1 of 1	