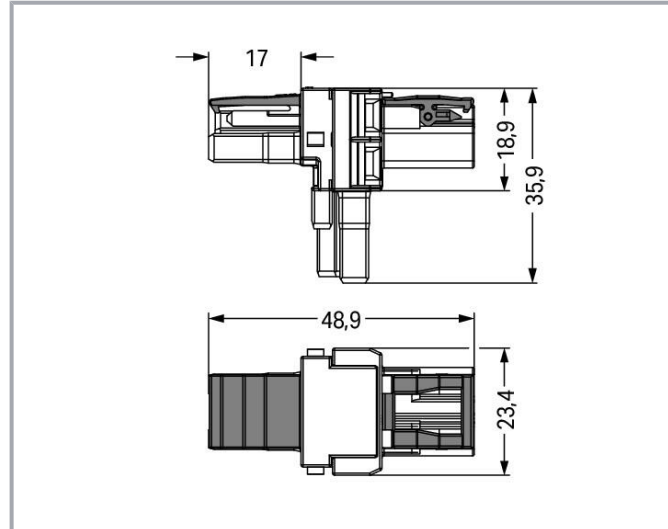
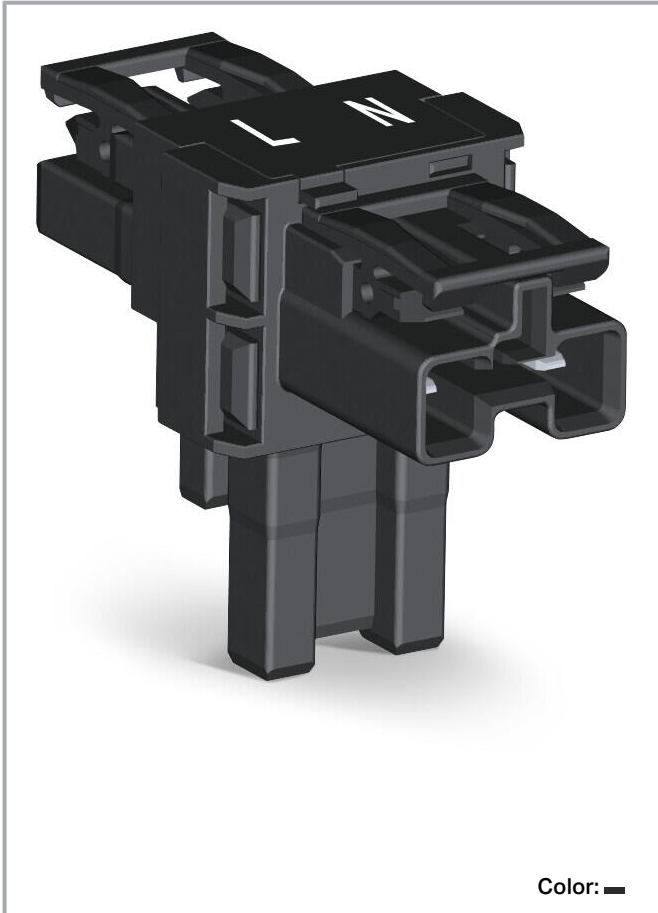


Data sheet | Item number: 770-1606

T-distribution connector; 2-pole; Cod. A; 1 input; 2 outputs; 2 locking levers;  
black



[www.wago.com/770-1606](http://www.wago.com/770-1606)



## Item description

### Distribution connector *WINSTA*® MIDI rated current 25 A

The *WINSTA*® MIDI distribution connector with protection against mismatching supports fast, reliable installation. WAGO pluggable installation connectors are useful when requirements repeat or are planned on a defined grid, for example for installing grid lighting or flush-mount lighting. For greater security in electrical installations, the pluggable installation connector is provided with mechanical protection against mismatching. The pluggable installation connector is protected against ingress by solid objects in accordance with protection type IP20 (When mated: IP2xC (These compact connectors are not designed for use in open, easily accessible areas!)). The *WINSTA*® MIDI pluggable installation connector with A coding in white or black is normally used for general mains applications in power distribution. This pluggable installation connector can be used for

Subject to changes. Please also observe the further product documentation!

WAGO GmbH & Co. KG  
Hansastr. 27  
32423 Minden  
Phone: +49571 887-0 | Fax: +49571 887-169  
Email: [info.de@wago.com](mailto:info.de@wago.com) | Web: [www.wago.com](http://www.wago.com)

Do you have any questions about our products?  
We are always happy to take your call at +49 (571) 887-44222.



electrical currents up to 25 A. Thus the product is ideally suitable for high power loads. *WINSTA*® MIDI with Push-in CAGE CLAMP® spring pressure connection technology is used in can be found in a variety of projects you can use for quick, easy, flexible, and secure installation.

## Lower costs through fast commissioning and elimination of service expenses – solutions from *WINSTA*® MIDI

The *WINSTA*® Pluggable Connection System allows pluggable electrical installation. This significantly reduces the need for servicing and lowers costs. Now you can also lower installation expenses without compromising quality and safety: The *WINSTA*® MIDI pluggable installation connector with protection against mismatching eliminates the need for servicing and prevents unnecessary downtime.

- effective protection against mismatching
- simple circuits
- with A coding for a great number of uses
- ready to install and use immediately
- convenient installation and commissioning

## Data

### Electrical data

#### Ratings per IEC/EN

|                               |   |
|-------------------------------|---|
| Ratings per                   | IEC/EN 60664-1  |
| Nominal voltage (III/3)       | 250 V   |
| Rated impulse voltage (III/3) | 4 kV  |
| Rated current                 | 25 A  |
| Legend (ratings)              | (III / 3) ≙ Overvoltage category III / Pollution degree 3 |

#### Ratings per UL 1977

|                         |  |
|-------------------------|--|
| Note for the US market  | Some versions may also be used for current interruption in accordance with the UL certificate in select applications with currents below 16 A and voltages up to 600 V. For further information, please contact your local sales office. |
| Rated voltage (UL 1977) | 600 V  |
| Rated current UL 1977   | 23 A   |

## General

|                            |  |
|----------------------------|--|
| Note on contact resistance | approx. 1 mΩ of contact resistance<br>approx. 0.25 mΩ contact transition plug/socket |
|----------------------------|--|

Subject to changes. Please also observe the further product documentation!

WAGO GmbH & Co. KG  
 Hansastr. 27  
 32423 Minden  
 Phone: +49571 887-0 | Fax: +49571 887-169  
 Email: [info.de@wago.com](mailto:info.de@wago.com) | Web: [www.wago.com](http://www.wago.com)

Do you have any questions about our products?  
 We are always happy to take your call at +49 (571) 887-44222.



## Connection data

|                            |   |
|----------------------------|---|
| Total number of potentials | 2 |
|----------------------------|---|

## Connection 1

|             |   |
|-------------|---|
| Pole number | 2 |
|-------------|---|

## Physical data

|             |                        |
|-------------|------------------------|
| Pin spacing | 10 mm / 0.394 inches   |
| Width       | 23.5 mm / 0.925 inches |
| Height      | 35.9 mm / 1.413 inches |
| Depth       | 48.9 mm / 1.925 inches |

## Mechanical Data

|   |   |
|---|---|
| Application                             | General mains applications  |
| Coding                                  | A   |
| Variable coding                         | No  |
| Marking                                 | L N   |
| Potential marking                       | L N   |
| Mating force of a plug-in connection    | approx. 20 ... 70 N (depending on pole number)  |
| Retention force of a plug-in connection | When locked: > 80 N   |
| Unmating force of a plug-in connection  | Unlocked: approx. 20 ... 70 N (depending on pole number)  |
| Number of mating cycles                 | 200, without resistive load   |
| Type of distribution box                | T-distribution connector  |
| Protection type                         | IP20; When mated: IP2xC (These compact connectors are not designed for use in open, easily accessible areas!) |

## Plug-in connection

|                                    |  |
|------------------------------------|--|
| Contact type (pluggable connector) | Socket/plug  |
| Mismating protection               | Yes  |
| Note on mismating protection       | All <b>WINSTA</b> <sup>®</sup> components are 100% protected against mismating when:<br>a.) plugging different numbers of poles<br>b.) plugging while rotated 180<br>c.) plugging while laterally staggered<br>d.) plugging one pole |
| Locking lever                      | yes  |

Subject to changes. Please also observe the further product documentation!



Locking of plug-in connection

locking lever

Note on locking system

All connectors for mounted installations (snap-in versions for lighting fixtures or devices, all types of PCB and distribution connectors) are factory-equipped with locking levers to ensure plugs and sockets are securely locked. Additional locking levers are only required for flying leads (plug/socket).

## Material Data

Note (material data)

Information on material specifications can be found here

|                             |   |
|-----------------------------|---|
| Color                       | black                                   |
| Insulation material         | Polyamide (PA66)                        |
| Flammability class per UL94 | V0                                      |
| Contact material            | Copper or copper alloy; surface-treated |
| Contact plating             | Tin                                     |
| Fire load                   | 0.239 MJ                                |
| Weight                      | 11 g                                    |

## Environmental requirements

|  |   |
|--|---|
| Processing temperature                   | -5 ... +40 °C                                   |
| Continuous operating temperature         | -35 ... +85 °C                                  |
| Note on continuous operating temperature | Insulating parts for temperatures $\leq 105$ °C |

## Commercial data

|                       |               |
|-----------------------|---------------|
| Product Group         | 20 (Winsta)   |
| eCl@ss 10.0           | 27-44-06-03   |
| eCl@ss 9.0            | 27-44-06-03   |
| ETIM 8.0              | EC002567      |
| ETIM 7.0              | EC002567      |
| PU (SPU)              | 50 pcs        |
| Packaging type        | box           |
| Country of origin     | DE            |
| GTIN                  | 4050821531326 |
| Customs tariff number | 85366990990   |

## Environmental Product Compliance

|                        |                         |
|------------------------|-------------------------|
| RoHS Compliance Status | Compliant, No Exemption |
|------------------------|-------------------------|


Subject to changes. Please also observe the further product documentation!

WAGO GmbH & Co. KG  
 Hansastr. 27  
 32423 Minden  
 Phone: +49571 887-0 | Fax: +49571 887-169  
 Email: [info.de@wago.com](mailto:info.de@wago.com) | Web: [www.wago.com](http://www.wago.com)








Do you have any questions about our products?  
 We are always happy to take your call at +49 (571) 887-44222.

## Approvals / Certificates

### General approvals

| Logo   | Approval                                | Additional Approval Text | Certificate name |
|--|---|--------------------------|------------------|
|  | cURus<br>Underwriters Laboratories Inc. | UL 1977                  | E45171           |


### Counterpart

|  |  |  |
|--|--|--|
|    | <b>Item no.770-102/041-000</b><br>Socket; with strain relief housing; 2-pole; Cod. A; 4,00 mm <sup>2</sup> ; black   | <a href="http://www.wago.com/770-102/041-000">www.wago.com/770-102/041-000</a>   |
|    | <b>Item no.770-112/041-000</b><br>Plug; with strain relief housing; 2-pole; Cod. A; 4,00 mm <sup>2</sup> ; black   | <a href="http://www.wago.com/770-112/041-000">www.wago.com/770-112/041-000</a>   |
|    | <b>Item no.770-202</b><br>Socket; 2-pole; Cod. A; 4,00 mm <sup>2</sup> ; black   | <a href="http://www.wago.com/770-202">www.wago.com/770-202</a>                   |
|   | <b>Item no.770-212</b><br>Plug; 2-pole; Cod. A; 4,00 mm <sup>2</sup> ; black   | <a href="http://www.wago.com/770-212">www.wago.com/770-212</a>                   |
|  | <b>Item no.771-8992/006-101</b><br>pre-assembled interconnecting cable; Eca; Socket/plug; 2-pole; Cod. A; H05VV-F 2 x 1.5 mm <sup>2</sup> ; 1 m; 1,50 mm <sup>2</sup> ; black  | <a href="http://www.wago.com/771-8992/006-101">www.wago.com/771-8992/006-101</a> |
|  | <b>Item no.771-8992/206-101</b><br>pre-assembled connecting cable; Eca; Plug/open-ended; 2-pole; Cod. A; H05VV-F 2 x 1.5 mm <sup>2</sup> ; 1 m; 1,50 mm <sup>2</sup> ; black   | <a href="http://www.wago.com/771-8992/206-101">www.wago.com/771-8992/206-101</a> |
|  | <b>Item no.771-8992/106-101</b><br>pre-assembled connecting cable; Eca; Socket/open-ended; 2-pole; Cod. A; H05VV-F 2 x 1.5 mm <sup>2</sup> ; 1 m; 1,50 mm <sup>2</sup> ; black | <a href="http://www.wago.com/771-8992/106-101">www.wago.com/771-8992/106-101</a> |

### Optional accessories

#### Cover

##### Cover

|  |  |  |
|--|--|--|
|  | <b>Item no.: 770-360</b><br>Lockout cap; for plugs; 5-pole; separable; yellow            | <a href="http://www.wago.com/770-360">www.wago.com/770-360</a> |
|  | <b>Item no.: 770-201</b><br>Lockout cap; 12-pole, separable; for sockets; Plastic; black | <a href="http://www.wago.com/770-201">www.wago.com/770-201</a> |

Subject to changes. Please also observe the further product documentation!



Item no.: 770-221

Lockout cap; 12-pole, separable; for sockets; Plastic; white

## Downloads

### Documentation

#### Bid Text

|                         |             |                |          |
|-------------------------|-------------|----------------|----------|
| 770-1606<br>X81 - Datei | 2019 Feb 19 | xml<br>2.8 kB  | Download |
| 770-1606<br>doc - Datei | 2015 Mar 12 | doc<br>23.0 kB | Download |

## CAD/CAE-Data

### CAE data

|                         |     |          |
|-------------------------|-----|----------|
| WSCAD Universe 770-1606 | URL | Download |
|-------------------------|-----|----------|

## Environmental Product Compliance

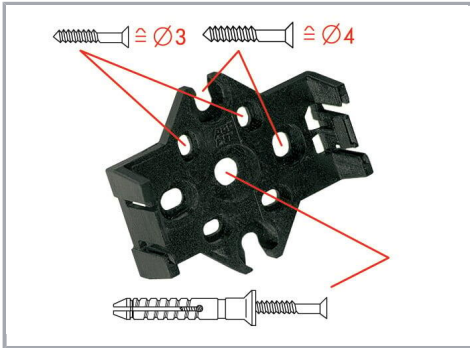
### Compliance Search

|  |     |          |
|--|-----|----------|
| Environmental Product Compliance 770-1606<br>T-distribution connector; 2-pole; Cod. A; 1 input; 2 outputs; 2 locking levers; black | URL | Download |
|--|-----|----------|

## Installation Notes

### Installation

Subject to changes. Please also observe the further product documentation!



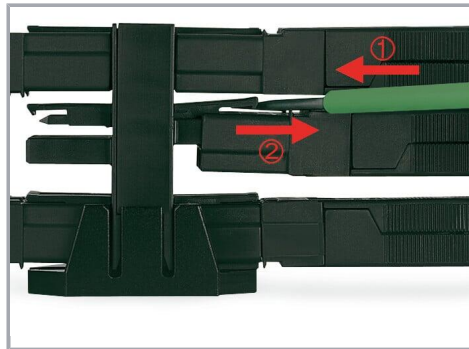
Mounting plates can be secured using commercially available screws or nail-drive anchors.



The distribution connectors snap together when attached to the mounting plate.



To release the distribution connector, unlock the latch using a screwdriver.



All distribution connector connections are locked and protected against accidental disconnection directly after mating. Locking of any connection is released using a screwdriver, even if all connections are used.

## Product family

**WINSTA® MIDI**

[Show all products from the family](#)

Subject to changes. Please also observe the further product documentation!