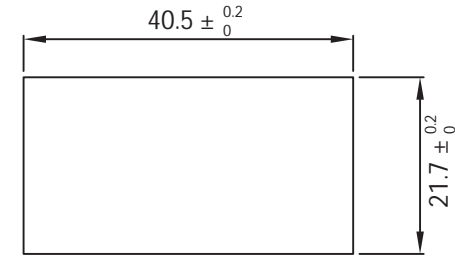
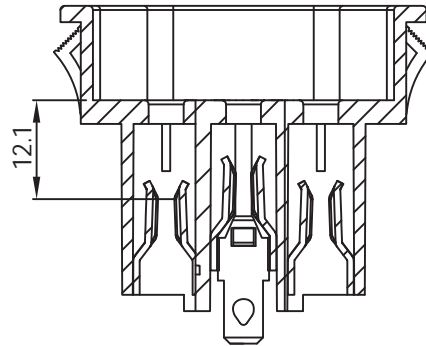
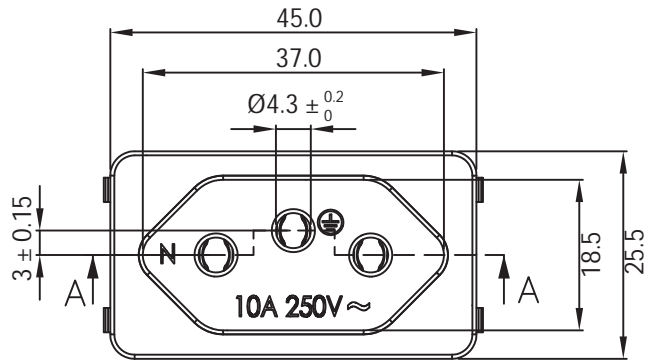
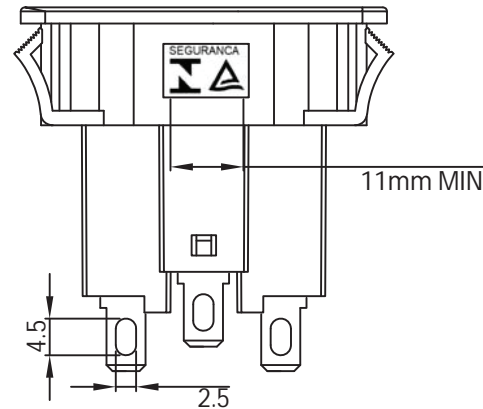
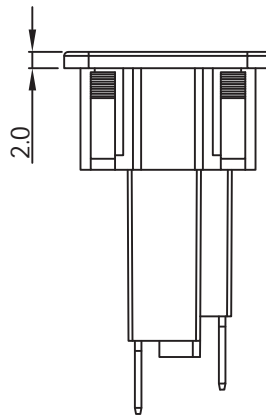
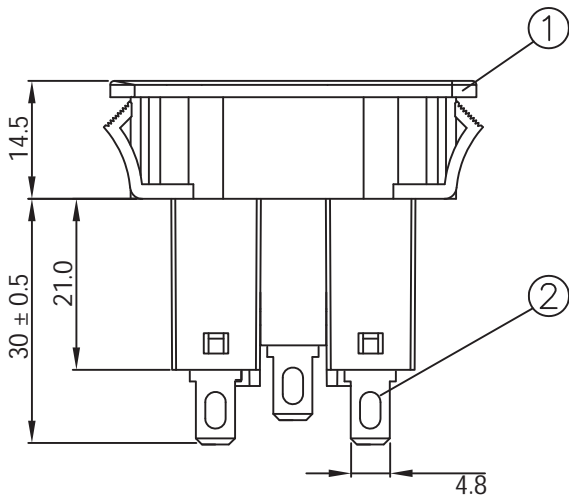


THESE DRAWINGS ARE THE PROPERTY OF QUALTEK ELECTRONICS AND NOT TO BE REPRODUCED FOR OR COMMUNICATED TO A THIRD PARTY WITHOUT THE EXPRESS WRITTEN PERMISSION OF AN OFFICER OF QUALTEK ELECTRONICS.

REVISION			
REV.	DESCRIPTION	DATE	APPROVED
B	Updated Terminal Specifications	01-10-22	LY



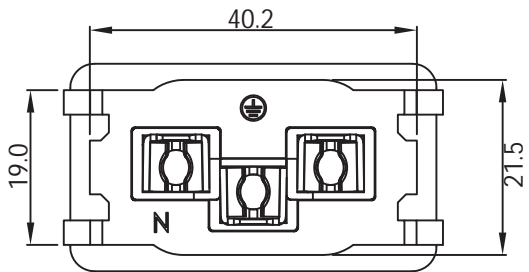
PANEL CUTOUT



NOTES:

- BODY COLOR: BLACK
- RATING: 10A 250V AC
- APPROVALS: TUV
- PANEL THICKNESS: 1.0mm ~ 2.0mm
- RoHS COMPLIANT

CONTROLLED



2	Contact PIN Brass Strip t=0.8mm Nickel Plated	3
1	Body Nylon Black Color	1

Dim range (mm)	Tolerance +/- (mm)	Qualtek Electronics Corp. PPC DIVISION		
		Part Number:	741W-J/01	RoHS Compliant
0-1	0.15	Description: BRAZIL AC RECEPTACLE		
1-6	0.20			
6-18	0.30	UNIT: mm	REV. B	
18-50	0.50		Approved / Date	
50-120	0.70	Drawn / Date	Checked / Date	Approved / Date
120-250	0.90	R.Nuti 09-28-20	09-28-20	LY / 09-28-20
250-500	1.20			