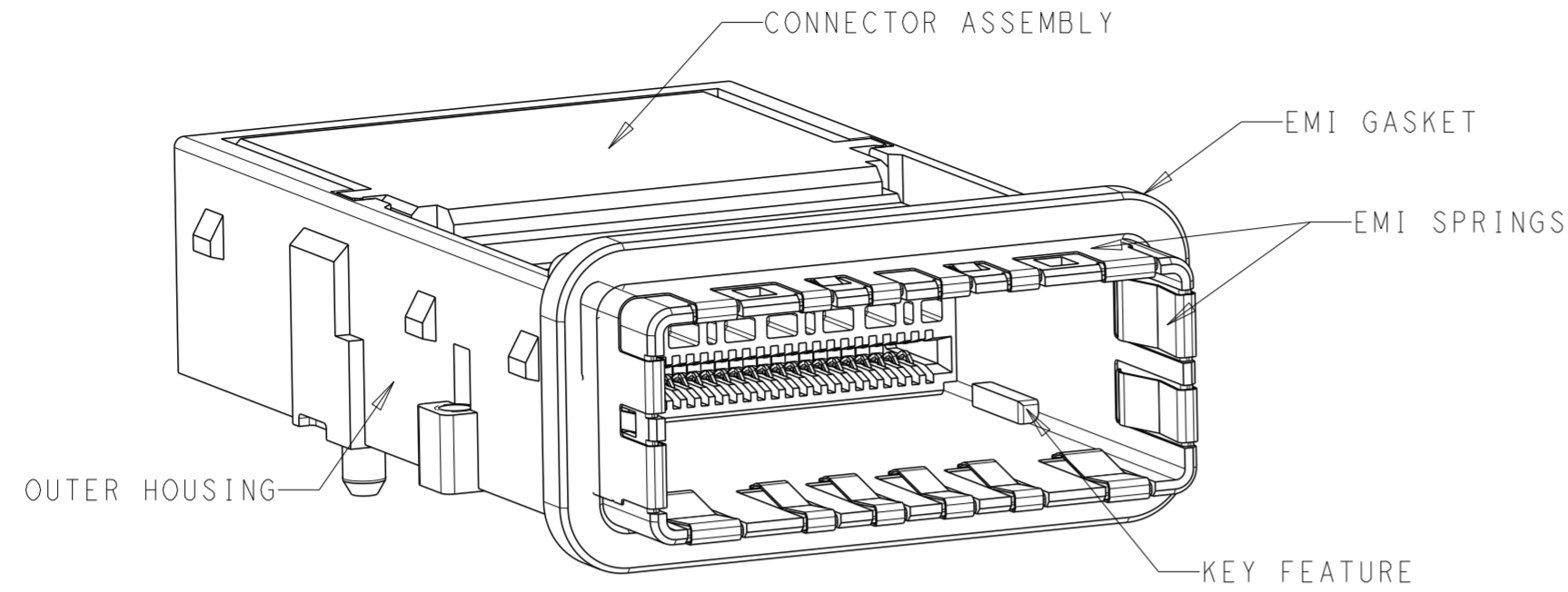
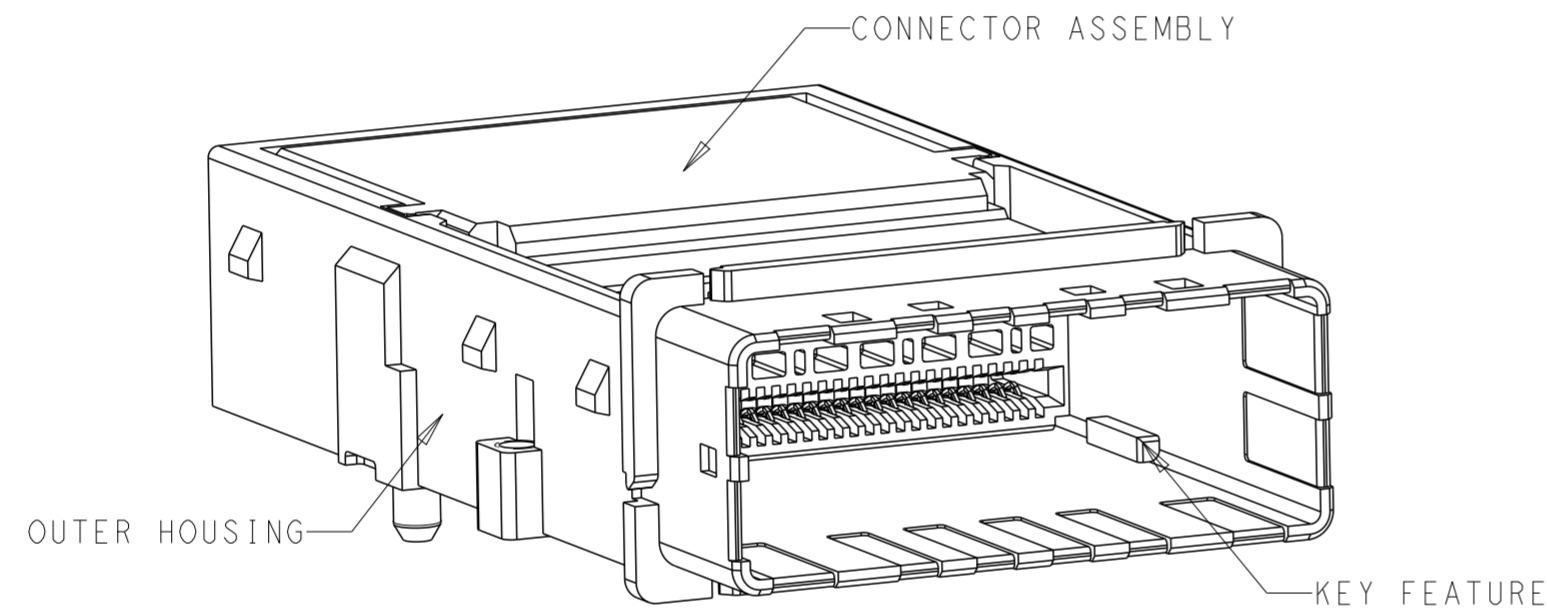


THIS DRAWING IS UNPUBLISHED. RELEASED FOR PUBLICATION 20  
 © COPYRIGHT 20 BY - ALL RIGHTS RESERVED.

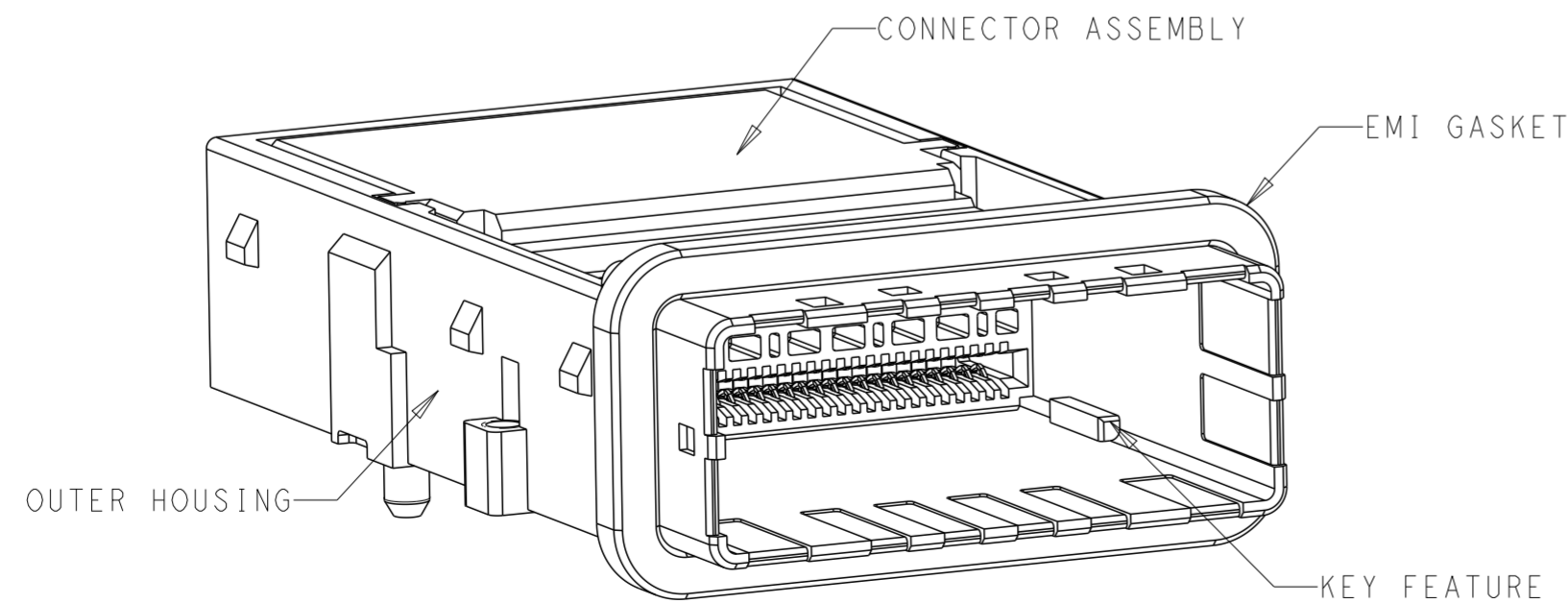
REVISIONS				
P	LTR	DESCRIPTION	DATE	APVD
E		REVISED PER ECN-22-145796	28MAR2022	JY SZ



2291931-1, -5 SHOWN  
 WITH EMI SPRING AND GASKET  
 SCALE 3:1



2291931-2, -3, -4 AS SHOWN  
 W/O EMISPRING AND GASKET  
 SCALE 3:1



2291931-6/-7 AS SHOWN  
 W/O EMISPRING AND W GASKET  
 SCALE 3:1

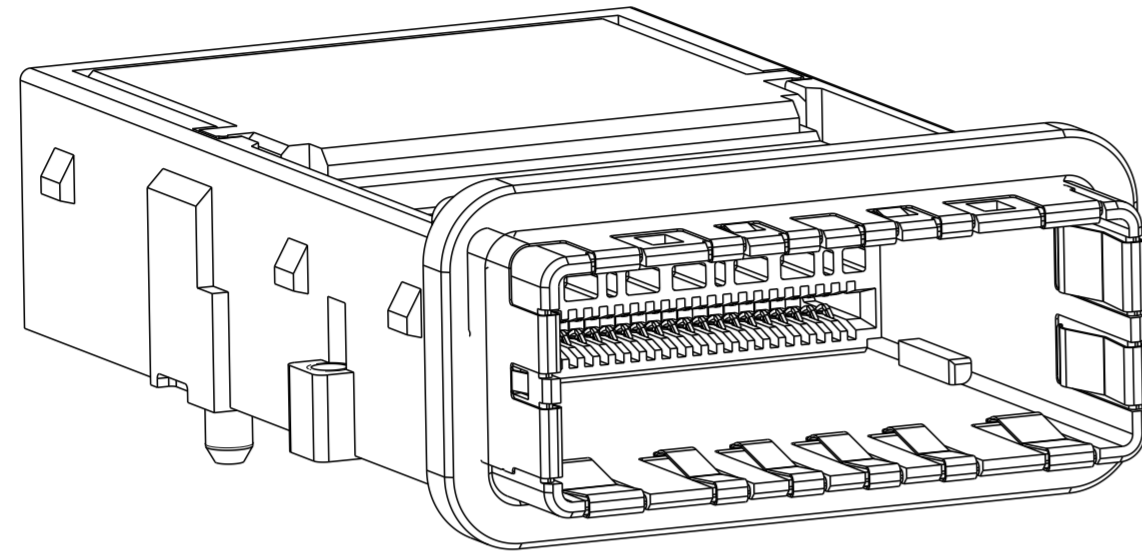
- MATERIALS:  
 OUTER HOUSING - NICKEL PLATED ZINC ALLOY PER ASTM B 240.  
 CONNECTOR HOUSINGS - LCP, UL 94V-0 RATED.  
 CHICKLETS - LCP, UL 94V-0 RATED.  
 CONTACTS - PHOSPHOR BRONZE.  
 EMI SPRINGS - COPPER ALLOY.  
 EMI GASKET - CONDUCTIVE ELASTOMER. (ALTERNATIVE FROM TWO SUPPLIERS.)
- CONTACT FINISH:  
 CONFORMS TO THE REQUIREMENTS OF TYCO ELECTRONICS PRODUCT SPECIFICATION 108-32065, BASED ON EIA/ECA-364-1000.01A, (CONTROLLED ENVIRONMENT APPLICATIONS) ON MATING INTERFACES.  
 MATTE TIN ON COMPLIANT PINS.
- PCB THICKNESS 1.57 MINIMUM.
- FOR HOLE SIZE AND PLATINGS, SEE APPLICATION SPEC 114-32114.
- CROSS HATCHED AREA INDICATES REQUIRED CONDUCTIVE AREA ON SURFACE OF PCB. NO COMPONENTS OR TOP SIDE SURFACE TRACES ALLOWED IN THIS AREA.
- MOUNTING HARDWARE REQUIRED:  
 3X M2X0.4 - SCREW LENGTH = PCB THICKNESS + (2 TO 4).
- CUSTOMIZED PACKAGE SPEC:  
 PLACE CONNCECTOR PIN FIELD DOWN IN PACKAGE.
- CUSTOMIZED PACKAGE SPEC:  
 DESIGNED NEW HARD PACKAGE FOR CUSTOMER PROCESS. AND PLACE CONNCECTOR PIN FIELD DOWN IN PACKAGE.

8	W/O EMI SPRING AND W GASKET	2291931-7
	W/O EMI SPRING AND W GASKET	2291931-6
8	W EMI SPRING AND GASKET	2291931-5
8	W/O EMI SPRING AND GASKET	2291931-4
7	W/O EMI SPRING AND GASKET	2291931-3
	W/O EMI SPRING AND GASKET	2291931-2
	W EMI SPRING AND GASKET	2291931-1
	DESCRIPTION	PART NUMBER

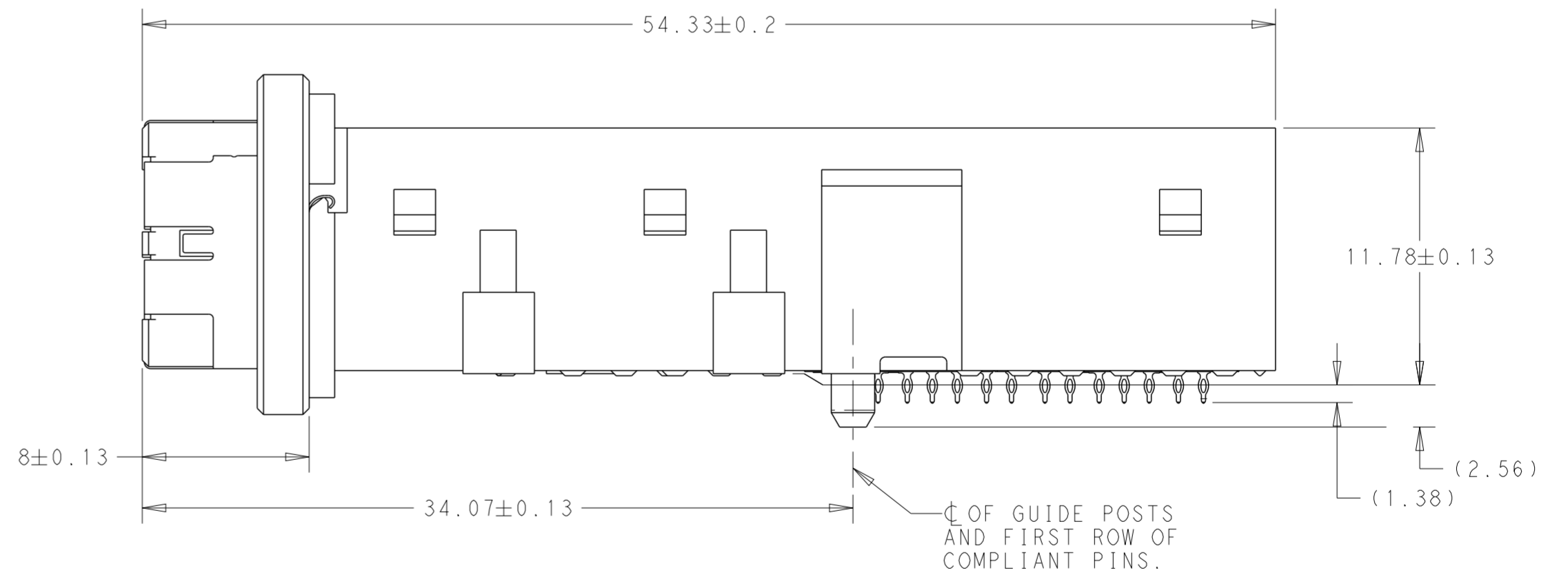
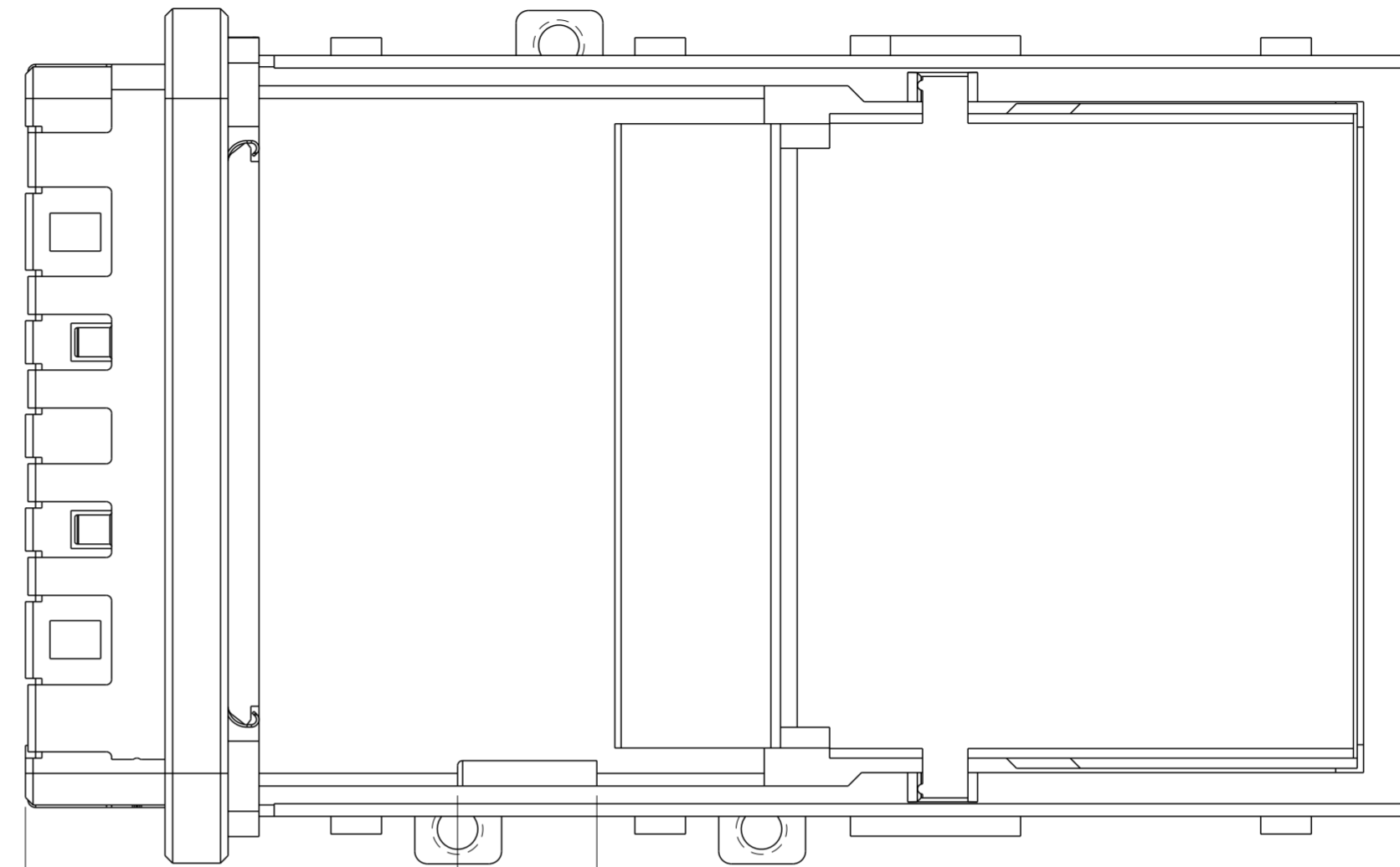
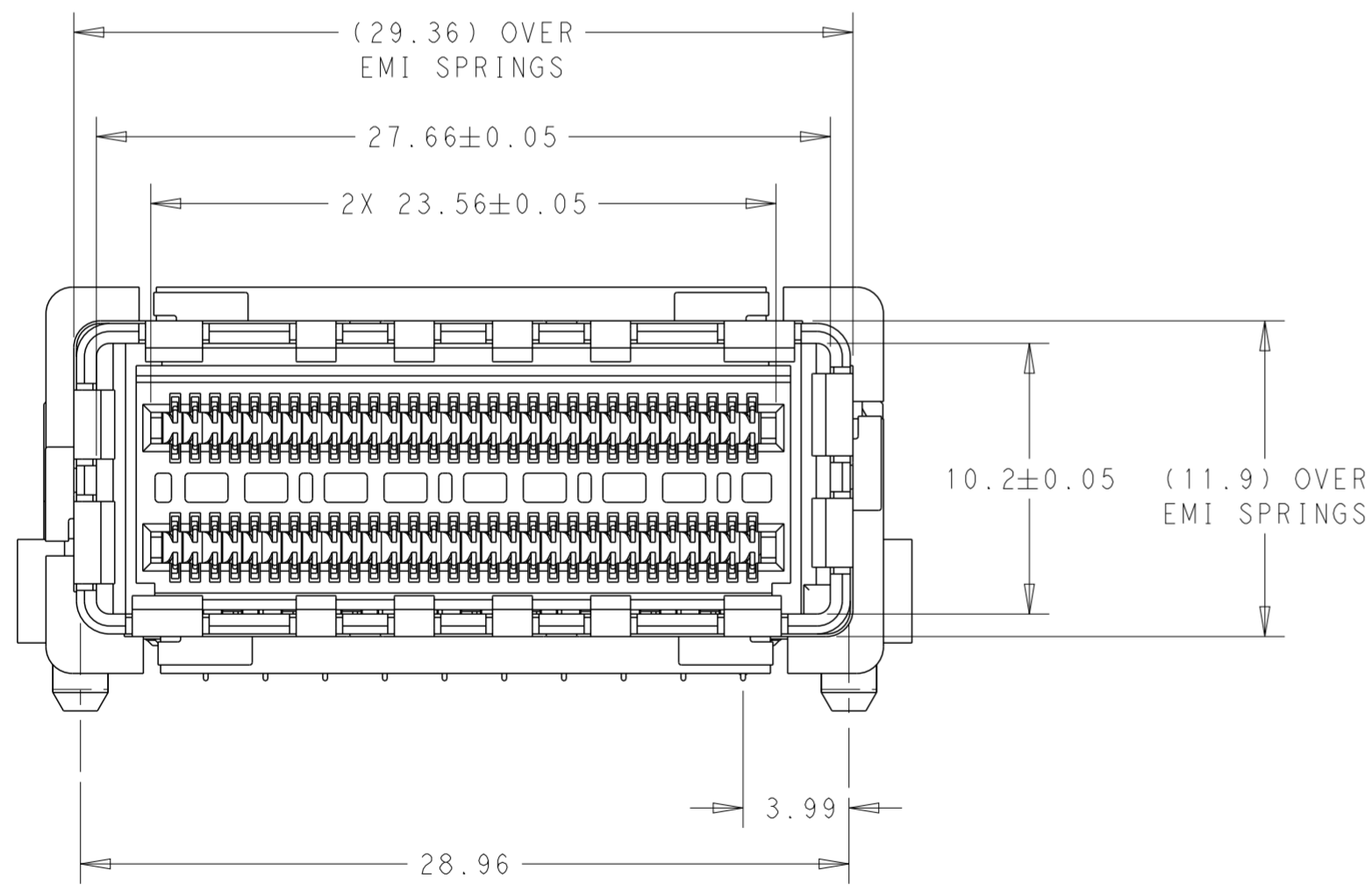
THIS DRAWING IS A CONTROLLED DOCUMENT.		DWN JASON YANG 30MAR2015	TE Connectivity	
DIMENSIONS: mm		CHK SEAN HAN 30MAR2015		
TOLERANCES UNLESS OTHERWISE SPECIFIED:		APVD SEAN HAN 30MAR2015		
0 PLC ±0.25 1 PLC ±0.25 2 PLC ±0.20 3 PLC ±0.15 4 PLC ± ANGLES ± FINISH -		PRODUCT SPEC 108-32065 APPLICATION SPEC 114-32114 WEIGHT - CUSTOMER DRAWING		
NAME RECEPTACLE, STYLE 1, CDFP			SIZE A2	CAGE CODE -
DRAWING NO C-2291931			RESTRICTED TO -	SCALE 4:1
SHEET 1 OF 6			REV E	


THIS DRAWING IS UNPUBLISHED. RELEASED FOR PUBLICATION 20  
 © COPYRIGHT 20 BY - ALL RIGHTS RESERVED.

REVISIONS				
P	LTR	DESCRIPTION	DATE	APVD
-	-	SEE SHEET 1	-	-



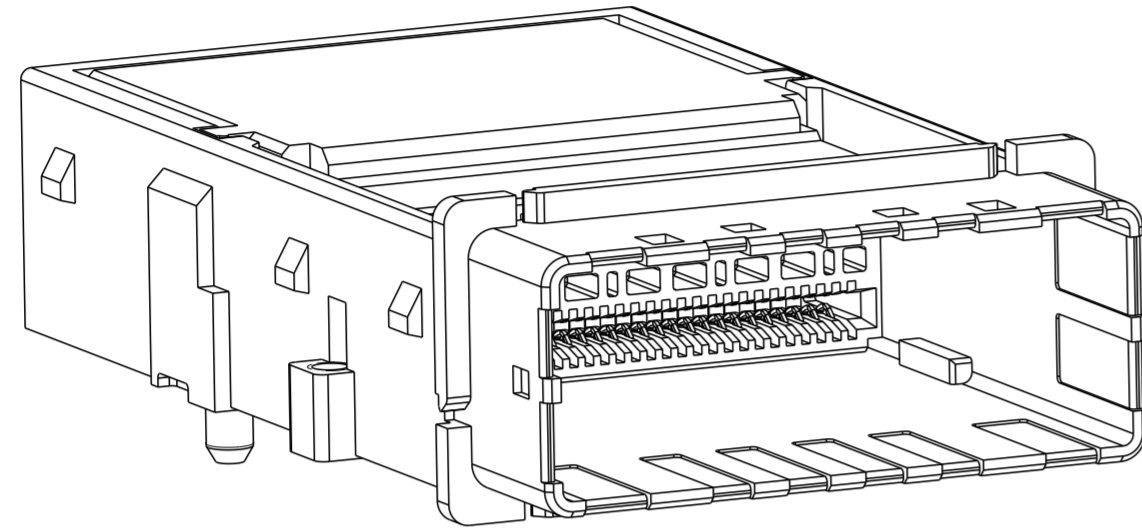
2291931-1, -5 SHOWN  
SCALE 3:1



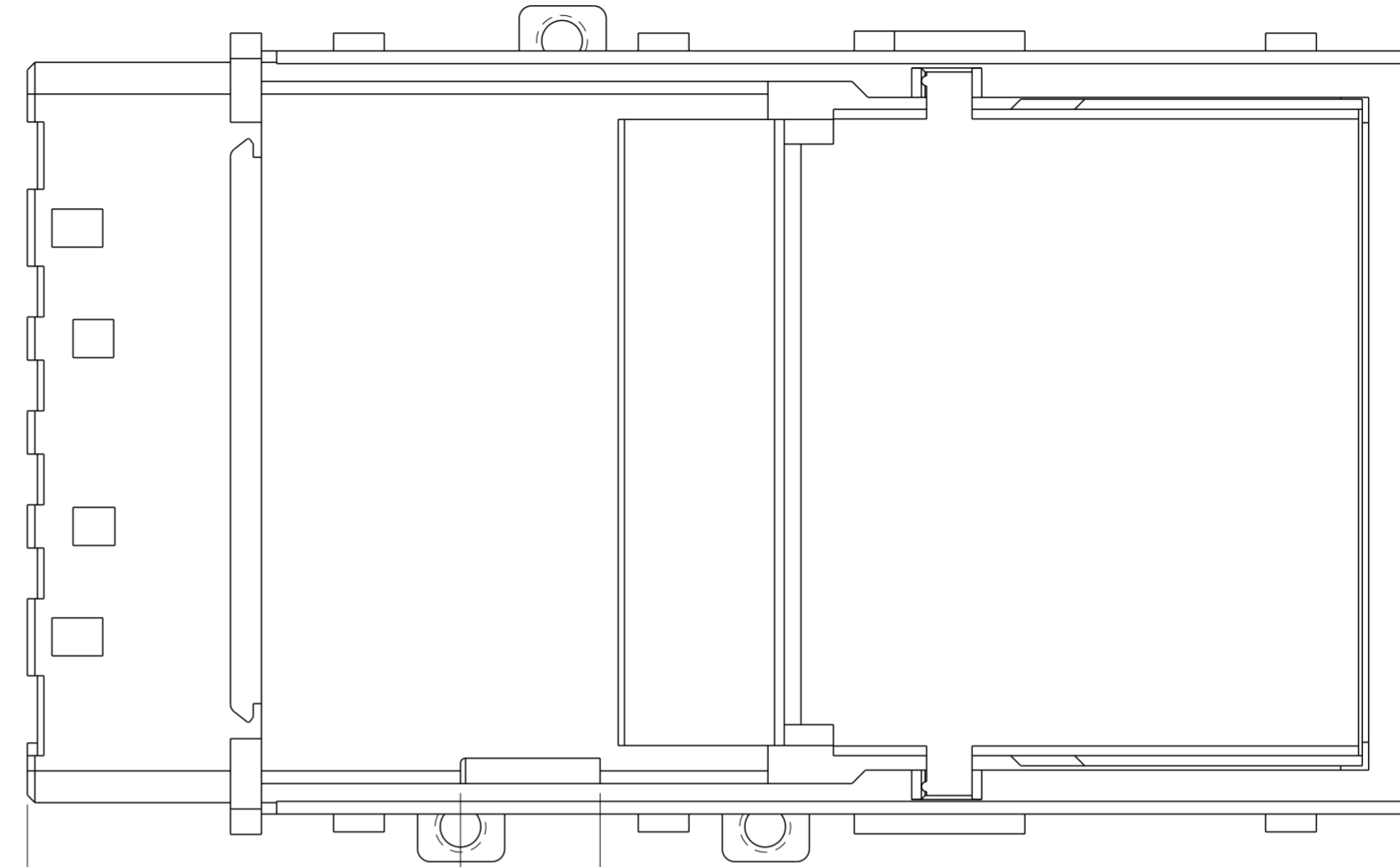
THIS DRAWING IS A CONTROLLED DOCUMENT.		DWN JASON YANG 30MAR2015	 TE Connectivity	
DIMENSIONS: mm		CHK SEAN HAN 30MAR2015		
TOLERANCES UNLESS OTHERWISE SPECIFIED:		APVD SEAN HAN 30MAR2015	NAME RECEPTACLE, STYLE 1, CDFP	
0 PLC ±0.25	1 PLC ±0.25	PRODUCT SPEC 108-32065	SIZE A2	CAGE CODE -
2 PLC ±0.20	3 PLC ±0.15	APPLICATION SPEC 114-32114	DRAWING NO G-2291931	RESTRICTED TO -
4 PLC ±	ANGLES ±	WEIGHT -	SCALE 4:1	SHEET 2 OF 6
MATERIAL -	FINISH -	CUSTOMER DRAWING	REV E	

THIS DRAWING IS UNPUBLISHED. RELEASED FOR PUBLICATION 20  
 © COPYRIGHT 20 BY - ALL RIGHTS RESERVED.

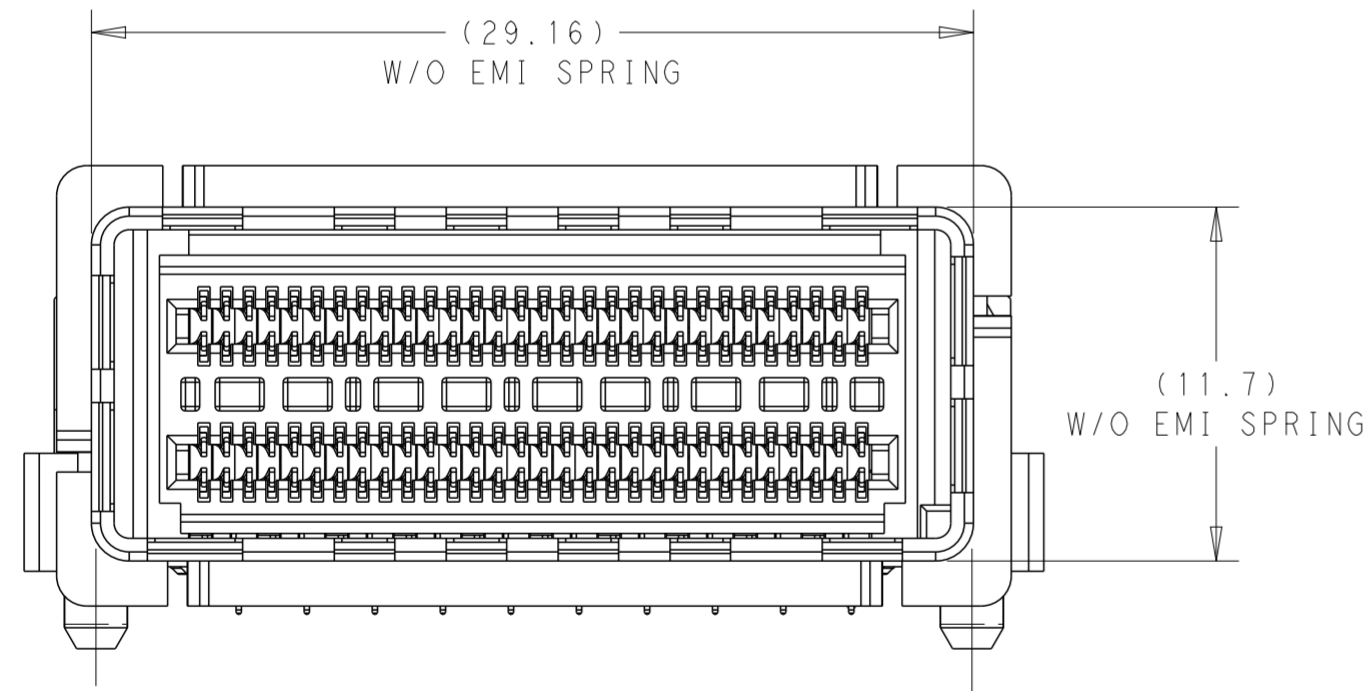
REVISIONS				
P	LTR	DESCRIPTION	DATE	APVD
-	-	SEE SHEET 1	-	-



2291931-2, -3, -4 SHOWN  
 UNSPECIFIED DIMENSIONS ARE SAME AS 2291931-1  
 SCALE 3:1

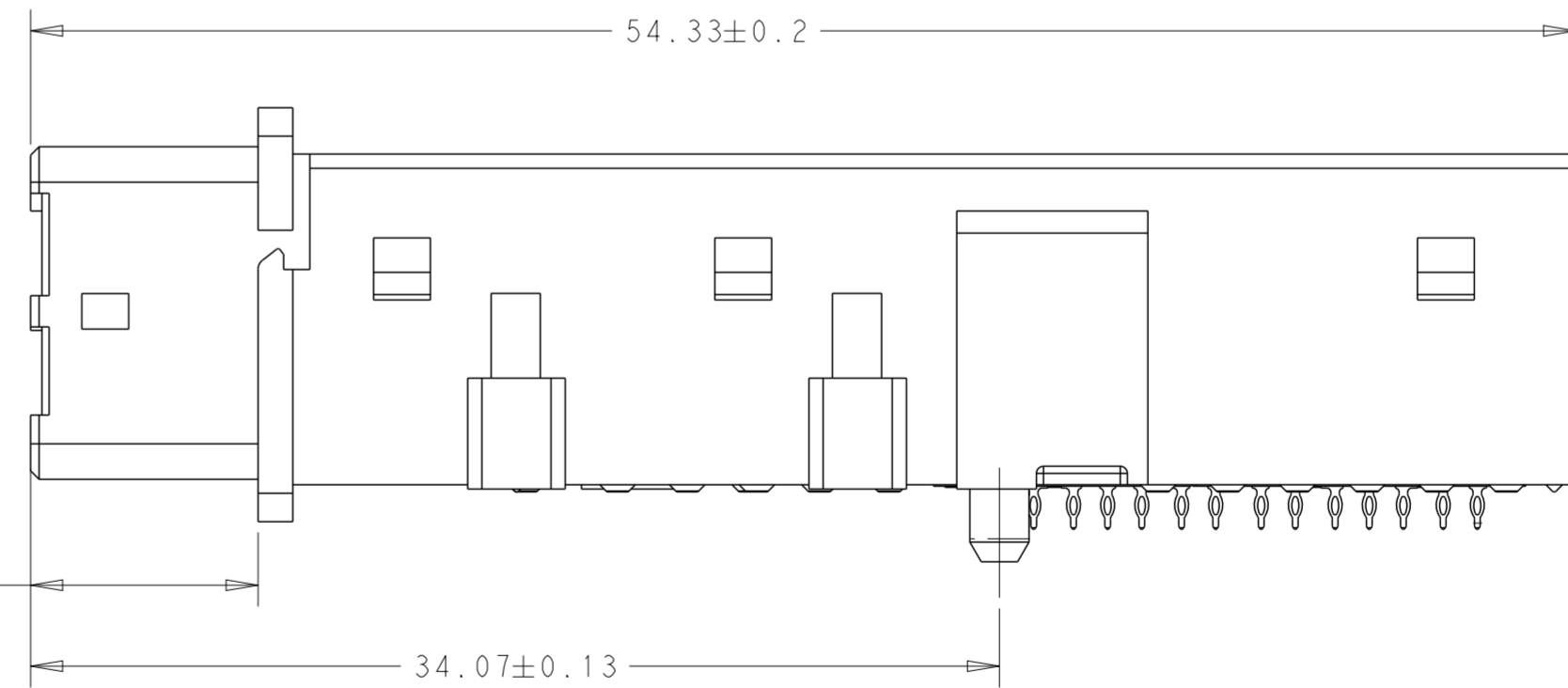


17.06±0.13 KEY LOCATION  
 5.5±0.1 KEY LENGTH



(29.16)  
 W/O EMI SPRING

(11.7)  
 W/O EMI SPRING

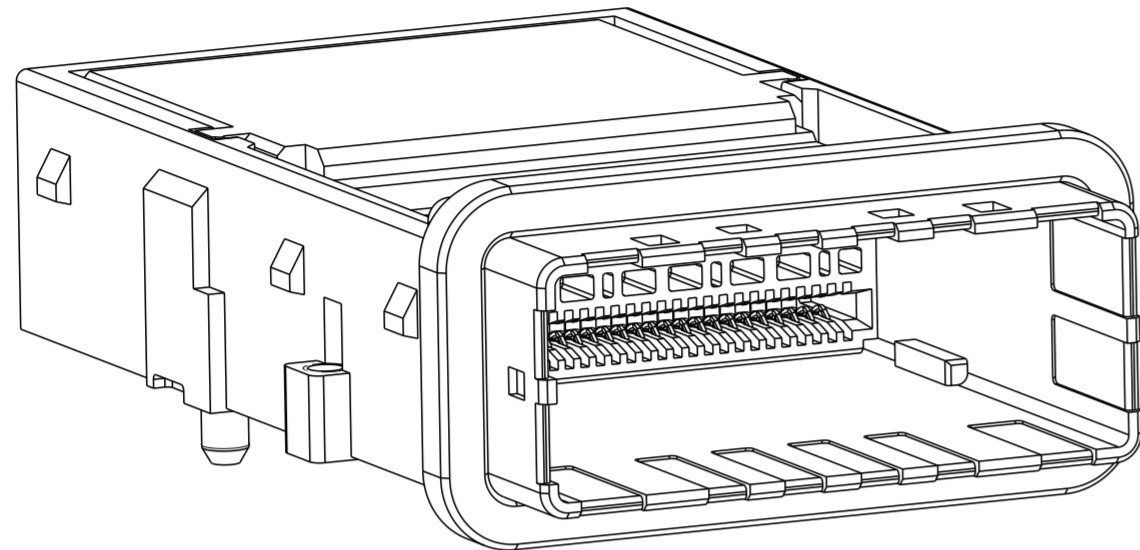


54.33±0.2  
 8±0.13  
 34.07±0.13

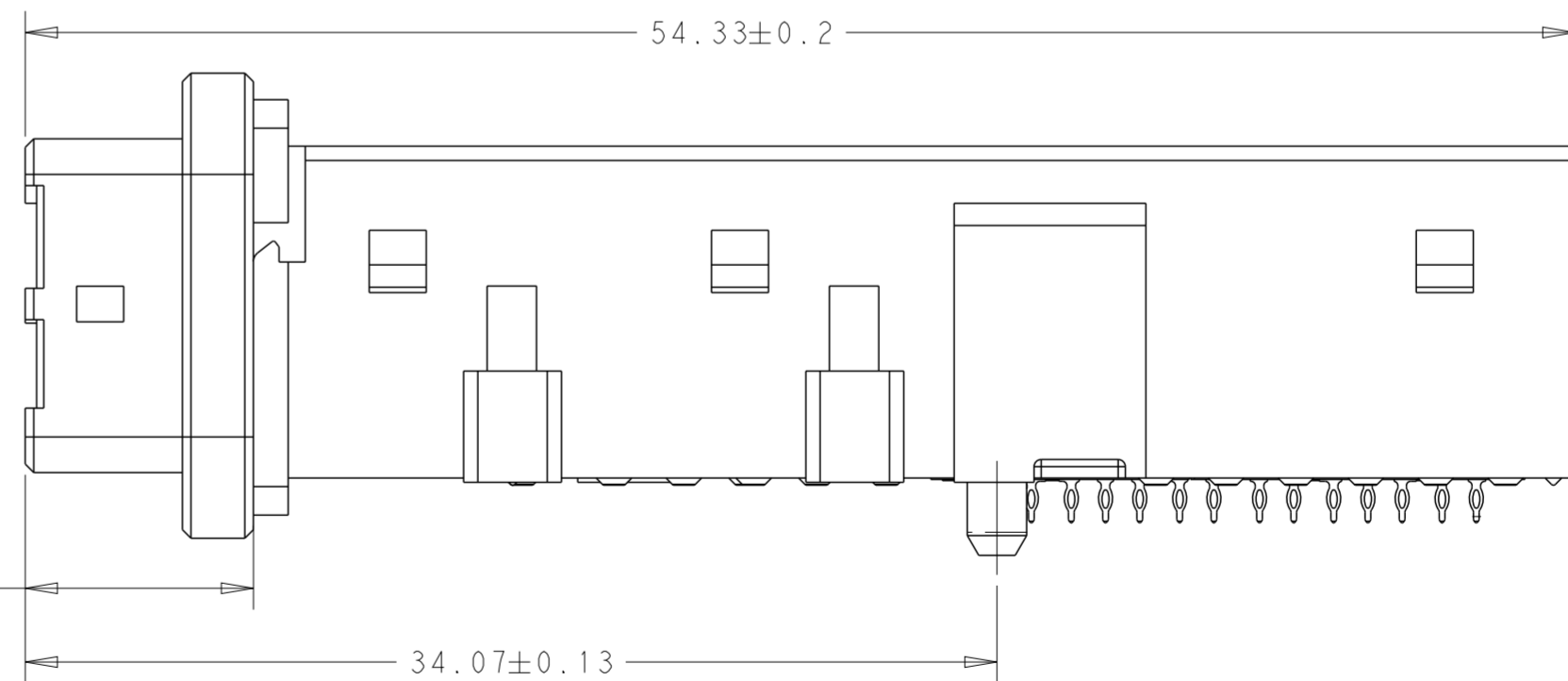
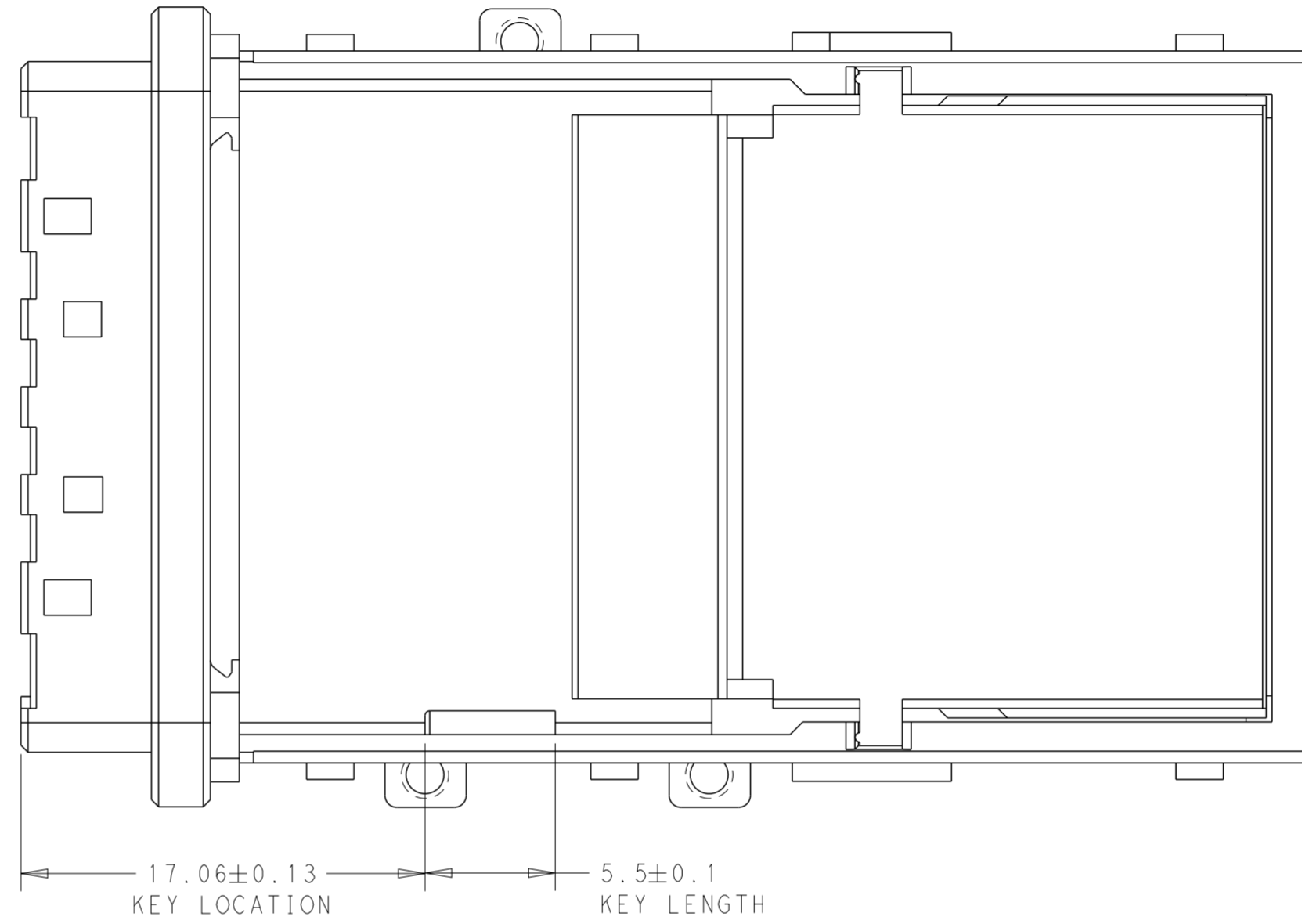
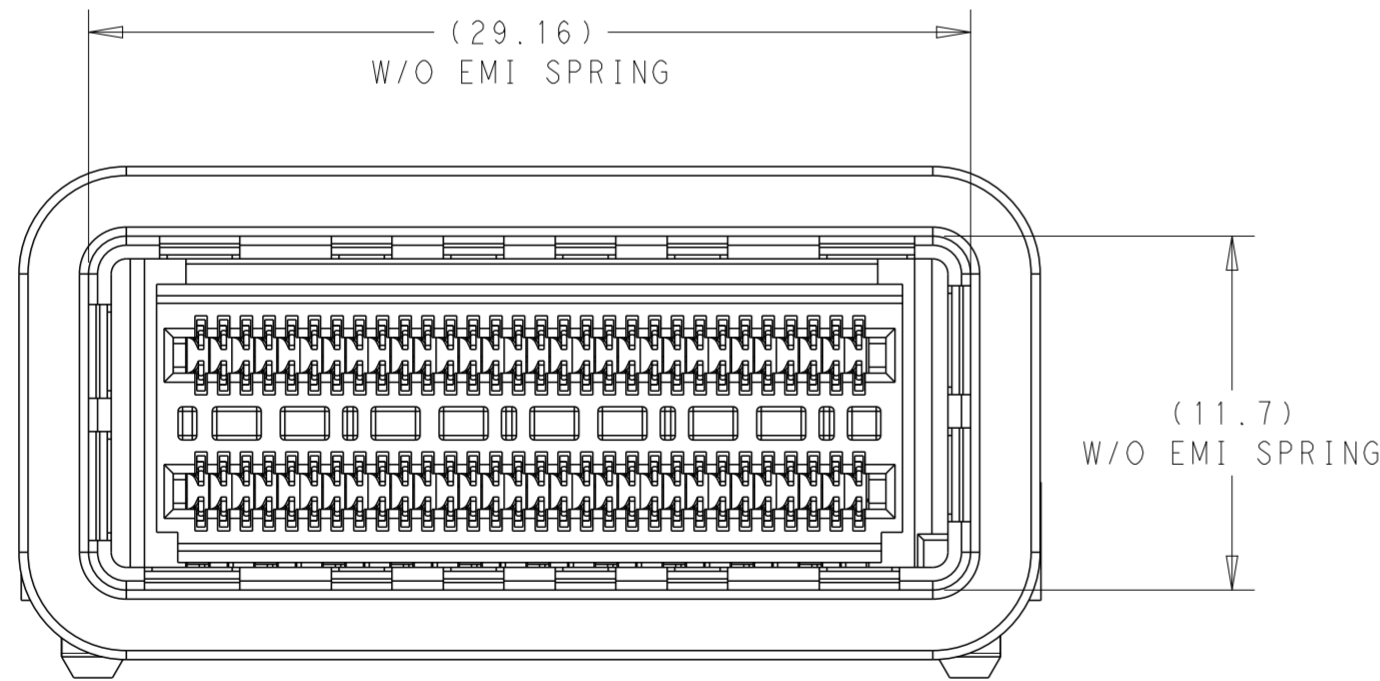
THIS DRAWING IS A CONTROLLED DOCUMENT.		DWN JASON YANG 30MAR2015	<b>STE</b> TE Connectivity	
DIMENSIONS: mm		CHK SEAN HAN 30MAR2015		
TOLERANCES UNLESS OTHERWISE SPECIFIED:		APVD SEAN HAN 30MAR2015	NAME RECEPTACLE, STYLE 1, CDFP	
0 PLC ±0.25	1 PLC ±0.25	PRODUCT SPEC 108-32065	SIZE A2	CAGE CODE -
2 PLC ±0.20	3 PLC ±0.15	APPLICATION SPEC 114-32114	DRAWING NO C-2291931	RESTRICTED TO -
4 PLC ±	ANGLES ±	WEIGHT -	SCALE 4:1	SHEET 3 OF 6
MATERIAL -	FINISH -	CUSTOMER DRAWING	REV E	


THIS DRAWING IS UNPUBLISHED. RELEASED FOR PUBLICATION 20  
 © COPYRIGHT 20 BY - ALL RIGHTS RESERVED.

REVISIONS				
P	LTR	DESCRIPTION	DATE	APVD
-	-	SEE SHEET 1	-	-



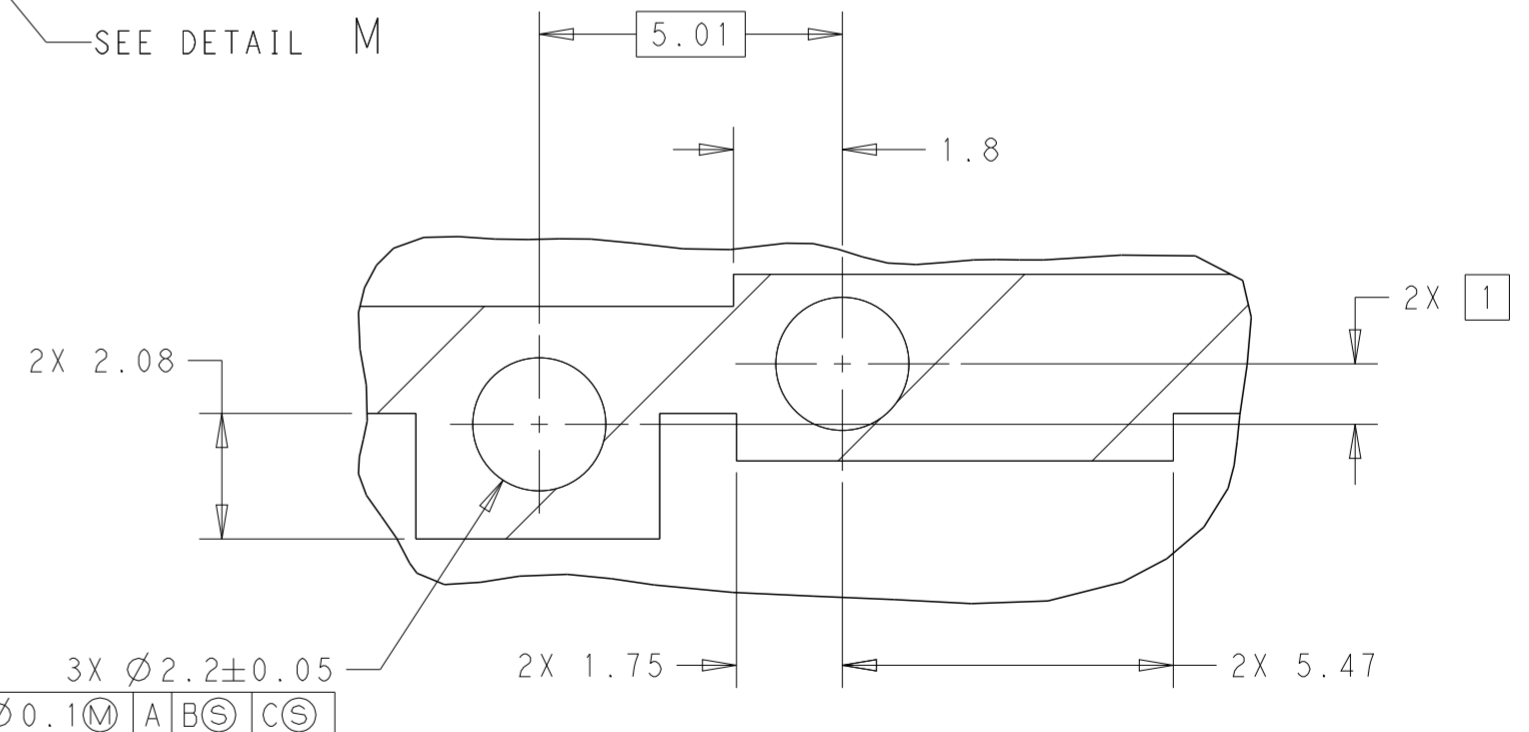
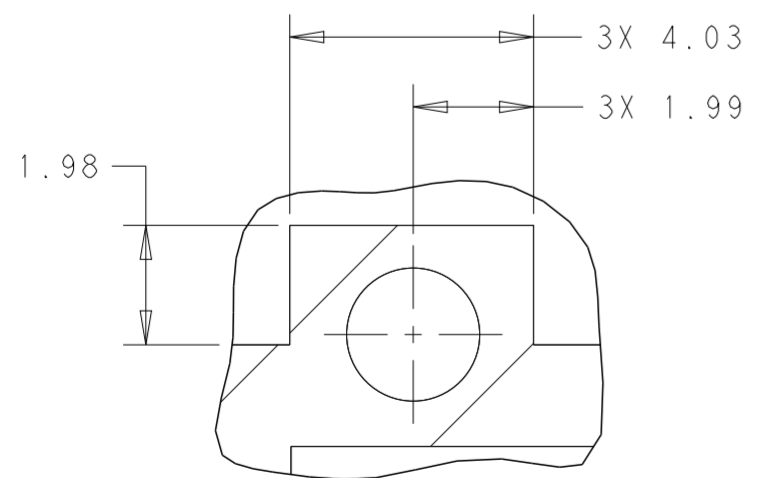
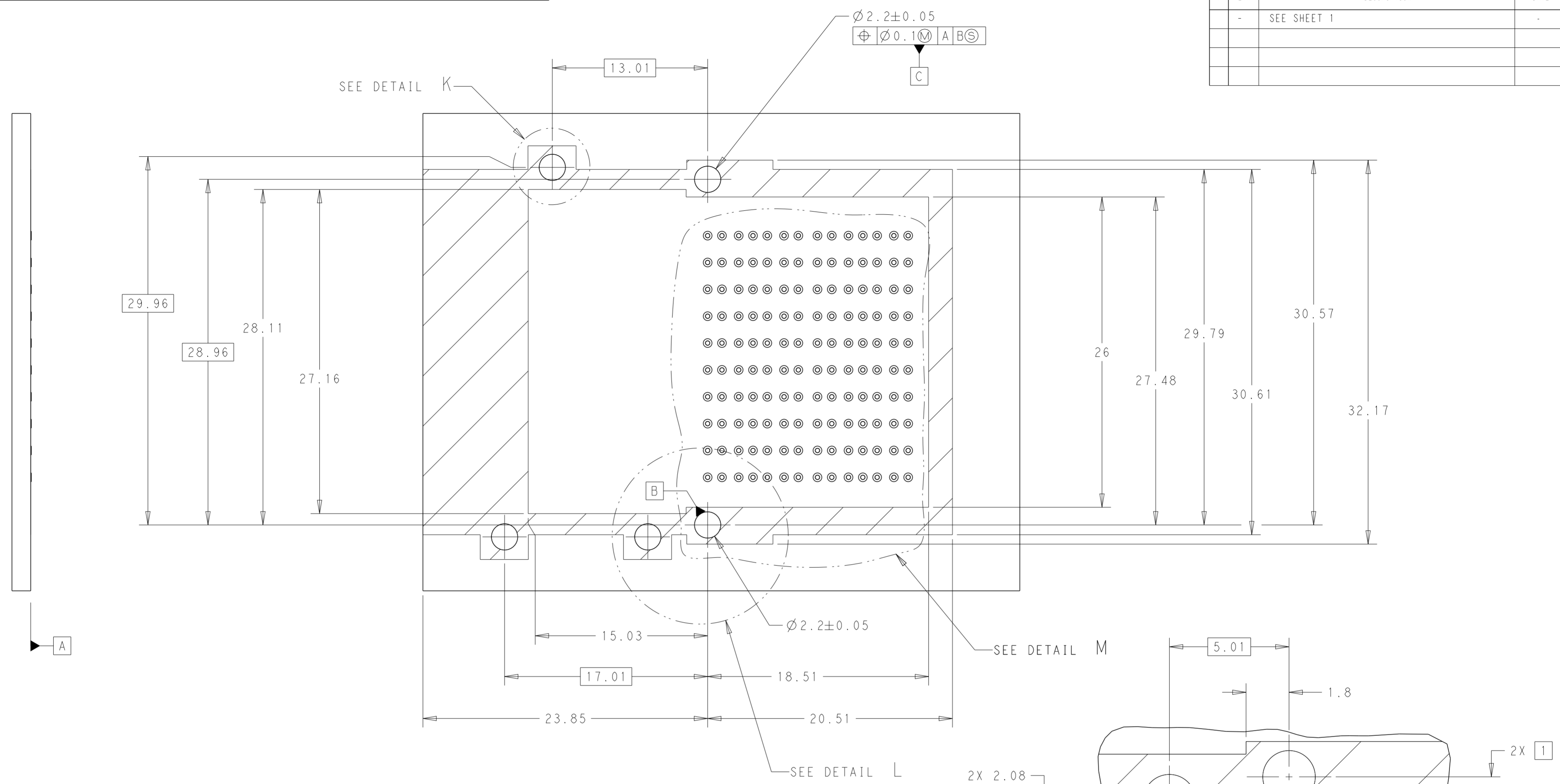
2291931-6/-7 SHOWN  
 UNSPECIFIED DIMENSIONS ARE SAME AS 2291931-1  
 SCALE 3:1



THIS DRAWING IS A CONTROLLED DOCUMENT.		DWN JASON YANG 30MAR2015	 TE Connectivity	
DIMENSIONS: mm		CHK SEAN HAN 30MAR2015		
TOLERANCES UNLESS OTHERWISE SPECIFIED:		APVD SEAN HAN 30MAR2015	NAME RECEPTACLE, STYLE 1, CDFP	
0 PLC ±0.25 1 PLC ±0.25 2 PLC ±0.20 3 PLC ±0.15 4 PLC ± ANGLES ± FINISH ±		PRODUCT SPEC 108-32065	SIZE A2	CAGE CODE -
MATERIAL -		APPLICATION SPEC 114-32114	DRAWING NO G-2291931	RESTRICTED TO -
-		WEIGHT -	SCALE 4:1	SHEET 4 OF 6
-		CUSTOMER DRAWING	REV E	

THIS DRAWING IS UNPUBLISHED. RELEASED FOR PUBLICATION 20  
 © COPYRIGHT 20 BY - ALL RIGHTS RESERVED.

REVISIONS				
P	LTR	DESCRIPTION	DATE	APVD
-	-	SEE SHEET 1	-	-



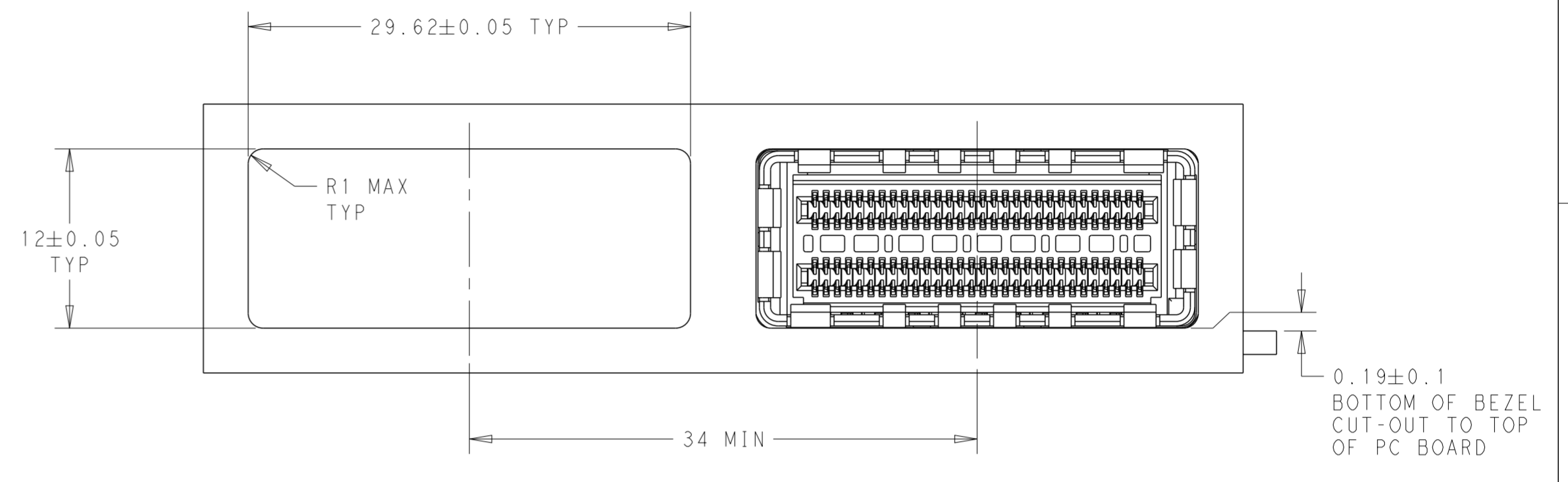
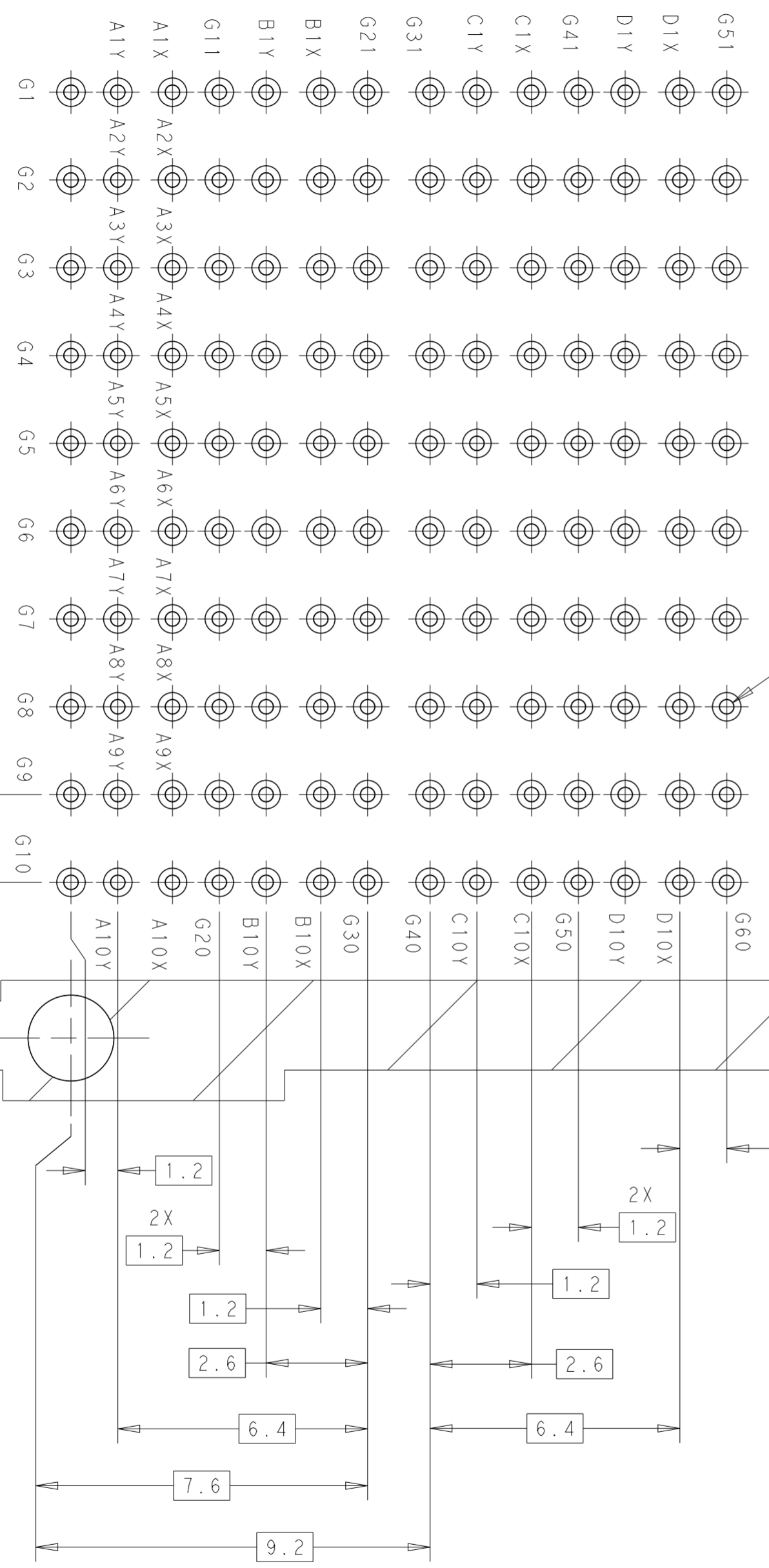
DETAIL K  
SCALE 8:1

DETAIL L  
SCALE 8:1

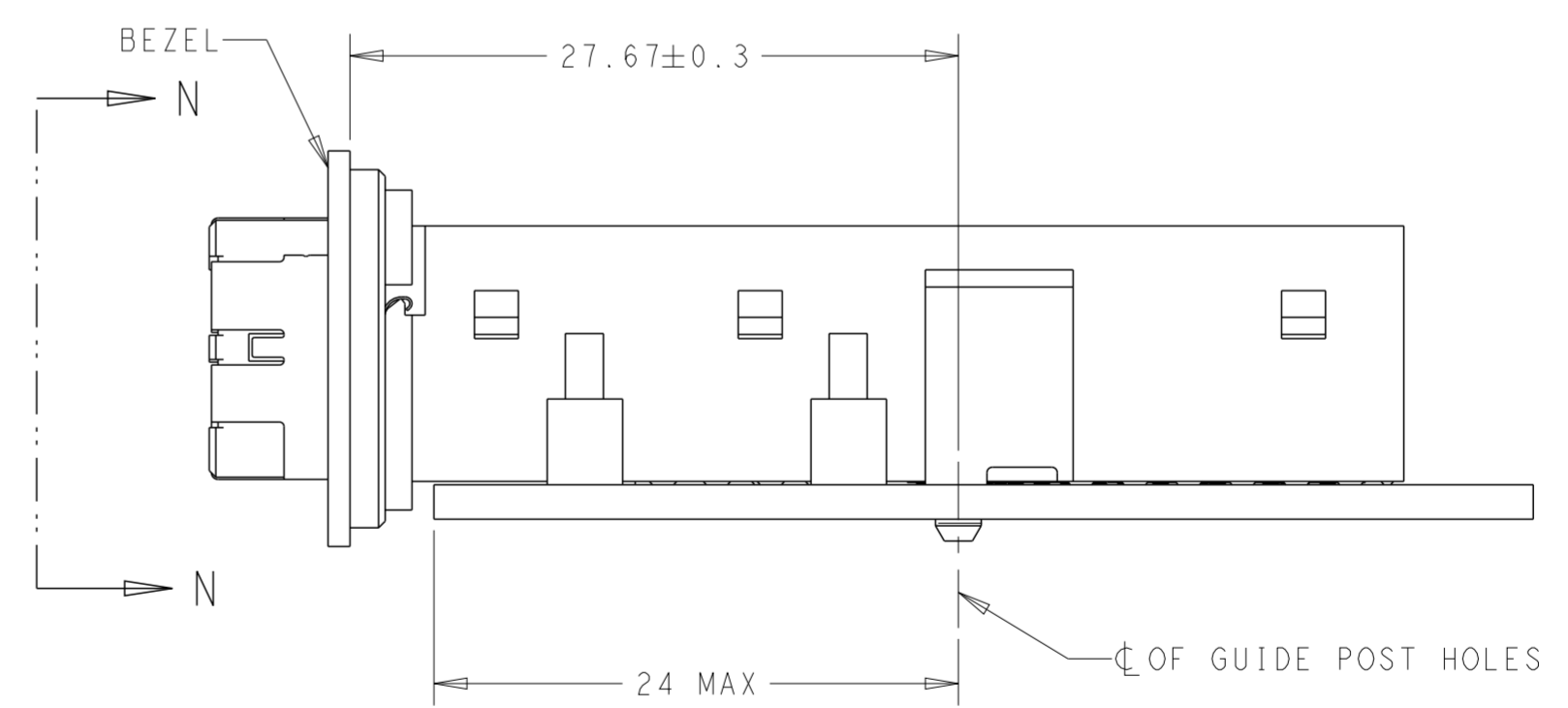
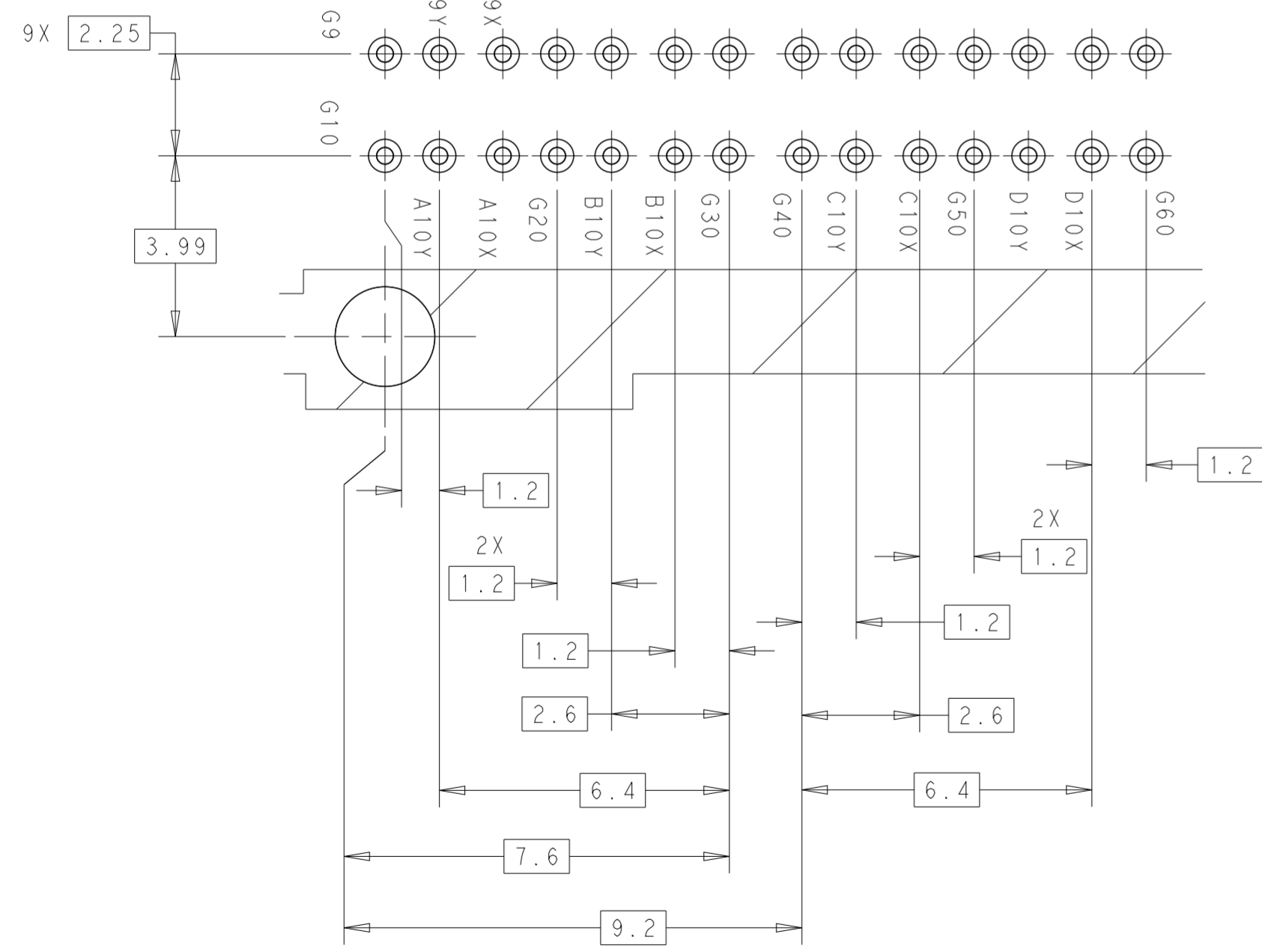
THIS DRAWING IS A CONTROLLED DOCUMENT.		DWN JASON YANG 30MAR2015	TE Connectivity	
DIMENSIONS: mm		CHK SEAN HAN 30MAR2015		
TOLERANCES UNLESS OTHERWISE SPECIFIED:		APVD SEAN HAN 30MAR2015	NAME RECEPTACLE, STYLE 1, CDFP	
0 PLC ±0.25	1 PLC ±0.25	PRODUCT SPEC 108-32065	SIZE A2	CAGE CODE -
2 PLC ±0.20	3 PLC ±0.15	APPLICATION SPEC 114-32114	DRAWING NO C-2291931	RESTRICTED TO -
4 PLC ±	ANGLES ±	WEIGHT -	SCALE 4:1	SHEET 5 OF 6
MATERIAL -	FINISH -	CUSTOMER DRAWING	REV E	

THIS DRAWING IS UNPUBLISHED. RELEASED FOR PUBLICATION 20  
 © COPYRIGHT 20 BY - ALL RIGHTS RESERVED.

REVISIONS				
P	LTR	DESCRIPTION	DATE	APVD
-	-	SEE SHEET 1	-	-



140X Ø0.37±0.05  
 ⊕ Ø0.1M A B ⊖ C ⊖



DETAIL M  
 SCALE 8:1

THIS DRAWING IS A CONTROLLED DOCUMENT.		DWN JASON YANG 30MAR2015	TE Connectivity	
		CHK SEAN HAN 30MAR2015		
		APVD SEAN HAN 30MAR2015	NAME RECEPTACLE, STYLE 1, CDFP	
DIMENSIONS: mm		PRODUCT SPEC 108-32065	SIZE A2	CAGE CODE -
TOLERANCES UNLESS OTHERWISE SPECIFIED:		APPLICATION SPEC 114-32114	DRAWING NO C-2291931	RESTRICTED TO -
0 PLC ±0.25 1 PLC ±0.25 2 PLC ±0.20 3 PLC ±0.15 4 PLC ± ANGLES ± FINISH -		WEIGHT -	SCALE 4:1	SHEET 6 OF 6
MATERIAL -		CUSTOMER DRAWING	REV E	