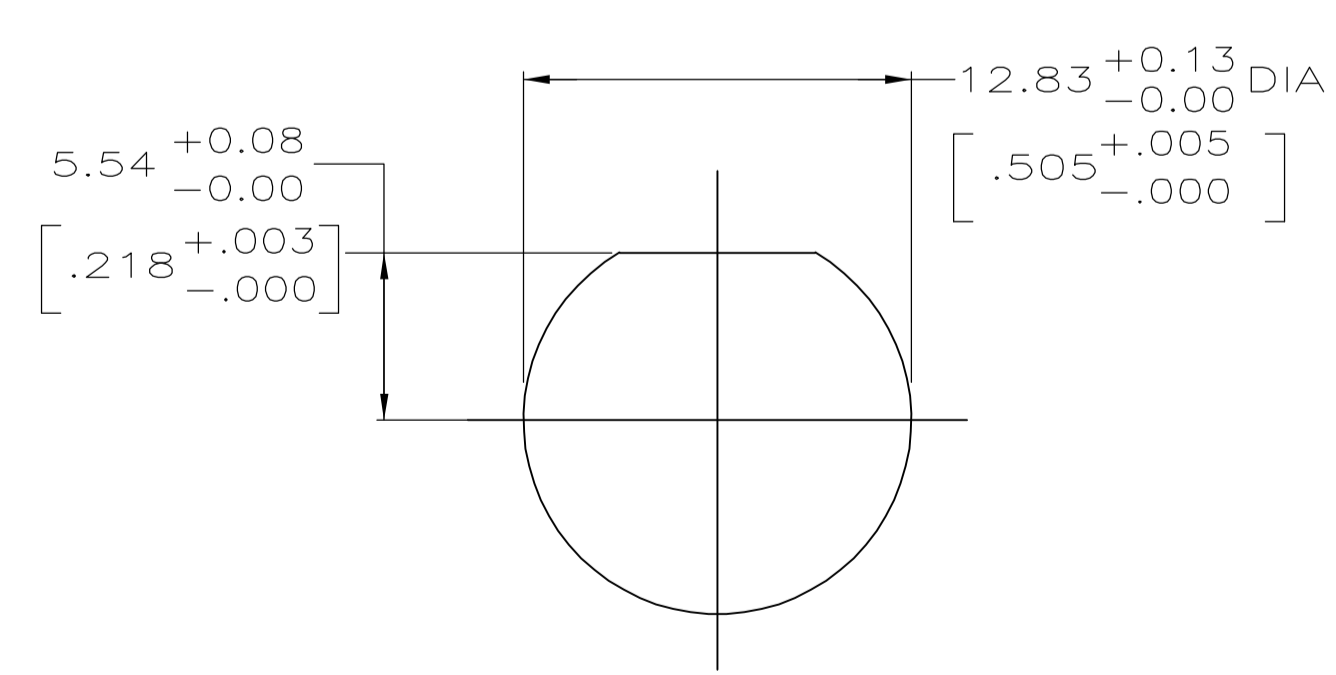
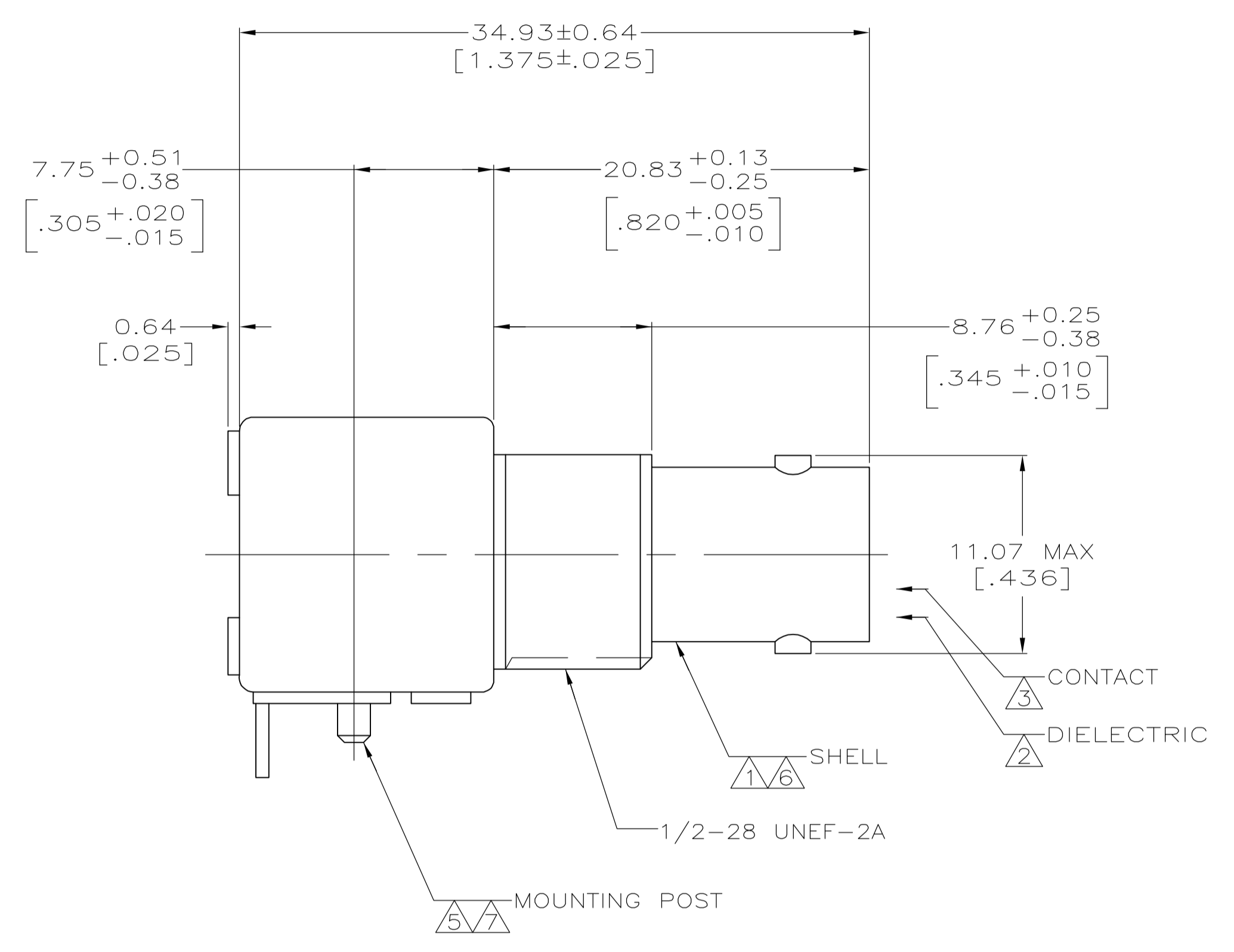
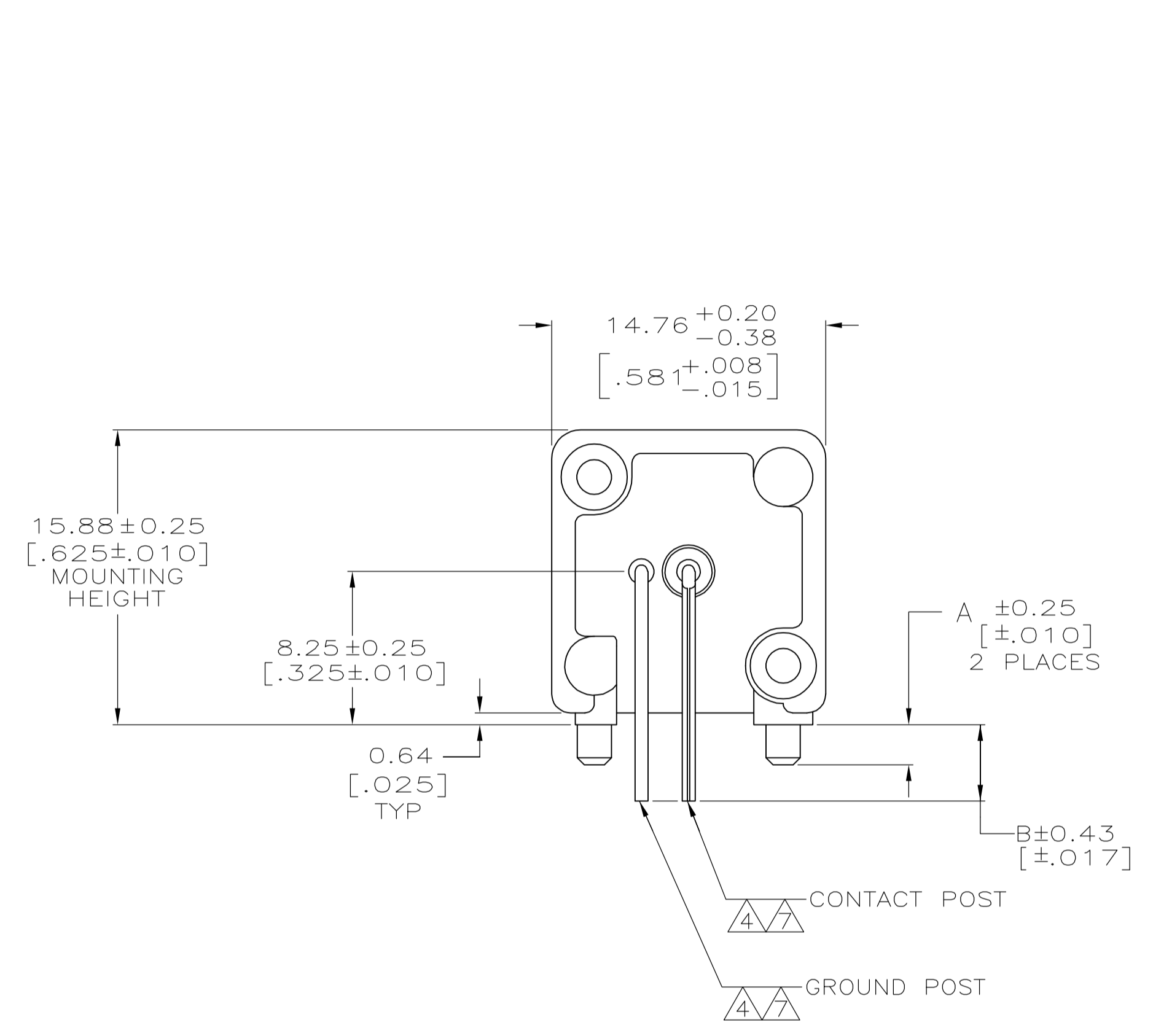
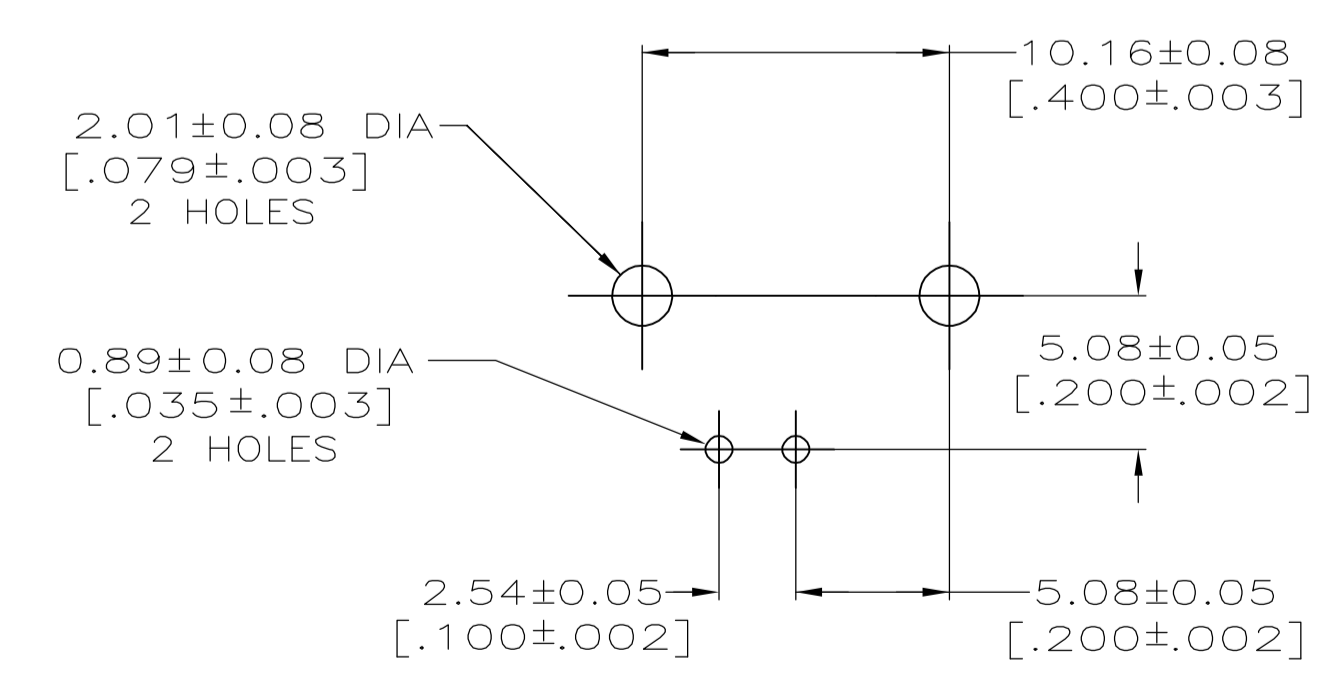


LOC	DIST	REVISIONS				
		REV	DESCRIPTION	DATE	BY	APPROV
AJ	16	K	REVISED PER EC 0514-0456-04	13DEC05	BL	JL

- 1 ZINC PER QQ-Z-363.
  - 2 POLYMETHYLPENTENE, GENERAL PURPOSE.
  - 3 BERYLLIUM COPPER PER QQ-C-530.
  - 4 BRASS PER ASTM-B-453.
  - 5 BRASS PER ASTM-B-16.
  - 6 NICKEL PLATE PER QQ-N-290, 3.81 μm [.000150] MINIMUM THICK.
  - 7 TIN PLATE PER ASTM-B-545, 3.81 μm [.000150] MINIMUM THICK.
  - 8 GOLD PLATE PER MIL-G-45204, 0.76 μm [.000030] MINIMUM THICK.
  - 9 SILVER PLATE PER QQ-S-365, 2.54 μm [.000100] MINIMUM THICK.
  - 10 GOLD PLATE PER MIL-G-45204, 1.27 μm [.000050] MINIMUM THICK.
11. SEE INSTRUCTION SHEET 2769.



RECOMMENDED PANEL CUTOUT



PCB CONFIGURATION

OBSOLETE	4.11 [.162]	2.16 [.085]		222092-5
OBSOLETE	2.92 [.115]	2.16 [.085]		222092-4
	4.11 [.162]	3.48 [.137]		222092-3
OBSOLETE	4.11 [.162]	2.16 [.085]		222092-2
	4.11 [.162]	2.16 [.085]		222092-1

DIMENSIONS:		TOLERANCES UNLESS OTHERWISE SPECIFIED:		APPROVED		NAME		SIZE		SCALE		SHEET		REV	
INCHES		0 PLC ± -		J. LIPPERT 3-4-92		A. GABANY 3-13-92		A1		1:1		1 OF 1		K	
MATERIAL		FINISH		CUSTOMER DRAWING		DIN 3-4-92		A1		1:1		1 OF 1		K	
SEE NOTES 1-5		SEE NOTES 6-10		00779		222092		A1		1:1		1 OF 1		K	