

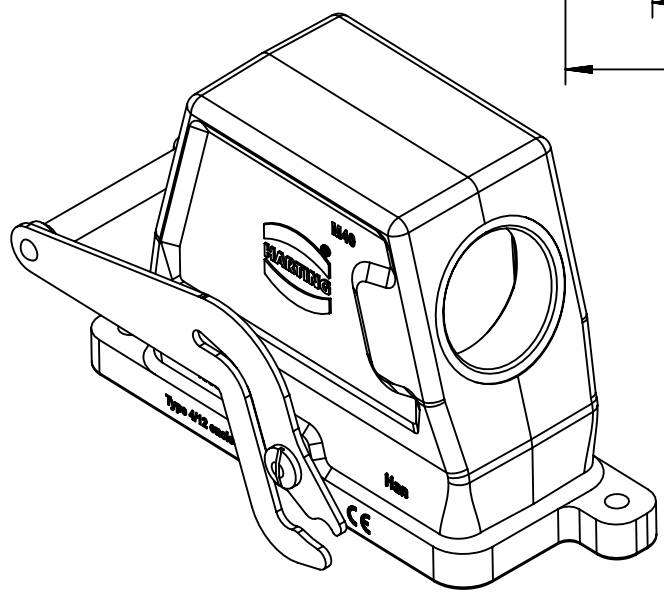
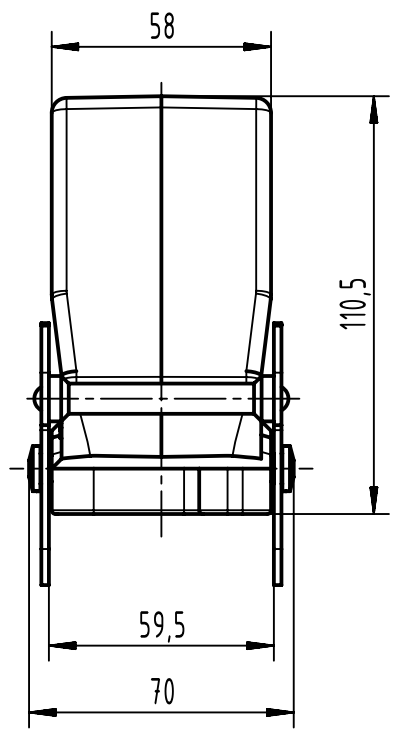
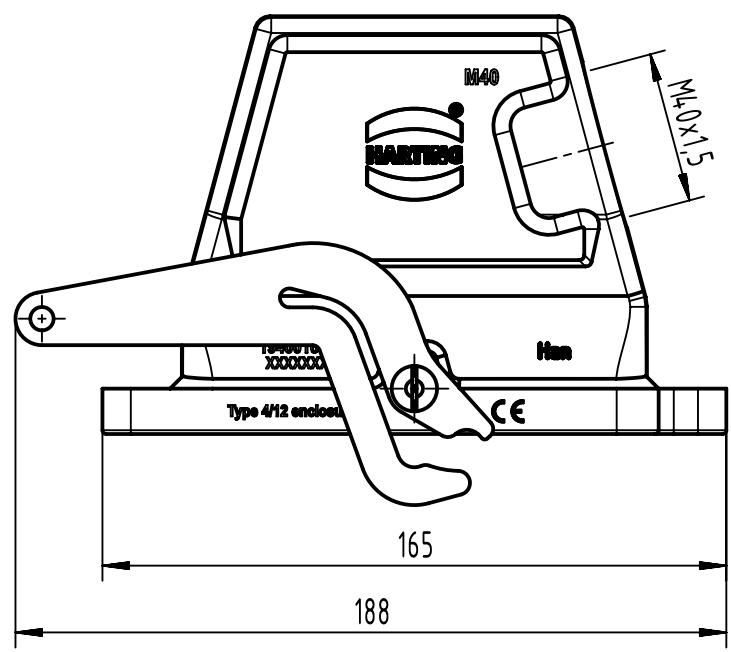
1 2 3 4 5 6

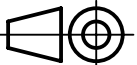

A

B

C

D



 All Dimensions in mm Original Size DIN A4	Scale	Free size tol.		Ref.	
	1:2			Sub.	
 All rights reserved Department EL PD	Created by	Inspected by	Standardisation	Date	State
	HELLMANN	GERB	302077	2021-01-19	Final Release
HARTING D-32339 Espelkamp	Title				Doc-Key / ECM-Nr. 100696126/UGD/004/B 500000178007
	Han 16HPR-HSE-M40-Central Lever				
Type		Number		Rev.	Page
TB		19 40 016 0583		B	1/1