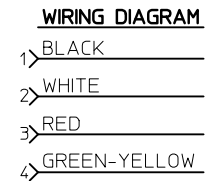
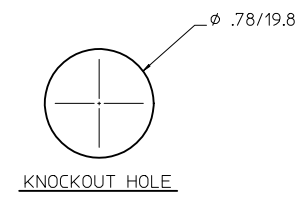
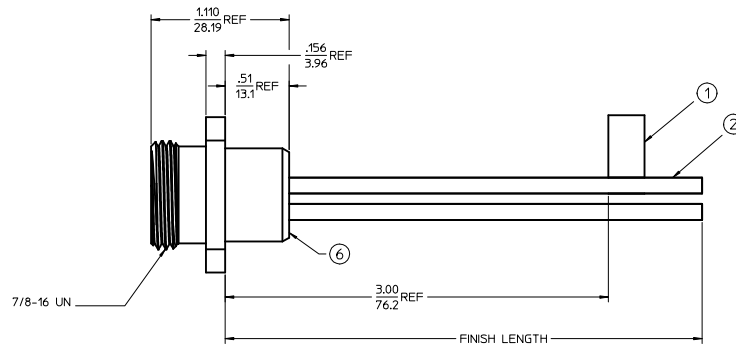
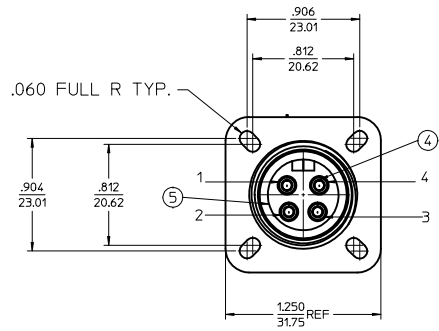
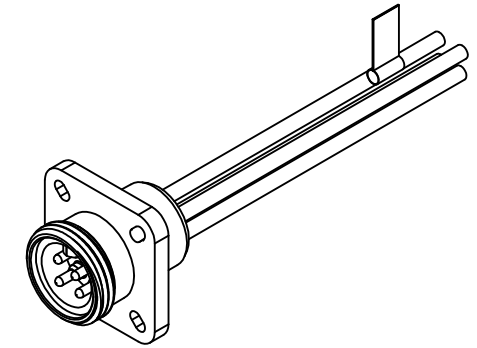


MATERIAL NUMBER	OLD PART NUMBER	FINISH LENGTH
130013-0409	1R4G06A20A120	1.0'+.75-0 [.3M+19.1-0]

VOLTAGE RATING	600 VAC/VDC
AMPERAGE RATING	10A
PROJECTION	IP67
OPERATING TEMPERATURE	-20° C TO 105° C
UL CERTIFICATIONS	UL RECOGNIZED, FILE NO. E152210
CSA CERTIFICATIONS	CSA CERTIFIED, FILE NO. LR6837



ITEM.	QTY.	COMPONENT	MATERIAL	FINISH
1	1	FLAG LABEL	PLASTIC FILM	BLACK/YELLOW
2	4	CONDUCTOR-16 AWG. 26X#30 COPPER STRANDING 600V	PVC	SEE WIRING DIAGRAM
3	1	RECEPTACLE SHELL	ALUMINUM	ANODIZED
4	4	CONTACT PIN	COPPER ALLOY	GOLD PLATED
5	1	4 POLE INSERT	PVC	YELLOW
6	1	POTTING	EPOXY	BLACK

RELEASED EC NO: WNAZ010-0423 DRAWN BY: WBRUPERT 2010/01/08 CHKD BY: WOODMAN 2010/01/14 APPR: J MURPHY 2010/01/14	QUALITY SYMBOLS ▽=0 ▽=0	GENERAL TOLERANCES (UNLESS SPECIFIED)		DIMENSION STYLE IN/MM	SCALE 2:1	DESIGN UNITS INCH	THIRD ANGLE PROJECTION
		4 PLACES ±.005 ±.005 3 PLACES ±.010 ±.010 2 PLACES ±0.013 ±.010 1 PLACE ±0.025 ±.025 ANGULAR ±1/2°	DRAWN BY: S. GARCIA 2009/07/02 CHECKED BY: DATE B. WOODMAN 2009/07/02 APPROVED BY: J. MURPHY 2010/01/14	TITLE MALE FLANGE RECEPTACLE MINI-CHANGE 4P 16AWG PVC		MOLEX INCORPORATED	
DRAFT WHERE APPLICABLE MUST REMAIN WITHIN DIMENSIONS		SEE CHART		MATERIAL NO. SD-130013-010		DOCUMENT NO. 1 OF 1	
THIS DRAWING CONTAINS INFORMATION THAT IS PROPRIETARY TO MOLEX INCORPORATED AND SHOULD NOT BE USED WITHOUT WRITTEN PERMISSION							