



## PRODUCT CHANGE NOTIFICATION

**PRODUCT CHANGE NOTIFICATION NUMBER:** P11323

**PCN DATE:** March 29, 2019

This notice is to inform you about the following changes to the listed Stewart Connector products. For any further questions about these changes, please contact your Stewart Connector sales contact, or customer service representative.

**PARTS AFFECTED:**

S-RJFTV5E17021N

S-RJFTV5E1702BS1N

S-RJFTV5E17071N

S-RJFTV5E1707BS1N

**GENERAL PRODUCT DESCRIPTION:**

Series S-RJFTV - RJ45 D38999 Receptacles

**REASON FOR CHANGE:**

Component obsolescence

**DESCRIPTION OF CHANGES:**

The RJ45 contact currently used in the S-RJFTV5E receptacle series has become obsolete, so an alternative contact has been designed in as a replacement. The details of the contact difference are shown in the attached Product Change Notification drawing. The new contact design will not have an impact on the mechanical or electrical form, fit, or function of the connector.

**ESTIMATED IMPLEMENTATION DATE:**

7/1/19 and after existing inventory depletion.

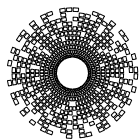
**SIGNATURE:**

A handwritten signature in black ink, appearing to read "Derek Imschweiler".

Derek Imschweiler  
General Manager  
Stewart Connector

11118 Susquehanna Trail South  
Glen Rock, PA  
17327, USA

T 717.235.7512  
[stewartconnector.com](http://stewartconnector.com)



**stewart**  
CONNECTOR  
a bel group

1118 Susquehanna Trail South  
Glen Rock, PA 17327-9199  
(717) 235-7512

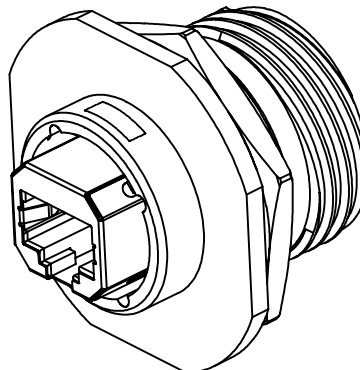
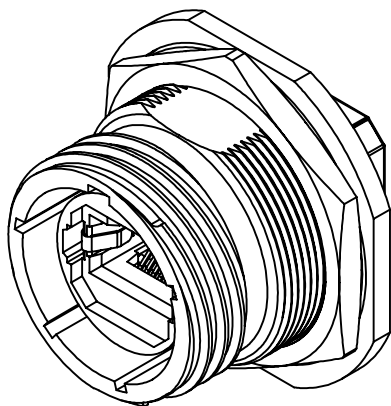
<http://www.stewartconnector.com>

**PRODUCT  
CHANGE  
NOTIFICATION**

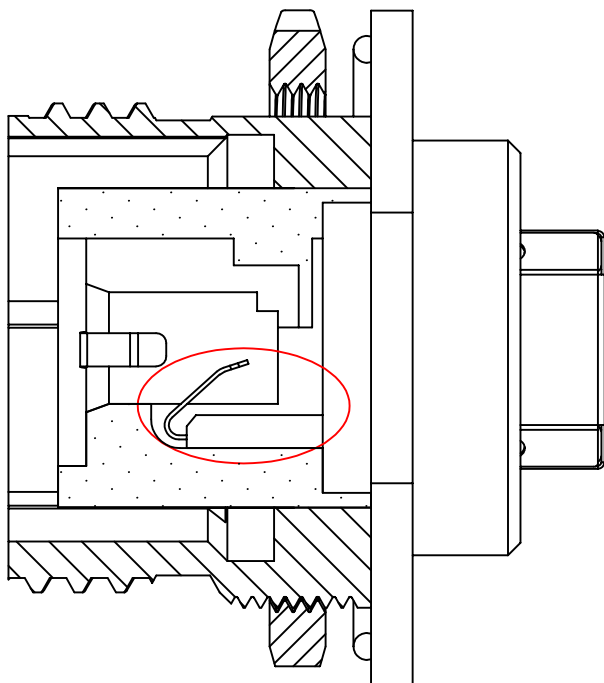
DATE	REV
-	-

PRODUCT CHANGE NOTIFICATION

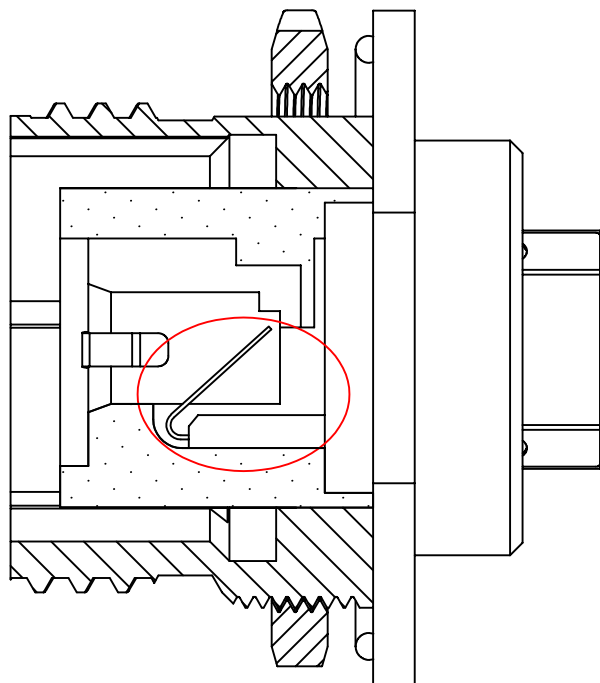
CHANGE TO S-RJTV SERIES  
COUPLER ASSEMBLIES FOR 38999 RECEPTACLES  
(FLANGE MOUNT RECEPTACLE SHOWN, ALSO APPLIES TO BOX MOUNT.)



RECEPTACLE CONNECTOR  
AS RECEIVED  
(ISOMETRIC VIEWS)



ORIGINAL CONTACT CONFIGURATION  
(TYPICAL BOTH ENDS)  
(SECTION VIEW)

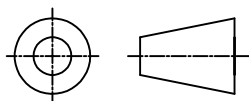


REVISED CONTACT CONFIGURATION  
(TYPICAL BOTH ENDS)  
(SECTION VIEW)

SHEET 1 OF 1

THIS DRAWING AND THE SUBJECT MATTER SHOWN THEREON ARE CONFIDENTIAL AND THE PROPRIETARY PROPERTY OF STEWART CONNECTOR AND SHALL NOT BE REPRODUCED, COPIED, OR USED IN ANY MANNER WITHOUT PRIOR WRITTEN CONSENT OF STEWART CONNECTOR. ONE OR MORE U.S. PATENTS MAY APPLY TO THIS PRODUCT. FOR DETAILS, PLEASE VISIT: [HTTP://BELFUSE.COM/STEWART/STEWART\\_PATENTS/](http://BELFUSE.COM/STEWART/STEWART_PATENTS/)

THIRD ANGLE PROJECTION



DIMENSIONS SHOWN ARE SUBJECT TO CHANGE WITHOUT NOTICE

DIMENSIONS: INCHES [METRIC]

UNLESS OTHERWISE SPECIFIED TOLERANCES ARE  $\pm 0.005$  [0.13] ANGLES ARE  $\pm 1^\circ$

DRN BY: DHG

APPD BY: DRI

DWG NO. P11323

DATE 1-02-19

DATE 1-03-19

REV. A0