

Evaluating the **ADF41513** 26.5 GHz, Integer N/Fractional-N, PLL Synthesizer

FEATURES

EV-ADF41513SD1Z

ADF41513 frequency synthesizer, 100 MHz crystal oscillator, loop filter, USB interface, and voltage regulators

EV-ADF41513SD2Z

All features of EV-ADF41513SD1Z plus **HMC733** 10 GHz to 20 GHz VCO

Windows-based software allows control of synthesizer functions from a PC

Externally powered by 6 V and 25 V

EVALUATION KIT CONTENTS

EV-ADF41513SD1Z or EV-ADF41513SD2Z evaluation board
USB cable

EQUIPMENT NEEDED

Windows-based PC with USB port for evaluation software

System demonstration platform, **SDP-S**

EVAL-SDP-CS1Z controller board

Dual power supply (6 V, 25 V)

Spectrum analyzer

ONLINE RESOURCES

ADF41513 data sheet

ADF41513 software, Version 0.4.5 or higher

GENERAL DESCRIPTION

The EV-ADF41513SD1Z and EV-ADF41513SD2Z are evaluation boards that can be used to evaluate all the features of the **ADF41513**. The EV-ADF41513SD1Z requires an external voltage controlled oscillator (VCO). The EV-ADF41513SD2Z includes an on-board 10 GHz to 20 GHz **HMC733** VCO.

EV-ADF41513SD1Z has Subminiature Version A (SMA) connectors to connect the charge pump output (VTUNE) to the tuning input of the VCO and the phase-locked loop (PLL) radio frequency (RF) input (RFIN) to the VCO output.

Both variants of the evaluation board include the **ADF41513** frequency synthesizer, 100 MHz reference (crystal oscillator (XO)), loop filter, universal serial bus (USB) interface, low noise voltage regulators, and a USB cable to connect the board to a PC USB port.

For easy programming of the synthesizer, download the Windows®-based software from the **ADF41513** product page at www.analog.com/ADF41513. The file transfer program (FTP) user name and password are printed on the label inside the lid of the evaluation board box.

The evaluation board requires a **SDP-S** (Figure 4), which is not included with the kit. The **SDP-S** allows software programming of the **ADF41513** device through a USB interface.

Consult the **ADF41513** data sheet in conjunction with this user guide when working with the evaluation boards.

TABLE OF CONTENTS

Features	1	Loop Filter	5
Evaluation Kit Contents.....	1	Reference Source	5
Equipment Needed.....	1	Default Configuration	5
Online Resources	1	Evaluation Board Software.....	7
General Description	1	Main Controls.....	7
Revision History	2	Evaluation and Test	8
Evaluation Board Photograph.....	3	Evaluation Board Schematics and Artwork.....	9
Getting Started	4	EV-ADF41513SD1Z Board.....	9
Software Installation Procedures.....	4	EV-ADF41513SD2Z Board.....	13
Evaluation Board Setup Procedures.....	4	Silkscreen Layers	17
Evaluation Board Hardware.....	5	Ordering Information.....	20
Power Supplies	5	Bill of Materials.....	20
SMA Connections	5		

REVISION HISTORY

1/2019—Revision 0: Initial Version

EVALUATION BOARD PHOTOGRAPH

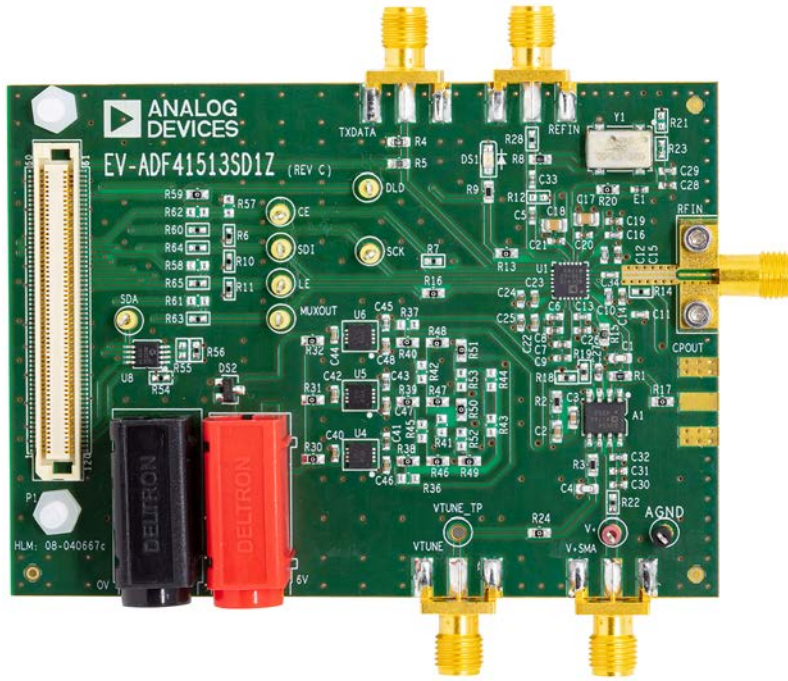


Figure 1.

17201-001

GETTING STARTED

SOFTWARE INSTALLATION PROCEDURES

Download the EV-ADF41513SD1Z and EV-ADF41513SD2Z control software from the [ADF41513](http://www.analog.com/ADF41513) product page at www.analog.com/ADF41513. The FTP user name and password are printed on a label inside the evaluation kit box. For the software installation procedure, see the [PLL Software Installation Guide](#).

EVALUATION BOARD SETUP PROCEDURES

To run the software, perform the following steps:

1. After installation, click the ADF41513 icon on the desktop or select **Analog Devices > ADF41513** from the **Start** menu.
2. In the **Select Device and Connection** tab, click **Connect** (see Figure 2).
3. Approximately 5 sec to 10 sec after connecting the board, the connection status in the bottom left corner changes from **No device connected** to **Connected**.

Under **File**, the current settings can be saved to or loaded from a text file.

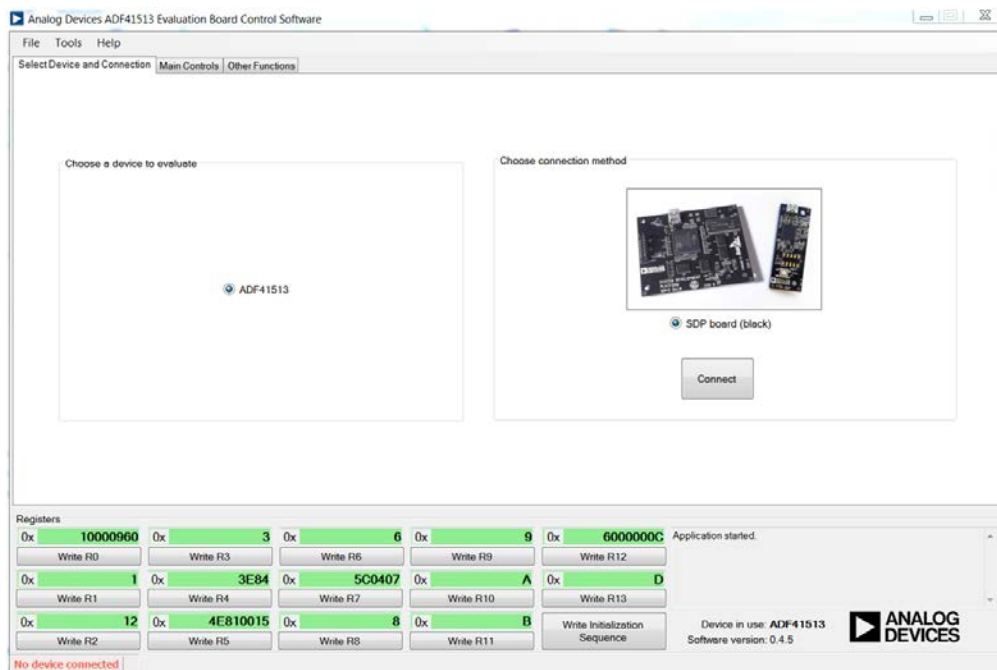


Figure 2. Software Front Panel Display, **Select Device and Connection** Tab

EVALUATION BOARD HARDWARE

The EV-ADF41513SD1Z and EV-AD41513SD2Z require the [SDP-S](#) platform that uses the [EVAL-SDP-CS1Z](#). Use of [SDP-B](#) is not recommended.

The evaluation board schematics, assembly, silkscreen, and bill of materials are available in the Evaluation Board Schematics and Artwork section and Ordering Information section.

POWER SUPPLIES

The board is powered by a 6 V (300 mA) power supply connected to the red and black banana connectors. Connect the red connector to a 6 V power supply and the black connector to ground. Connect a 25 V (20 mA) power supply to either the V+SMA SMA connector or the test point labeled V+. These connectors power the loop filter op amp.

The power supply circuitry provides a network of $0\ \Omega$ resistors to configure the power supply connections to the [ADF41513](#). Using fewer low dropout (LDO) regulators increases the risk of spur contaminated dc feeds, but provides a more cost efficient design. By default, three LDO regulators provide power. The EV-ADF41513SD2Z includes a dedicated 5 V LDO powering the [HMC733](#) VCO.

SMA CONNECTIONS

The EV-ADF41513SD1Z evaluation board requires two VCO connections labeled RFIN and VTUNE. Connect RFIN to the VCO RF output and VTUNE to the VCO V_{TUNE} input.

LOOP FILTER

The loop filter is shown in Figure 9 and Figure 12. Figure 3 shows the loop filter component placement. For the best in-band phase noise at 15 GHz, use the following components with a 4.8 mA charge pump current and narrow antibacklash pulse (ABP) setting. These components are the default on the evaluation boards except R3, which must be changed from 1 k Ω to 10 Ω .

- C1 = 82 pF, C2 = 22 nF, C3 = 200 pF, C4 = 56 pF
- R1 = 220 Ω , R2 = 280 Ω , R3 = 10 Ω

Narrower loop filter bandwidths have lower spurious signals.

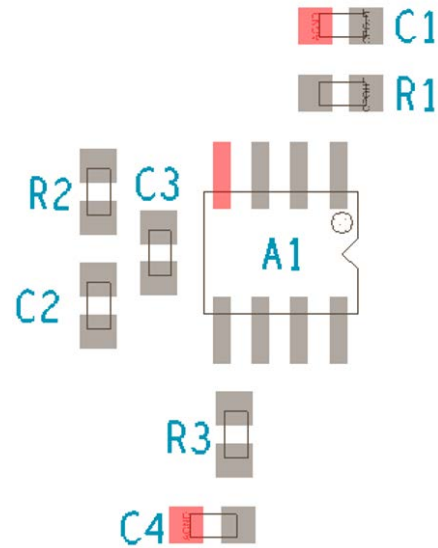


Figure 3. Loop Filter Placement

REFERENCE SOURCE

The evaluation boards contain a 100 MHz single-ended output XO from Crystek Corporation. When using an external reference, remove R8 to disconnect the XO stub and remove R20 to power down the XO. Connect the external reference to the SMA connector labeled RFIN.

DEFAULT CONFIGURATION

All components necessary for local oscillator (LO) generation are installed on the EV-ADF41513SD2Z board. This board is shipped with the [ADF41513](#) synthesizer, [HMC733](#) VCO, 100 MHz reference XO, and a 416 kHz loop filter (assuming charge pump current (I_{CP}) = 2.4 mA and RF VCO frequency (RF_{OUT}) = 15 GHz).

The EV-ADF41513SD1Z board has the default loop filter set to 247 kHz when operating at 20 GHz with I_{CP} = 2.4 mA. For RFIN frequencies above 26 GHz, it is recommended to replace C34 with a $0\ \Omega$ resistor and to connect an external dc blocking capacitor to the SMA connector labeled RFIN.

On both the EV-ADF41513SD1Z and the EV-ADF41513SD2Z, R_{SET} = 2.7 k Ω

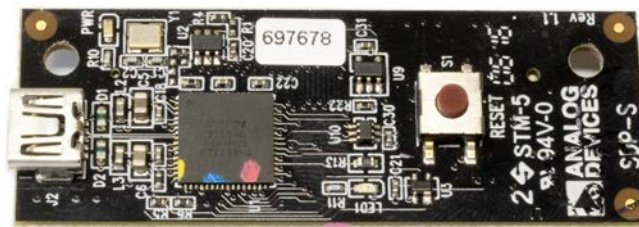


Figure 4. SDP-S USB Interface

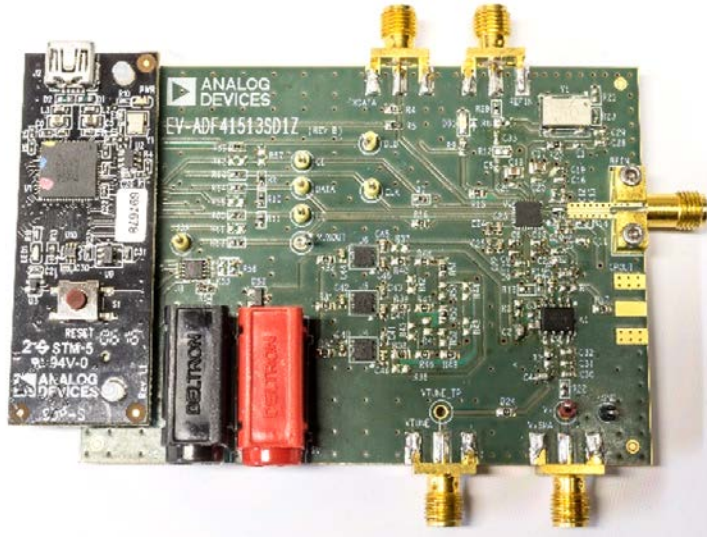


Figure 5. Hardware Connection Photograph

17201-003

EVALUATION BOARD SOFTWARE

MAIN CONTROLS

The **Main Controls** tab (see Figure 6) selects the RF and user configurable register settings. Consult the register descriptions of the **ADF41513** data sheet for details. The default setting is recommended for most registers.

In the **RF Settings** area, ensure that the **VCOout (MHz)** box equals the VCO frequency fed back to the PLL.

Ensure that the value in the **Reference freq.** box equals the applied reference signal. The phase frequency detector (PFD) frequency is calculated from the reference frequency, the R counter, the reference doubler, and the reference divide by 2. Ensure that the value in the **PFD (MHz)** box matches the value specified in the loop filter design.

In the **Register 5** area, select the value in the **CP Current** drop down box that matches the value used for the loop filter design.

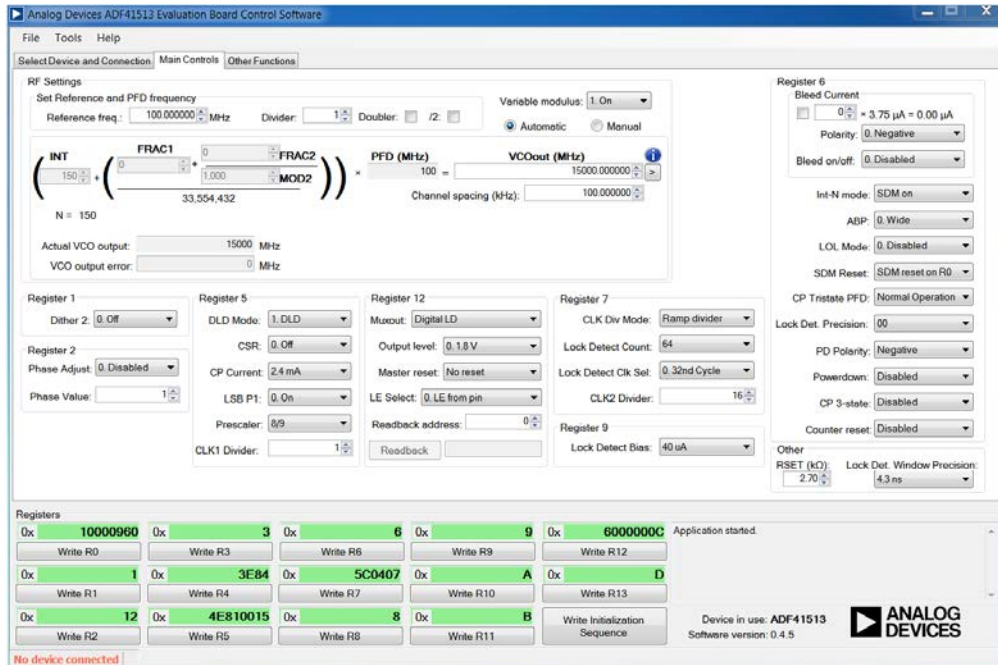


Figure 6. Software Front Panel Display, **Main Controls** Tab

EVALUATION AND TEST

To evaluate and test the performance of the EV-ADF41513SD1Z and EV-AD41513SD2Z, use the following procedure:

1. Install the [ADF41513](#) software (see the [PLL Software Installation Guide](#)).
2. If using a PC with Windows XP, follow the hardware driver installation procedure.
3. Connect the evaluation board to the [SDP-S](#) board.
4. Connect the 6 V power supply to the banana connectors.
5. Connect the 25 V power supply to the V+SMA connector.
6. Power on the 6 V and 25 V supplies. There is no sequencing requirement.
7. Connect the USB cable from the [SDP-S](#) board to the PC.
8. Run the [ADF41513](#) software.
9. Select **ADF41513** and **SDP board (black)** in the **Select Device and Connection** tab (see Figure 2).
10. Click the **Main Controls** tab, and set the **VCOout (MHz)** box to a frequency of 15,000 MHz (see Figure 6).
11. Click **Write Initialization Sequence** in the **Registers** area.
12. Connect the spectrum analyzer to SMA Connector RFOUT.
13. Measure the output spectrum and single sideband phase noise.

Figure 7 shows a phase noise plot of the SMA RFOUT at 15 GHz.

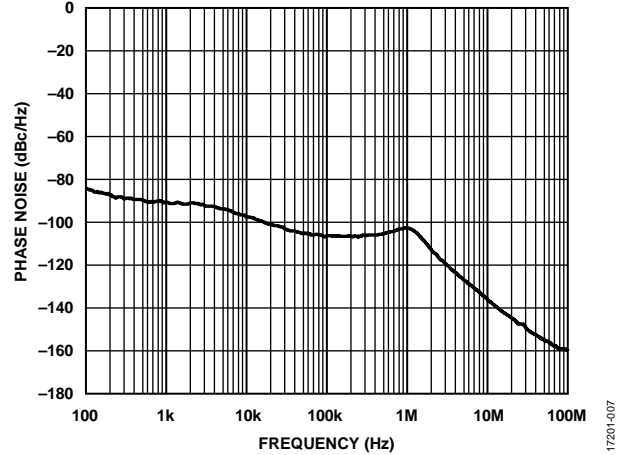


Figure 7. Single Sideband Phase Noise

EVALUATION BOARD SCHEMATICS AND ARTWORK
EV-ADF41513SD1Z BOARD

900-10214

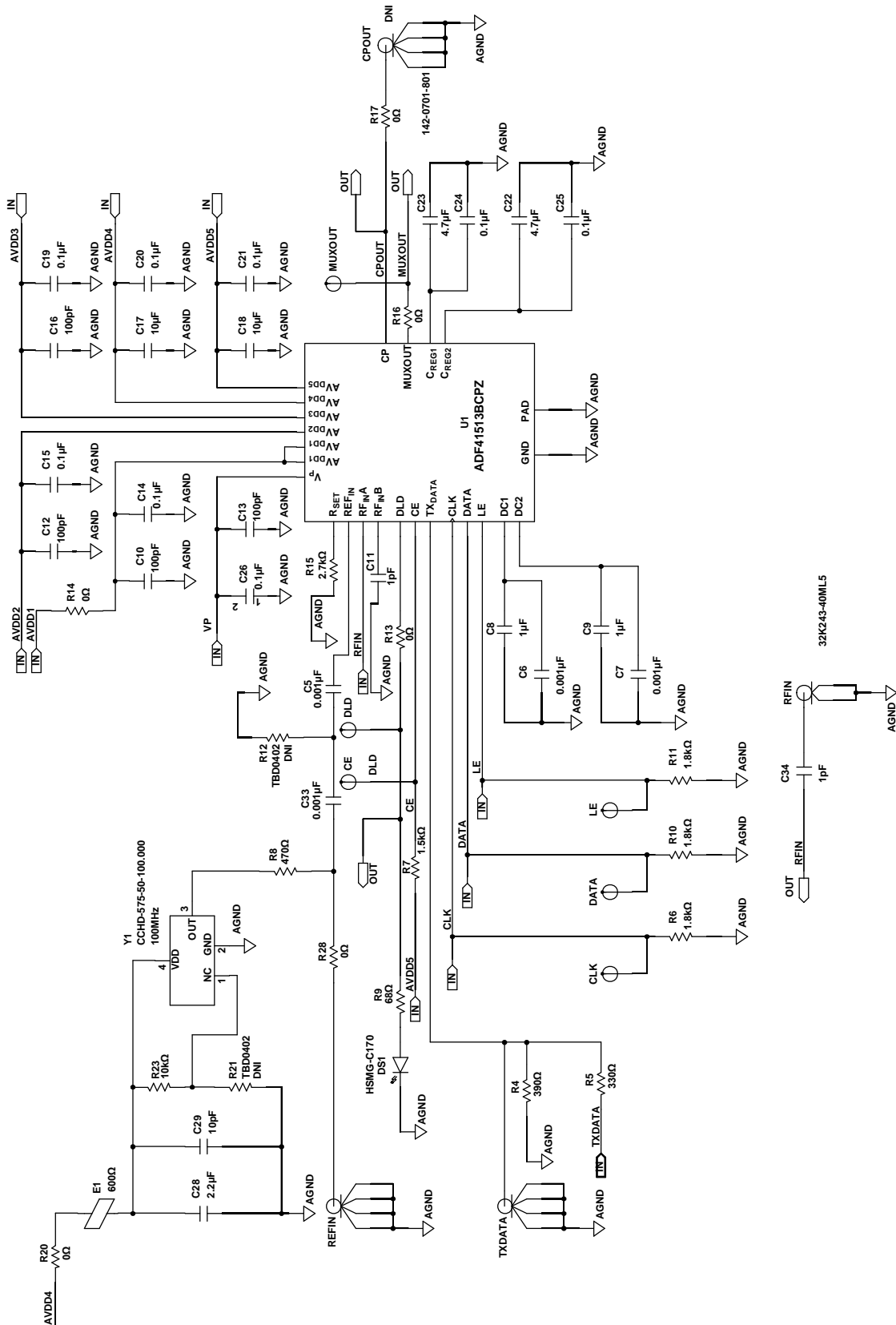


Figure 8. EV-ADF41513SD1Z Schematic
Rev. 0 | Page 9 of 21

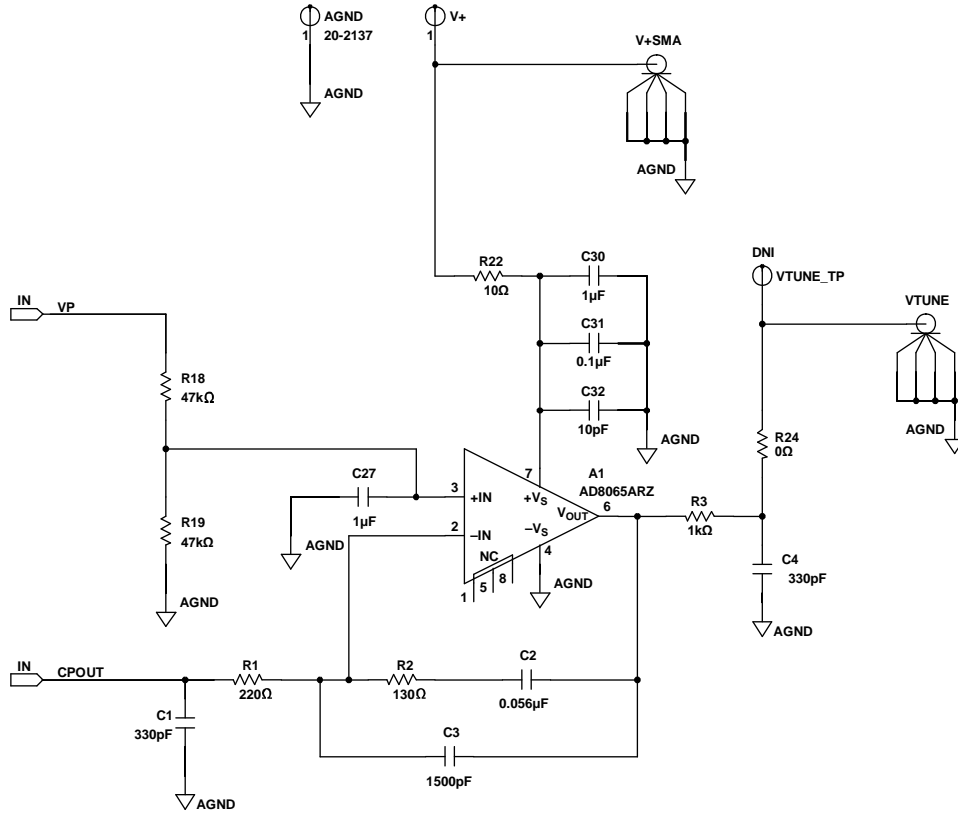


Figure 9. EV-ADF41513SD1Z Schematic, Loop Filter

17201-009

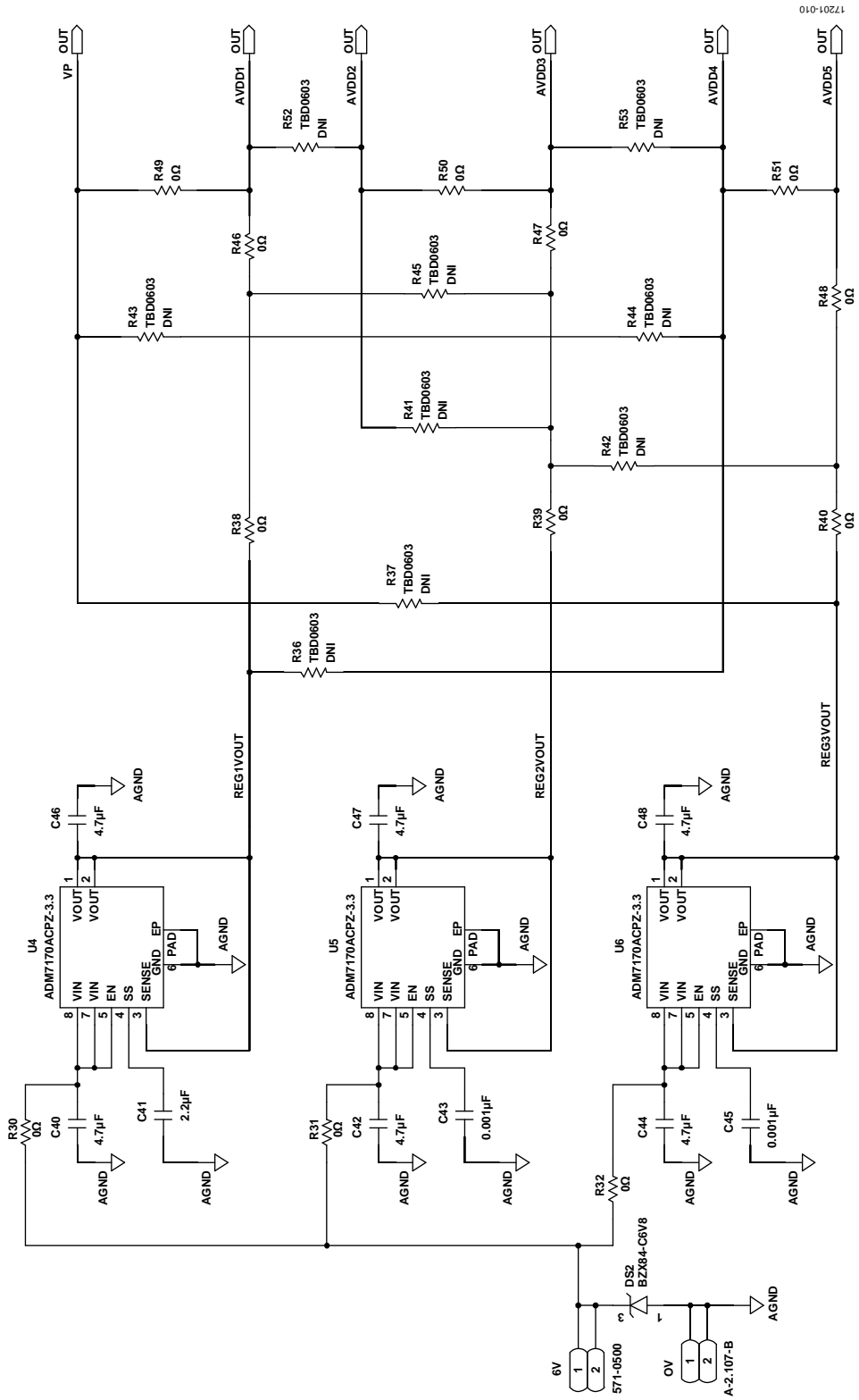


Figure 10. EV-ADF41513SD1Z Schematic, Power

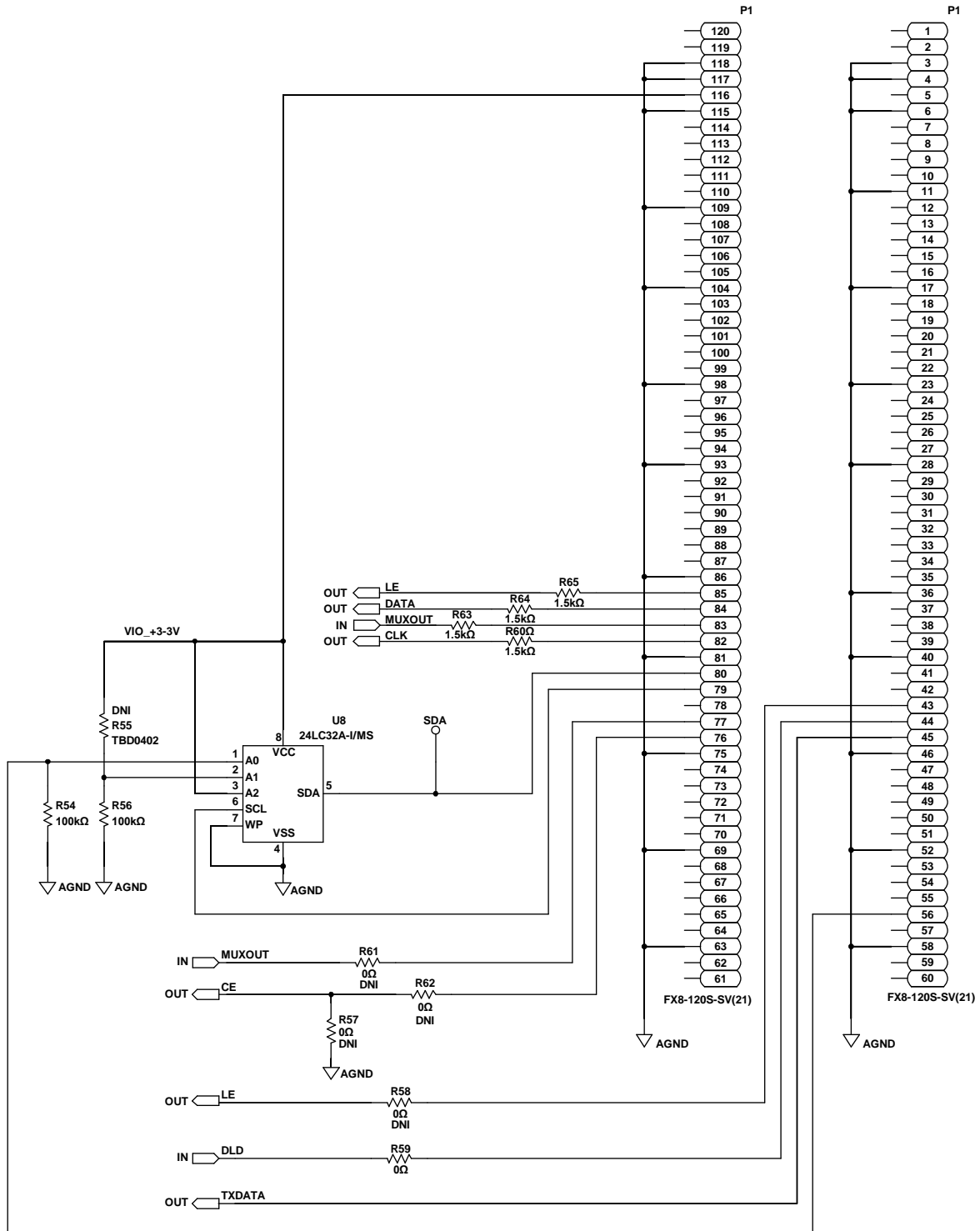


Figure 11. EV-ADF41513SD1Z Schematic, System Demonstration Platform (SDP) Connector

17201-011

EV-ADF41513SD2Z BOARD

17201-012

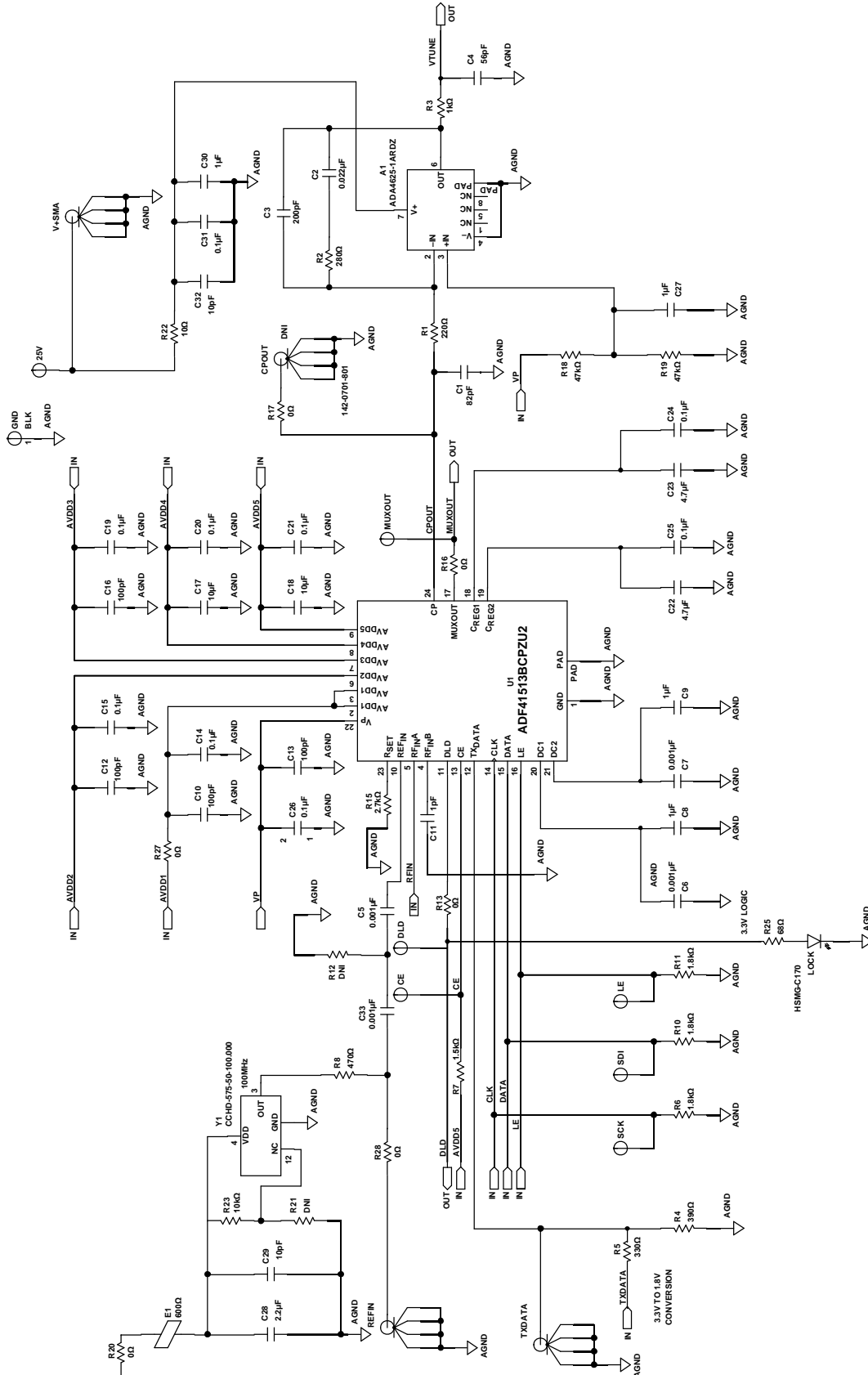


Figure 12. EV-ADF41513SD2Z with HMC733 VCO Schematic

17201-014

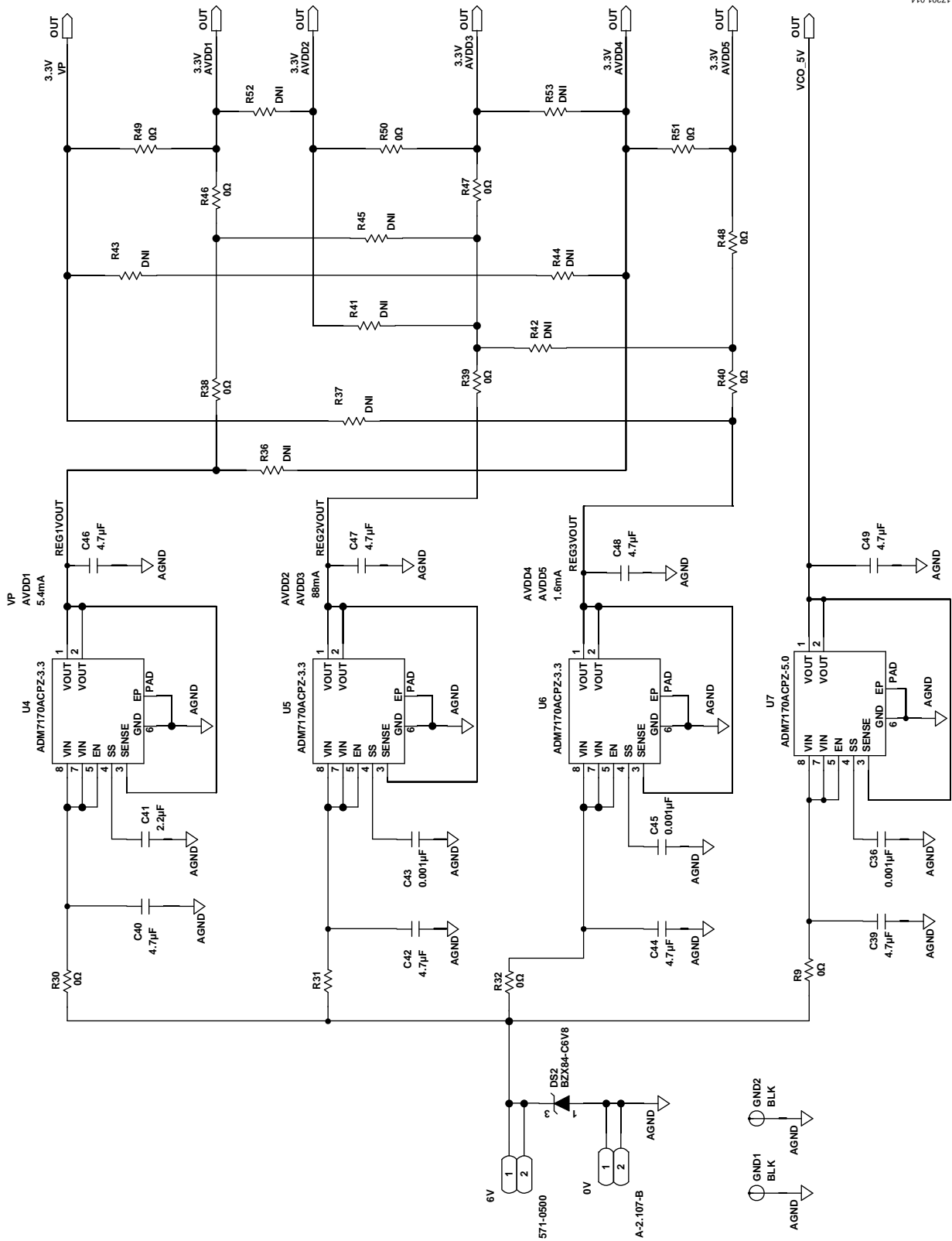


Figure 14. EV-ADF41513SD2Z Schematic, Power

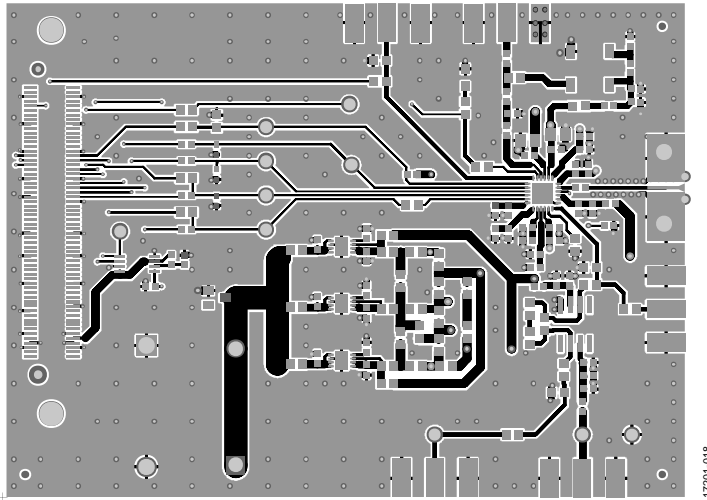


Figure 18. Layer 1 (Layers Same for EV-AD41513SD1Z and EV-ADF41513SD2Z)

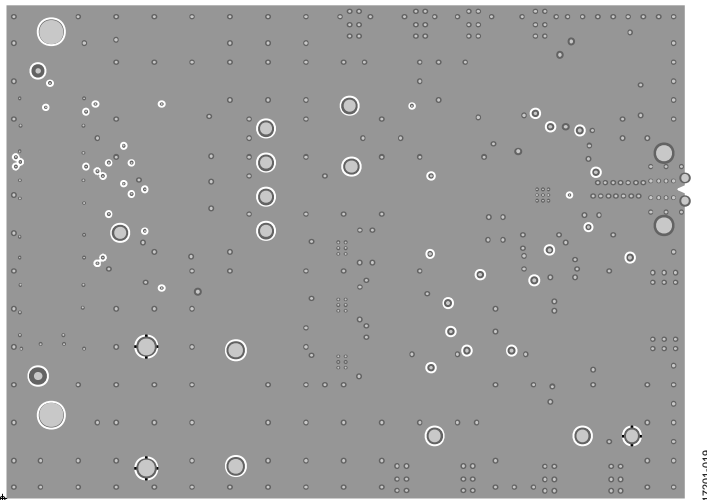


Figure 19. Layer 2 (Ground)

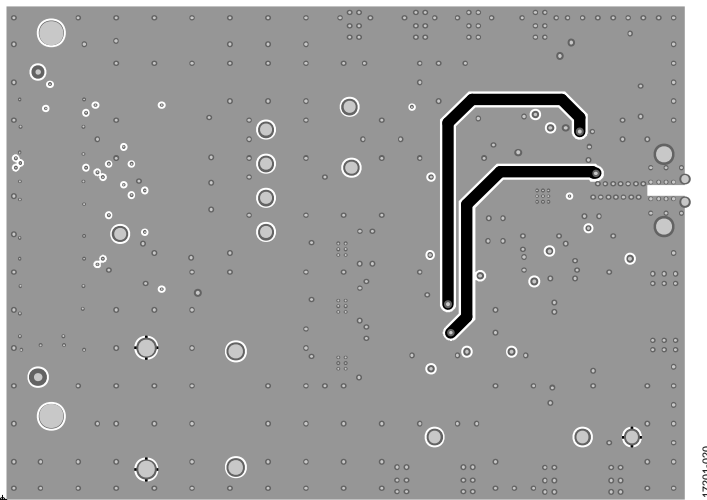


Figure 20. Layer 3

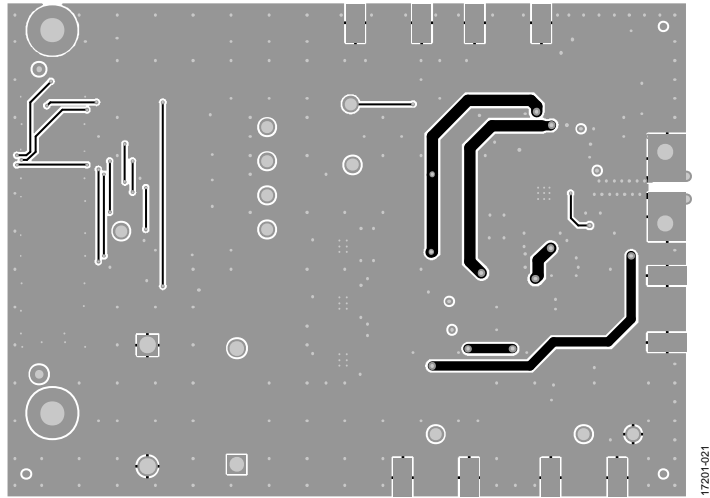


Figure 21. Layer 4

ORDERING INFORMATION

BILL OF MATERIALS

Table 1.

Component	Description	Part Number	Manufacturer
Not applicable	Printed circuit board (PCB)	08-040667C	Analog Devices, Inc. (supplied)
A1	IC, high performance, 145 MHz fast field effect transistor (FET) op amp	AD8065ARZ	Analog Devices
AGND	Connected PCB test point block	TP-104-01-00	Components Corporation
C1, C4	Capacitor, ceramic, NP0, 0603, 330 pF, 5%, 50 V	C0603C331J5GACTU	KEMET
C10, C12, C13, C16	Capacitor, ceramic, C0G, NP0, general-purpose, 100 pF, 5%, 50 V	GRM1555C1H101JA01D	Murata
C11, C34	Capacitor, ceramic, C0G NP0, 0402, 1 pF, 10%, 25 V	04023A1R0BAT2A	AVX
C14, C26, C31	Capacitor, ceramic, X7R, general-purpose, 0.1 pF, 10%, 16 V	GRM155R71C104KA88D	Murata
C15, C19, C20, C21, C24, C25	Capacitor, ceramic, X7R, 0.1 μF, 10%, 16 V	C0402C104K4RACTU	KEMET
C17, C18	Capacitor, ceramic, multilayer X5R, for SM-TH combo footprint use ALT_SYMBOLS, 10 μF, 10%, 25 V	C2012X5R1E106K085AC	TDK
C2	Capacitor, ceramic, X7R, 0.056 μF, 10%, 16 V	2238 786 16564	Yageo
C22, C23, C40, C42, C44, C46, C47, C48	Capacitor, ceramic, X5R, general-purpose, 4.7 μF, 20%, 6.3 V	GRM155R60J475ME87D	Murata
C8, C9, C27, C30	Capacitor, ceramic, X5R, general-purpose, 1 μF, 10%, 6.3 V	GRM155R60J105KE19D	Murata
C28, C41	Capacitor ceramic X5R, 2.2 μF, 10%, 6.3 V	C1005X5R0J225K050BC	TDK
C29, C32	Capacitor, multilayer, NP0 0402, 10 pF, 5%, 50 V	CC0402JRNPO9BN100	Yageo
C3	Capacitor, ceramic, X7R, 1500 pF, 5%, 50 V	2238 586 15625	Yageo
C5, C6, C7, C33, C43, C45	Capacitor, ceramic, chip, 0.001 μF, 5%, 25 V	C0402C102J3GACTU	KEMET
CE, DLD, LE, MUXOUT, SCK, SDA, SDI	Connected PCB test point, yellow	TP-104-01-04	Components Corporation
DS1	Light emitting diode (LED) 570 nm surface mount device (SMD), green, 0%, 2.2 V	HSMG-C170	Broadcom
DS2	Diode BZX84C 6.8 V Zener SOT-23, 5%, 6.8 V	BZX84-C6V8	Philips
E1	Inductor chip, ferrite bead, 600 Ω, 25%	BLM15AX601SN1D	Murata
OV	Connected PCB socket banana jack, black	A-2.107-B	Multicomp
P1	Connected PCB, vertical type receptacle SMD used in UG-291	FX8-120S-SV(21)	Hirose Electric
R1	Resistor, film, SMD 0603, 220 Ω, 1% {Found missing unit in schematic}	MC 0.063 W 0603 1% 220R	Multicomp
R6, R10, R11	Resistor, thick film, chip, 1.8 kΩ, 1%	CRCW04021K80FKED	Vishay Intertechnology
R13, R16, R17, R20, R24, R30, R31, R32, R38, R39, R40, R46, R47, R48, R49, R50, R51, R59	Resistor, film, SMD 0603, 1%	MC0603WG00000T5E-TC	Multicomp
R14	Resistor, thick film, chip, 1%, 50 V	MC00625W040210R	Multicomp
R15	Resistor, film, SMD 0603, 2.7 kΩ, 1%	MC 0.063 w 0603 1% 2K7	Multicomp
R18, R19	Resistor, precision thick film, chip, 47 kΩ, 1%, 50 V	ERJ-2RKF4702X	Panasonic
R2	Resistor, precision thick film, chip R0603, 130 Ω, 1% {Found missing unit in schematic}	ERJ3EKF1300V	Panasonic
R22	Resistor, precision thick film, chip, 10 Ω, 1% {Found missing unit in schematic}	ERJ-2RKF10R0X	Panasonic
R23	Resistor, high stab, flat chip, 10 kΩ, 0.1%, 50 V	TNPW040210K0BEED	Vishay Intertechnology
R28	Resistor, chip, SMD jumper, 0, N/R	ERJ-2GE0R00X	Panasonic
R3	Resistor, precision thick film, chip R0603, 1 kΩ, 1%	ERJ-3EKF1001V	Panasonic
R4	Resistor, film, SMD 0603, 390R, 1%	MC 0.063 w 0603 1% 390R	Multicomp
R5	Resistor, film, SMD 0603, 330R, 1%	MC 0.063 W 0603 1% 330R	Multicomp

Component	Description	Part Number	Manufacturer
R54, R56	Resistor, precision thick film, chip, 100 kΩ, 1%	ERJ-2RKF1003X	Panasonic
R7, R60, R63, R64, R65	Resistor, general-purpose, thick film, chip, 1.5 kΩ, 1%, 50 V	RMCF0402FT1K50	Stackpole Electronics
R8	Resistor, film, SMD 0603, 470R, 1%	MC 0.063 W 0603 1% 470R	Multicomp
R9	Resistor, film, SMD 0603, 68R, 1%	MC 0.063 W 0603 1% 68R	Multicomp
REIN, TXDATA, V+SMA, VTUNE	Connected PCB, coaxial SMA, end launch	142-0701-801	Cinch Connectivity Solutions
RFIN	Connected PCB, SMA, right angle (RA) jack, ALT_SYMBOLS is for nonplated mounting hole	32K243-40ML5	Rosenberger Hochfrequenz-technik GmbH & Co. KG
U1	IC 26.5 GHz, integer N or fractional N, PLL synthesizer, preliminary	ADF41513BCPZU2	Analog Devices
U4, U5, U6	IC ultra low noise, high power supply rejection ratio (PSRR), fast transient response, complementary metal-oxide semiconductor (CMOS), LDO, 3.3 V	ADM7170ACPZ-3.3-R7	Analog Devices
U8	IC 32 kB, serial electronically erasable programmable read only memory (EEPROM), 0 V	23LC32A-I/MS	Microchip Technology
V+	Connected PCB, test point, red	TP-104-01-02	Components Corporation
Y1	100 MHz, 0%, 3.3 V	CCHD-575-50-1000.000	Crystek
CPOUT	Connected PCB, coaxial SMA, end launch	142-0701-801	Cinch Connectivity Solutions
R12, R21, R55	Do not install (TBD_R0402), use SYM_3 or SYM_4	TBD0402	TBD0402
R36, R37, R41, R42, R43, R44, R45, R52, R53	Do not install (TBD_R0603), use SYM_3 or SYM_4	TBD0603	TBD0603
R57, R58, R61, R62	Resistor, film, SMD 0603, 1%	MC0603WG00000T5E-TC	Multicomp
VTUNE_TP	Connected PCB, test point, yellow	TP-104-01-04	Components Corporation

**ESD Caution**

ESD (electrostatic discharge) sensitive device. Charged devices and circuit boards can discharge without detection. Although this product features patented or proprietary protection circuitry, damage may occur on devices subjected to high energy ESD. Therefore, proper ESD precautions should be taken to avoid performance degradation or loss of functionality.

Legal Terms and Conditions By using the evaluation board discussed herein (together with any tools, components documentation or support materials, the "Evaluation Board"), you are agreeing to be bound by the terms and conditions set forth below ("Agreement") unless you have purchased the Evaluation Board, in which case the Analog Devices Standard Terms and Conditions of Sale shall govern. Do not use the Evaluation Board until you have read and agreed to the Agreement. Your use of the Evaluation Board shall signify your acceptance of the Agreement. This Agreement is made by and between you ("Customer") and Analog Devices, Inc. ("ADI"), with its principal place of business at One Technology Way, Norwood, MA 02062, USA. Subject to the terms and conditions of the Agreement, ADI hereby grants to Customer a free, limited, personal, temporary, non-exclusive, non-sublicensable, non-transferable license to use the Evaluation Board FOR EVALUATION PURPOSES ONLY. Customer understands and agrees that the Evaluation Board is provided for the sole and exclusive purpose referenced above, and agrees not to use the Evaluation Board for any other purpose. Furthermore, the license granted is expressly made subject to the following additional limitations: Customer shall not (i) rent, lease, display, sell, transfer, assign, sublicense, or distribute the Evaluation Board; and (ii) permit any Third Party to access the Evaluation Board, as used herein, the term "Third Party" includes any entity other than ADI, Customer, their employees, affiliates and in-house consultants. The Evaluation Board is NOT sold to Customer; all rights not expressly granted herein, including ownership of the Evaluation Board, are reserved by ADI. CONFIDENTIALITY. This Agreement and the Evaluation Board shall all be considered the confidential and proprietary information of ADI. Customer may not disclose or transfer any portion of the Evaluation Board to any other party for any reason. Upon discontinuation of use of the Evaluation Board or termination of this Agreement, Customer agrees to promptly return the Evaluation Board to ADI. ADDITIONAL RESTRICTIONS. Customer may not disassemble, decompile or reverse engineer chips on the Evaluation Board. Customer shall inform ADI of any occurred damages or any modifications or alterations it makes to the Evaluation Board, including but not limited to soldering or any other activity that affects the material content of the Evaluation Board. Modifications to the Evaluation Board must comply with applicable law, including but not limited to the RoHS Directive. TERMINATION. ADI may terminate this Agreement at any time upon giving written notice to Customer. Customer agrees to return to ADI the Evaluation Board at that time. LIMITATION OF LIABILITY. THE EVALUATION BOARD PROVIDED HEREUNDER IS PROVIDED "AS IS" AND ADI MAKES NO WARRANTIES OR REPRESENTATIONS OF ANY KIND WITH RESPECT TO IT. ADI SPECIFICALLY DISCLAIMS ANY REPRESENTATIONS, ENDORSEMENTS, GUARANTEES, OR WARRANTIES, EXPRESS OR IMPLIED, RELATED TO THE EVALUATION BOARD INCLUDING, BUT NOT LIMITED TO, THE IMPLIED WARRANTY OF MERCHANTABILITY, TITLE, FITNESS FOR A PARTICULAR PURPOSE OR NON-INFRINGEMENT OF INTELLECTUAL PROPERTY RIGHTS. IN NO EVENT WILL ADI AND ITS LICENSORS BE LIABLE FOR ANY INCIDENTAL, SPECIAL, INDIRECT, OR CONSEQUENTIAL DAMAGES RESULTING FROM CUSTOMER'S POSSESSION OR USE OF THE EVALUATION BOARD, INCLUDING BUT NOT LIMITED TO LOST PROFITS, DELAY COSTS, LABOR COSTS OR LOSS OF GOODWILL. ADI'S TOTAL LIABILITY FROM ANY AND ALL CAUSES SHALL BE LIMITED TO THE AMOUNT OF ONE HUNDRED US DOLLARS (\$100.00). EXPORT. Customer agrees that it will not directly or indirectly export the Evaluation Board to another country, and that it will comply with all applicable United States federal laws and regulations relating to exports. GOVERNING LAW. This Agreement shall be governed by and construed in accordance with the substantive laws of the Commonwealth of Massachusetts (excluding conflict of law rules). Any legal action regarding this Agreement will be heard in the state or federal courts having jurisdiction in Suffolk County, Massachusetts, and Customer hereby submits to the personal jurisdiction and venue of such courts. The United Nations Convention on Contracts for the International Sale of Goods shall not apply to this Agreement and is expressly disclaimed.