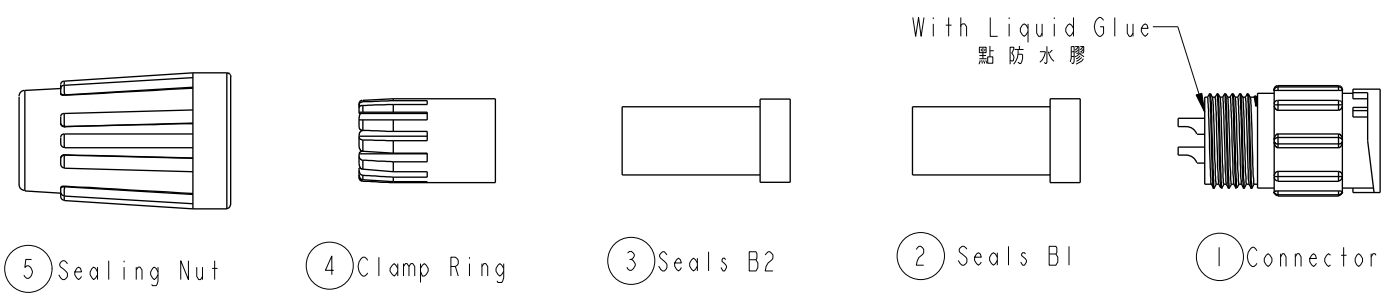


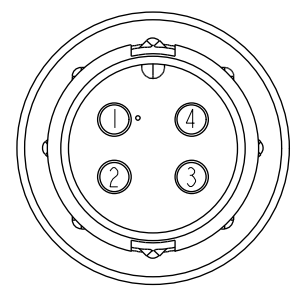
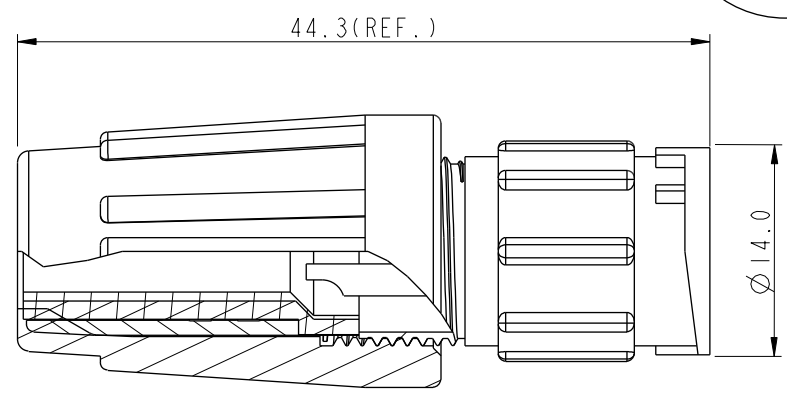
THIS DOCUMENT IS SUBJECT TO CHANGE WITHOUT NOTICE. IT IS CONFIDENTIAL AND A PROPERTY OF AMPHENOL LTW. DISCLOSURE TO THIRD PARTY HAS TO BE AUTHORIZED BY AMPHENOL LTW.

REV.	ECN NO.	DATE	SIGN	DESCRIPTION



ALTW
 DCC. DEPT.
 CONFIDENTIAL
 2012-03-28
ISSUED

ALTW
 CONFIDENTIAL
 2012-03-19
 R&D DEPT.



Pin Assignments
Front View 前視圖

Note:

- * Seals B1 for Cable OD: $\varnothing 4.5\text{mm} \sim \varnothing 6.5\text{mm}$
(防水墊圈B1線徑: $\varnothing 4.5\text{mm} \sim \varnothing 6.5\text{mm}$)
- * Seals B2 for Cable OD: $\varnothing 3.5\text{mm} \sim \varnothing 5.3\text{mm}$
(防水墊圈B2線徑: $\varnothing 3.5\text{mm} \sim \varnothing 5.3\text{mm}$)
- * One Set Unassembled in One PE Bag
(每一組未組裝, 放置於一個PE袋, 並封口)
- * CC Important Dimension.
- * Waterproof Rate: IP66
- * Housing: Black, Nylon+GF
- * Pin: Copper Alloy, Gold Plated
- * Seals: Black, EPDM
- * Clamping Ring: Black, Nylon
- * Sealing Nut: Black, Nylon
- * PE Bag: 90mm*85mm
- * Liquid Glue: Clear

UNIT: mm TOLERANCE .X ±0.25 .XX ±0.1 .XXX ±0.05 ANGLES ±1°	TITLE Standard, Assy Lock 4Pin M Conn M Pin			<h1 style="text-align: center;">Amphenol LTW</h1> <h2 style="text-align: center;">安費諾亮泰企業股份有限公司</h2>		ITEM NO	BD-04BMMA-LL6001	DRAWN BY	SamChang	DATE	2012-03-19					
	SCALE	1:1	SIZE			A4	SHEET	1	OF	1	DWG NO	BD-04BMMA-LL6001	CHECKED BY	Jeffrey	DATE	2012-03-28
	REV.	A	WC-REV.			A.2	CC : Inspection item		CUSTOMER	ALTW	APPROVED BY	Kevin	DATE	2012-03-28		