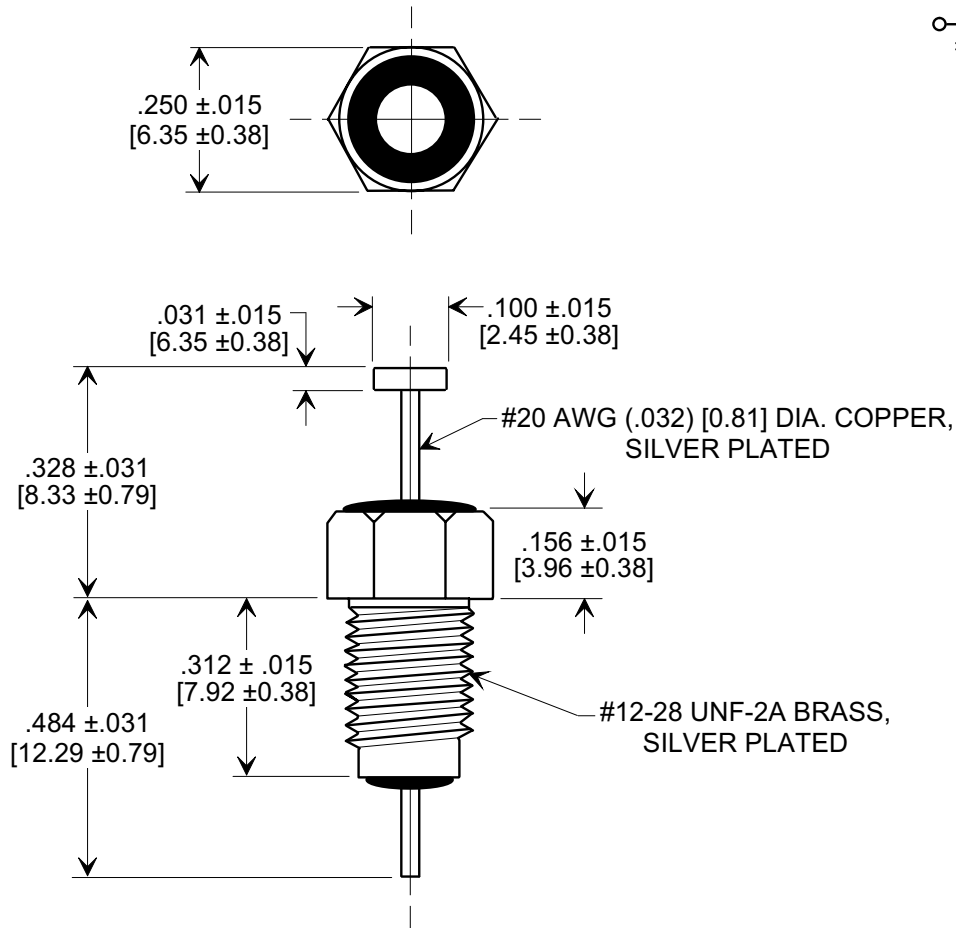
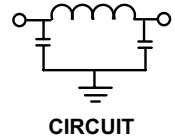
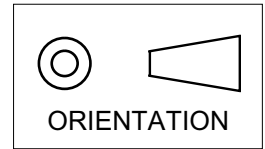


**MARKETING SALES DRAWING**  
**DIMENSIONS IN INCHES - DO NOT SCALE THIS DRAWING**  
**DIMENSIONS IN METRIC - [ ]**

Electrical Testing  
per Tusonix standard  
test plans and Mil-Std-202  
Test Methods.



**NOTES:**

- SUPPLIED WITH SILVER PLATED HEX NUT AND LOCK WASHER.
- TUSONIX STANDARD PART NUMBER: 4202-021.  
TUSONIX RoHS COMPLIANT PART NUMBER: 4202-021 LF.  
CUSTOMER MUST SPECIFY STANDARD OR RoHS PART NUMBER WHEN ORDERING.
- PART MARKING: TRADEMARK AND VARIATION NUMBER ON HEX FLATS.  
STANDARD PART: BLACK INK. RoHS PART: GREEN INK.

MIN. CAP. (pF)	WORKING VOLTAGE (WVdc)		CURRENT (Idc)	DWV (VDC)	I.R. MIN. @ 100 VDC	MINIMUM NO LOAD INSERTION LOSS (dB) AT 25°C PER MIL-STD -220			
	85°C	125°C				10 MHz	100 MHz	1 GHz	10 GHz
1500	350	200	10 A	700	10 G	5	45	70	70

X-2015 Rev-0	<b>REVISION RECORD</b>			--TOLERANCES-- Unless Otherwise Specified	Title	
	Original Release C.O. <b>1617</b>	<b>0</b>			<b>BUSHING STYLE EMI FILTER</b>	
	CURRENT UNIT "A" ADDED. L.E. 8-20-85	<b>1</b>		Drawn S.M. 02-12-02		
	RDN TO COMP FMT & ADDED METRIC. S.M. 02-12-02	<b>2</b>		Approved T.C. 02-12-02		
ADDED NOTES 2, 3 & REF. TO PLATING ON LEAD & BUSHING. S.M. 05-18-05	<b>20020213-3-09</b>	<b>2</b>	<b>TUSONIX</b> TUCSON, ARIZONA	<b>A</b>	<b>4202-021</b>	
	<b>20050503-6-13</b>	<b>3</b>				