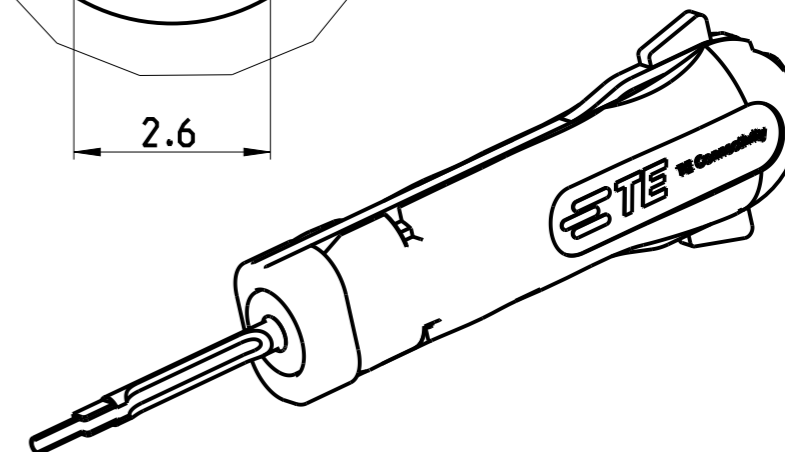
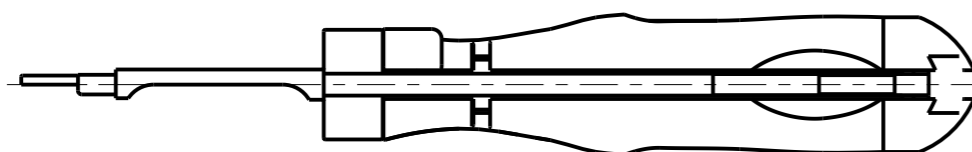
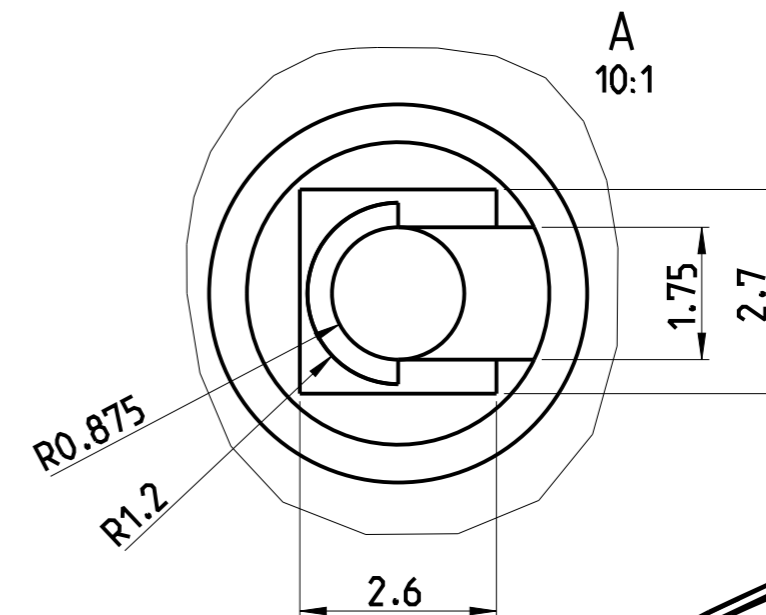
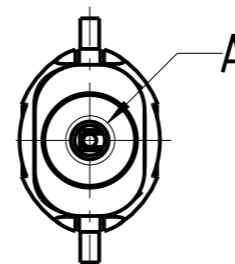
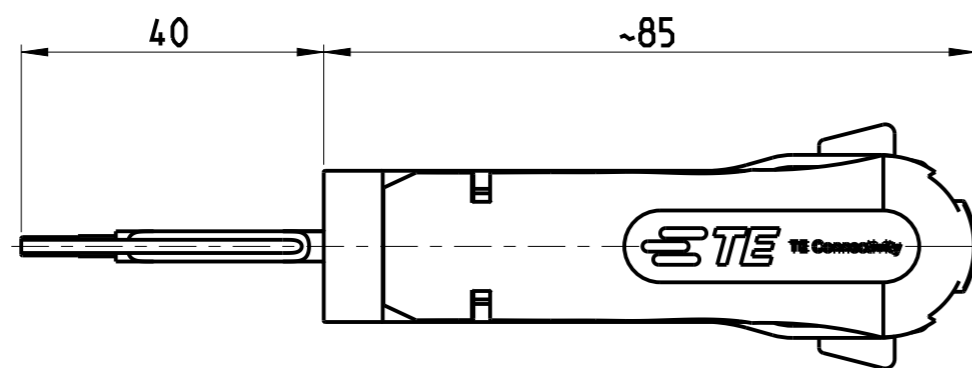
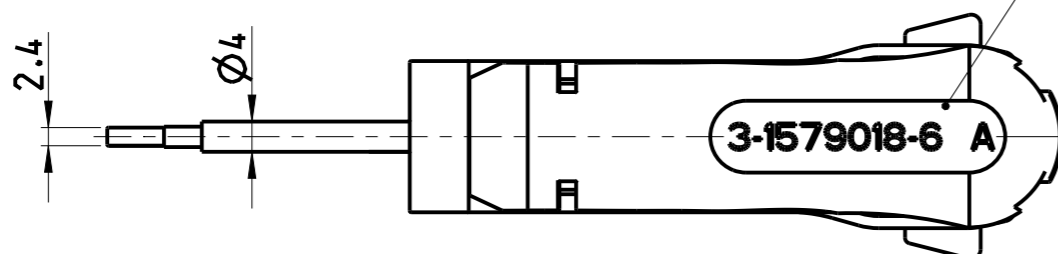


REVISIONS

P	LTR	DESCRIPTION	DATE	DWN	APVD
A		INITIAL REVISION	13AUG2009	SA	GS
A1		ECR-21-001703	18FEB2021	PNT	GS



ITEM NUMBER
Art-Nr H=3mm



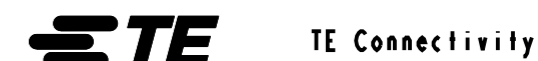
APPLICATION RANGE / Anwendungsbereich :

FOR HOUSING : 282699
FOR CONTACT: 968052

THIS DRAWING IS A CONTROLLED DOCUMENT.

DIMENSIONS:	TOLERANCES UNLESS OTHERWISE SPECIFIED:
mm	
	0 PLC ±
	1 PLC ±
	2 PLC ±
	3 PLC ±
	4 PLC ±
	ANGLES ±
MATERIAL	FINISH
	-

DWN	S. Samstag	13AUG2009
CHK	G. Stegmayer	13AUG2009
APVD	G. Stegmayer	13AUG2009
PRODUCT SPEC	-	
APPLICATION SPEC	-	
WEIGHT	-	
CUSTOMER DRAWING		



NAME				RESTRICTED TO	
INSERTION TOOL Eindrueckwerkzeug					
SIZE	CAGE CODE	DRAWING NO			
A3	00779	C-3-1579018-6			
SCALE			SHEET	OF	REV
1:1			1	1	A1