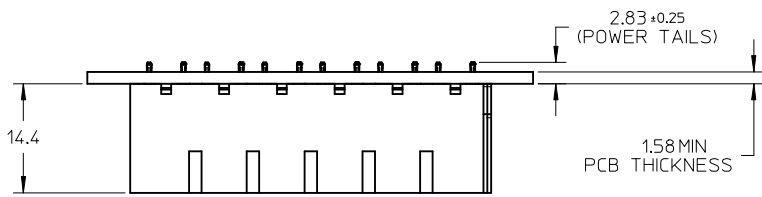
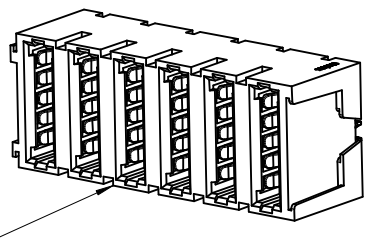
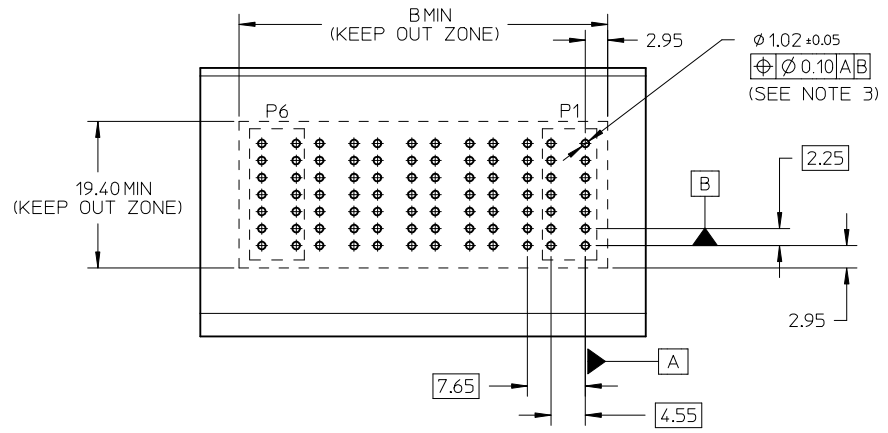
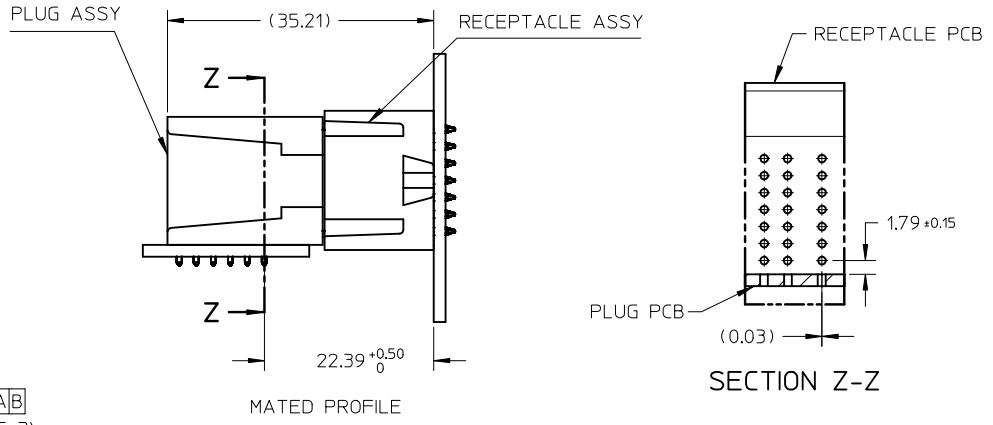
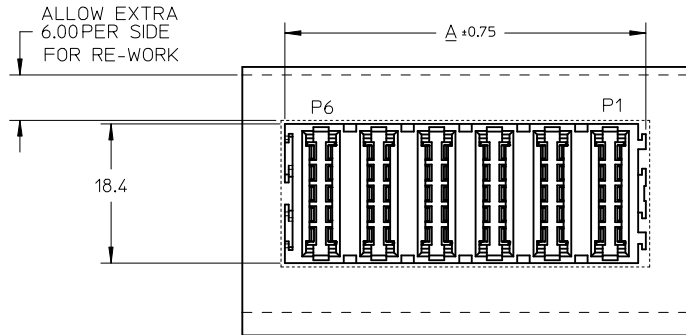


10 9 8 7 6 5 4 3 2 1



PART NUMBER	# OF POWERS	DIM 'A'	DIM 'B'
172186-0009	6	47.75	48.75
172186-0010	4	32.45	33.45
172186-0011	2	17.15	18.15



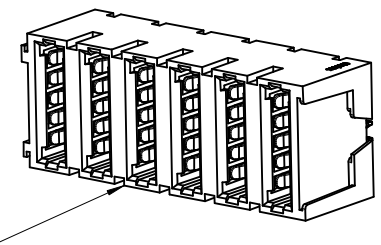
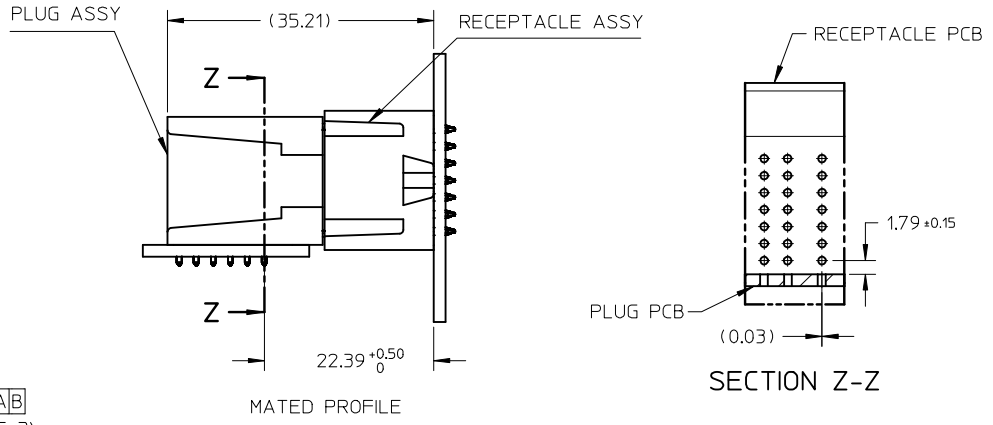
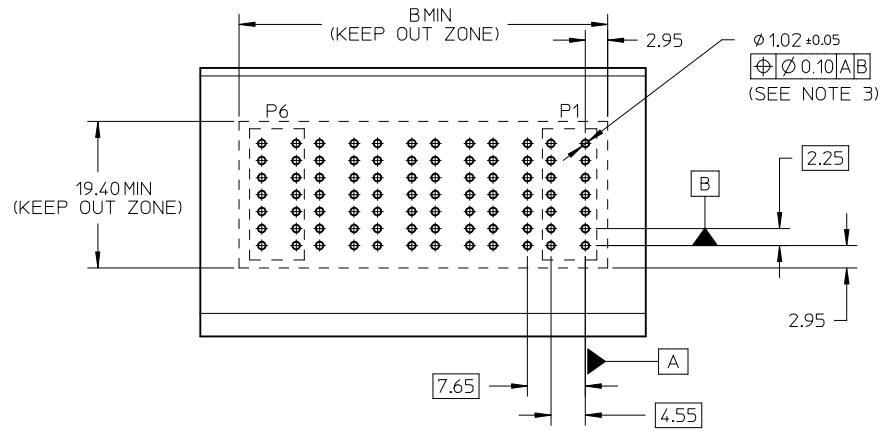
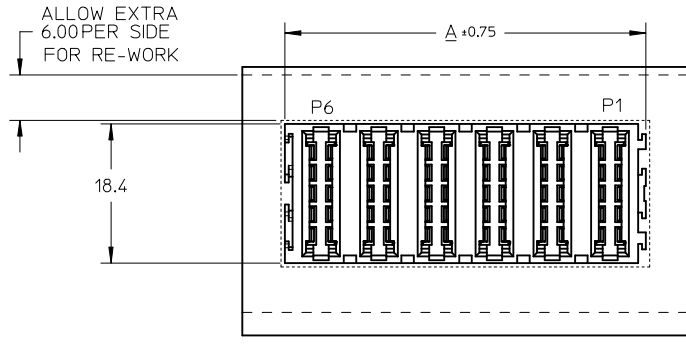
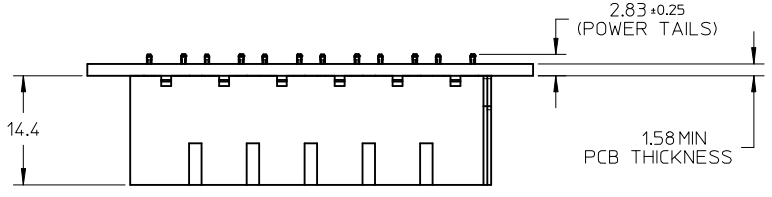
- NOTE:
- MATERIAL:
 - HOUSINGS: LCP UL94, V-0, COLOR: BLACK
 - TERMINALS: COPPER ALLOY
 - PLATING: 1.27µm (50µ") NICKEL OVERALL WITH 2.54µm (100µ") SELECTIVE TIN ON TAILS AND 0.762µm (30µ") SELECTIVE GOLD ON CONTACT AREA
 - PACKAGING SPECIFICATION: PK-172186-0002
 - PLATED THRU HOLE SIZE, REFER TO PS-172185-0001 FOR DETAILS
 - PRODUCT SPEC: PS-172185-0001
 - PRODUCT TO MEET RoHS REQUIREMENTS
 - FOR MATING PARTS SEE PLUG ASSEMBLY SD-172185-0009
 - TAIL DESIGN: COMPLIANT PIN
 - CONTACTS ARE LUBRICATED

REV	DESCRIPTION	QUALITY SYMBOLS	GENERAL TOLERANCES (UNLESS SPECIFIED)		DIMENSION STYLE		SCALE	DESIGN UNITS	THIRD ANGLE PROJECTION		
			mm	INCH	MM ONLY	NTS	METRIC	PROJECTION			
A2	UPDATE PK SPEC EC NO: S2018-0069 DRWN:CGOH 2017/08/03 CHKD:EAH 2017/08/18 APPR:KHLIM 2017/08/18	$\nabla_A = 0$ $\nabla_E = 0$ $\nabla_F = 0$	4 PLACES ± --- ± ---	3 PLACES ± --- ± ---	2 PLACES ± 0.13 ± ---	1 PLACE ± 0.25 ± ---	0 PLACE ± --- ± ---	ANGULAR ± 3 °	DRAFT WHERE APPLICABLE MUST REMAIN WITHIN DIMENSIONS	SIZE A3	THIS DRAWING CONTAINS INFORMATION THAT IS PROPRIETARY TO MOLEX INCORPORATED AND SHOULD NOT BE USED WITHOUT WRITTEN PERMISSION
					DRAWN BY CGOH	DATE 2015/01/04	TITLE	MODULAR ENERGETIC VERT RECEPTACLE ASSY POWER MODULE W/O GUIDE			
					CHECKED BY EANG	DATE 2015/06/09					
					APPROVED BY KHLIM	DATE 2015/06/09					
					MATERIAL NO.	DOCUMENT NO. SD-172186-0009	SHEET NO. 1 OF 1				

9 8 7 6 5 4 3 2 1

10 9 8 7 6 5 4 3 2 1

PART NUMBER	# OF POWERS	DIM 'A'	DIM 'B'
172186-0009	6	47.75	48.75
172186-0010	4	32.45	33.45
172186-0011	2	17.15	18.15



- NOTE:
- MATERIAL:
 - HOUSINGS: LCP UL94, V-0, COLOR: BLACK
 - TERMINALS: COPPER ALLOY
 - PLATING: 1.27μm (50μ") NICKEL OVERALL WITH 2.54μm (100μ") SELECTIVE TIN ON TAILS AND 0.762 μm (30μ") SELECTIVE GOLD ON CONTACT AREA
 - PACKAGING SPECIFICATION: PK-172186-0002
 - PLATED THRU HOLE SIZE, REFER TO PS-172185-0001 FOR DETAILS
 - PRODUCT SPEC: PS-172185-0001
 - PRODUCT TO MEET RoHS REQUIREMENTS
 - FOR MATING PARTS SEE PLUG ASSEMBLY SD-172185-0009
 - TAIL DESIGN: COMPLIANT PIN
 - CONTACTS ARE LUBRICATED

RECOMMENDED PCB LAYOUT AND KEEP OUT ZONE

UPDATE PK SPEC EC NO: S2018-0069 DRW: CGOH 2017/08/03 CHK: DEANG 2017/08/18 APPR: KHL IM 2017/08/18	QUALITY SYMBOLS $\nabla_A = 0$ $\nabla_E = 0$ $\nabla_F = 0$	GENERAL TOLERANCES (UNLESS SPECIFIED)		DIMENSION STYLE	SCALE	DESIGN UNITS	THIRD ANGLE PROJECTION	
				MM ONLY	NTS	METRIC		
			mm	INCH	DRAWN BY	DATE	TITLE	
		4 PLACES	± ---	± ---	CGOH	2015/01/04	MODULAR ENERGETIC VERT RECEPTACLE ASSY POWER MODULE W/O GUIDE	
3 PLACES	± ---	± ---	CHECKED BY	DATE				
2 PLACES	± 0.13	± ---	EANG	2015/06/09				
1 PLACE	± 0.25	± ---	APPROVED BY	DATE				
0 PLACE	± ---	± ---	KHL IM	2015/06/09				
		ANGULAR ± 3 °		MATERIAL NO.	DOCUMENT NO.		SHEET NO.	
DRAFT WHERE APPLICABLE MUST REMAIN WITHIN DIMENSIONS		SEE TABLE		SD-172186-0009		1 OF 1		
THIS DRAWING CONTAINS INFORMATION THAT IS PROPRIETARY TO MOLEX INCORPORATED AND SHOULD NOT BE USED WITHOUT WRITTEN PERMISSION								

9 8 7 6 5 4 3 2 1