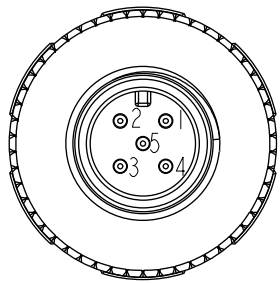
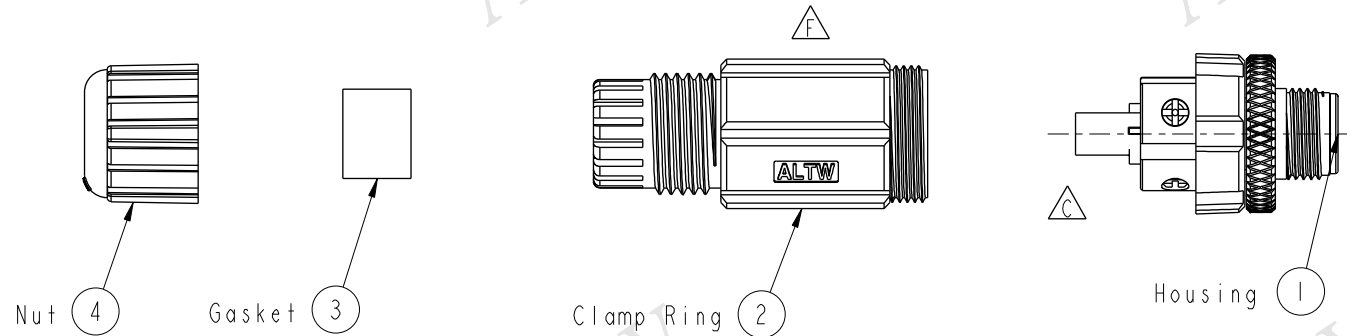
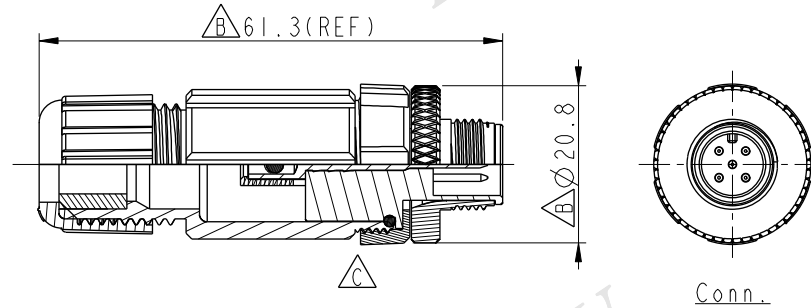


REV.	ECN NO.	DATE	SIGN	DESCRIPTION
D	LEN1350068	2013/04/29	Ruru	Modify Seals Cable OD
E	LEN14A0194	2014/10/14	Jinhai	Change Housing Material
F	LEN15A0025	2015/09/18	Ruru	Change Logo



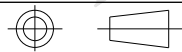
Pin Assignments
Front View



Conn.

- Note:**
- * Waterproof Rate : IP67
 - * Connector: PP, Black
 - * Male Pin: Copper Alloy, Gold Plated
 - * O-Ring: EPDM, Black
 - * Holder: Nylon+GF, Black
 - * Insulator: PVC, Black
 - * Clamp Ring: Nylon 66, Black
 - * Gasket: EPDM, Black
 - * Sealing Nut: Nylon 66, Black
 - * Screw Nut: Copper Alloy, Nickel Plated
 - * Seals For Cable OD $\varnothing 4.5\text{mm}-\varnothing 6.5\text{mm}$
 - * Temperature Range: $-40^{\circ}\text{C}\sim+85^{\circ}\text{C}$.

UNIT:mm



TOLERANCE
.X ± 0.25
.XX ± 0.1
.XXX ± 0.05
ANGLES $\pm 1^{\circ}$

TITLE M12 Ass'y Screw 5P M Conn M Pin			
SCALE 1:1	SIZE A4	SHEET 1 OF 1	
REV. F	WC-REV. B.3	QC: Inspection item	

Amphenol LTW
安費諾亮泰企業股份有限公司

ITEM NO 12-05BMMB-SL7001	DRAWN BY Ruru	DATE 2015-09-18
DWG NO 12-05BMMB-SL7001	CHECKED BY Rita	DATE 2015-09-18
CUSTOMER ALTW	APPROVED BY Lion	DATE 2015-09-18

THIS DOCUMENT IS SUBJECT TO CHANGE WITHOUT NOTICE. IT IS CONFIDENTIAL AND A PROPERTY OF AMPHENOL LTW. DISCLOSURE TO THIRD PARTY HAS TO BE AUTHORIZED BY AMPHENOL LTW.