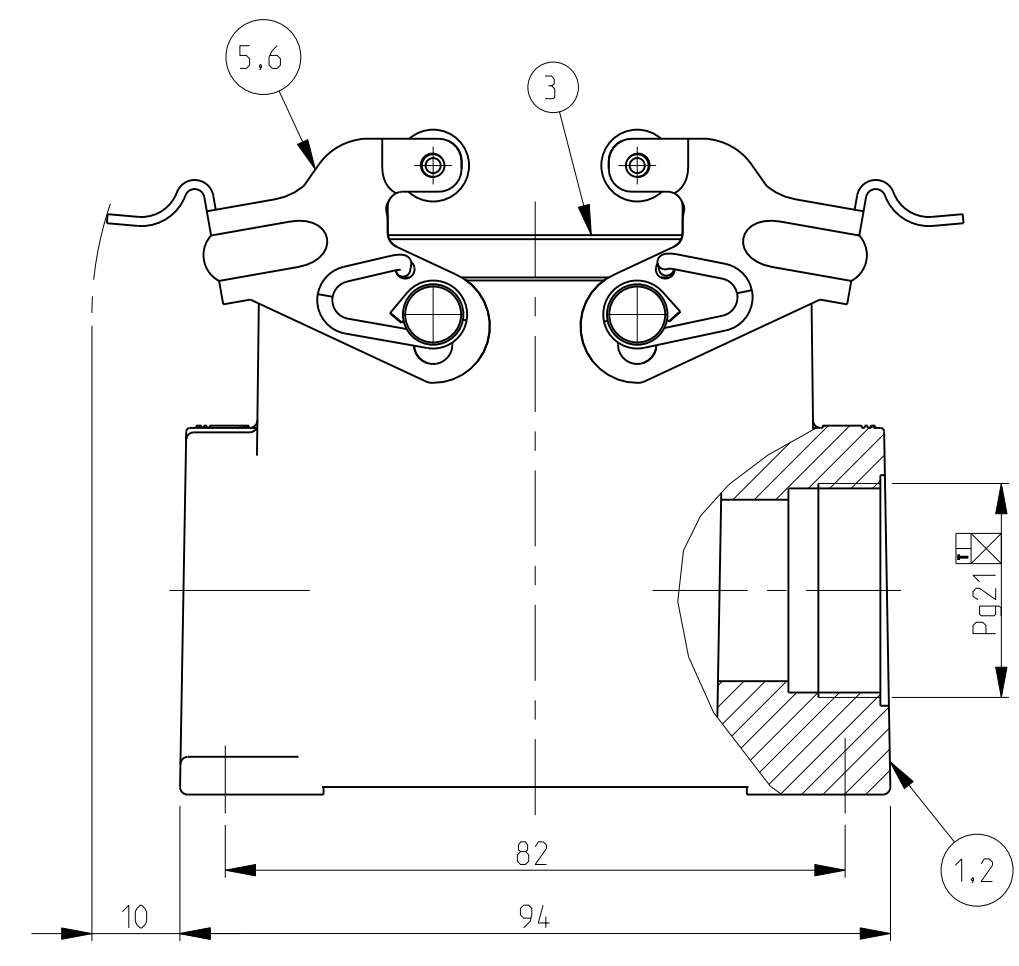
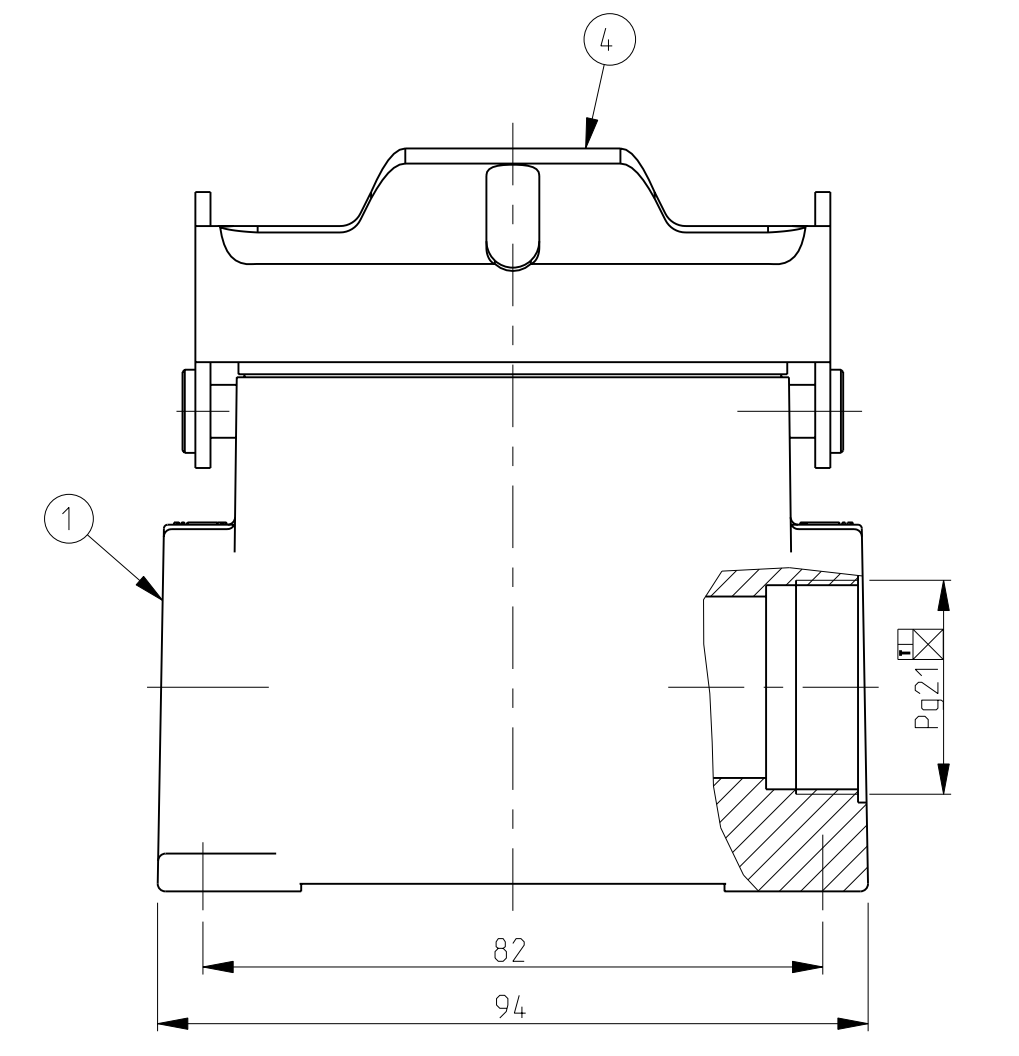
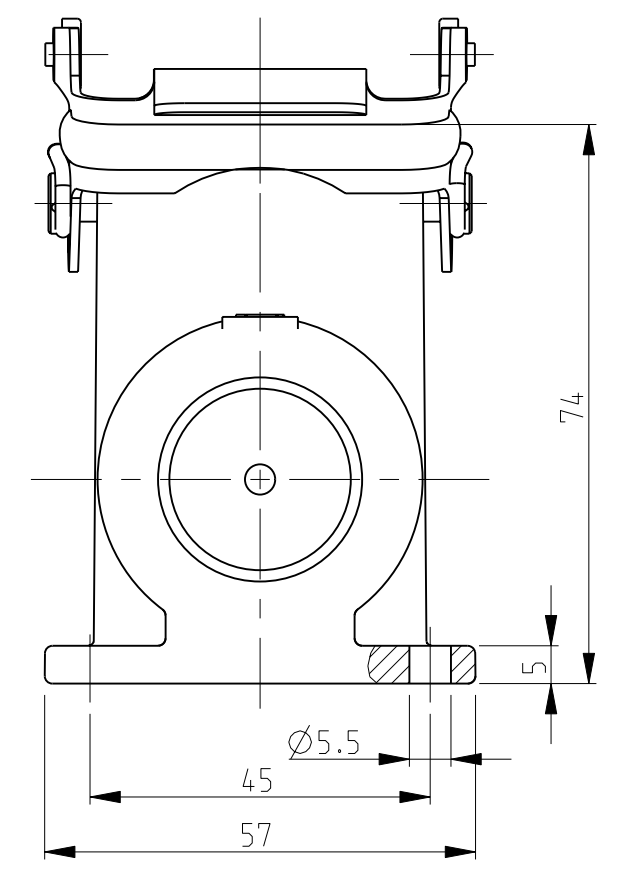


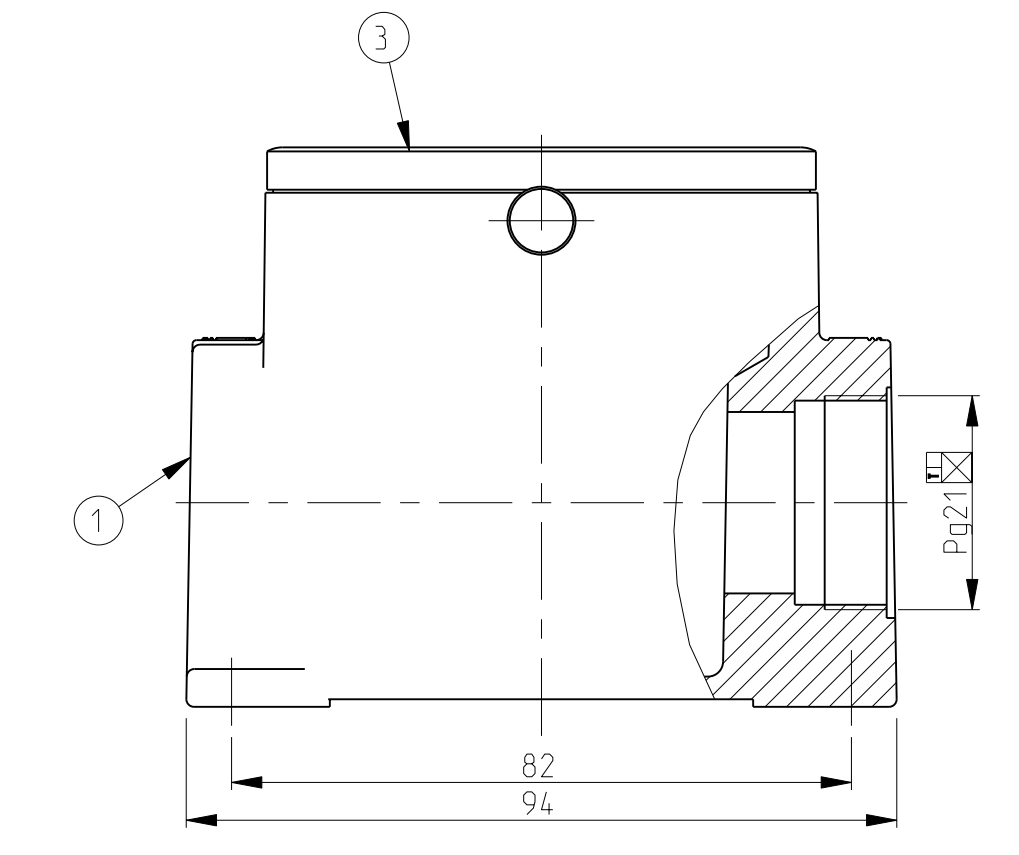
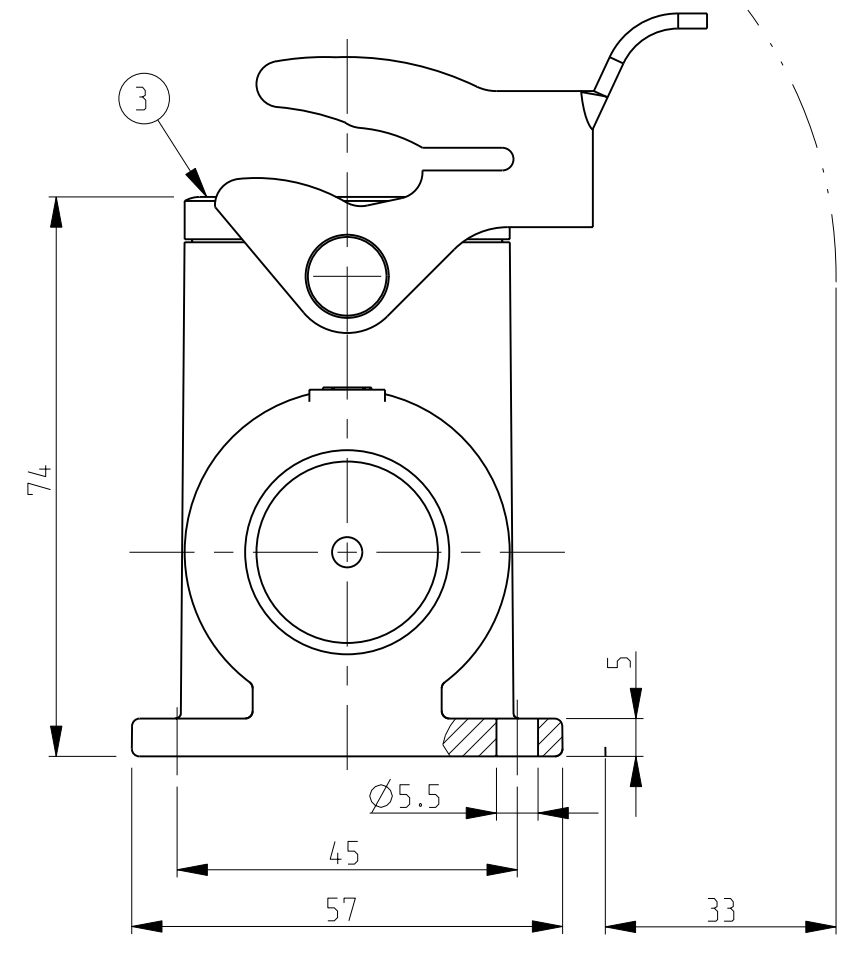
LOC	DIST	REVISIONS			
P	LTR	DESCRIPTION	DATE	DWN	APVD
A3		ECR-16-015318	20SEP2017	GR	MKO
A4		REVISED PER ECR-16-016768	24JAN2018	SRG	MKO



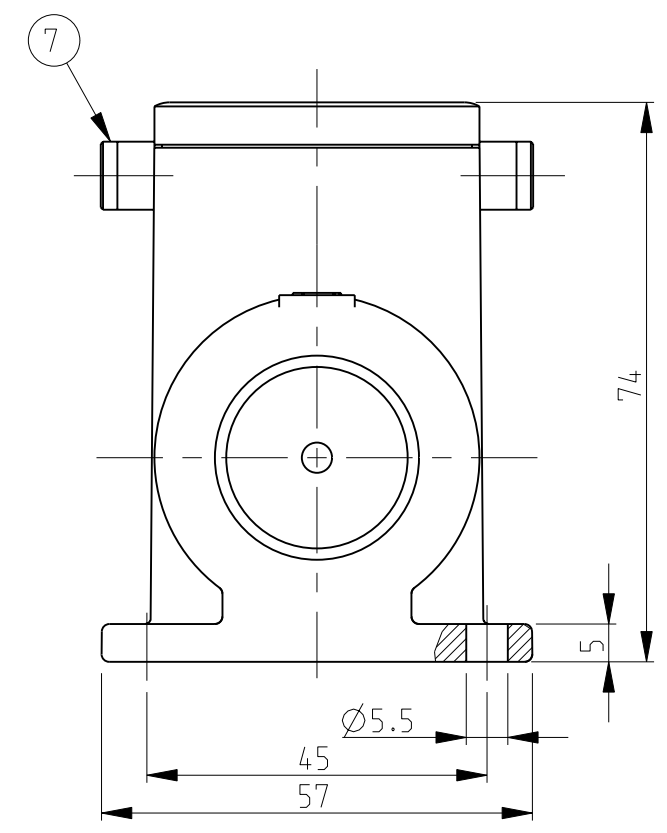
PN 1-1 & 2-1



PN 1-2

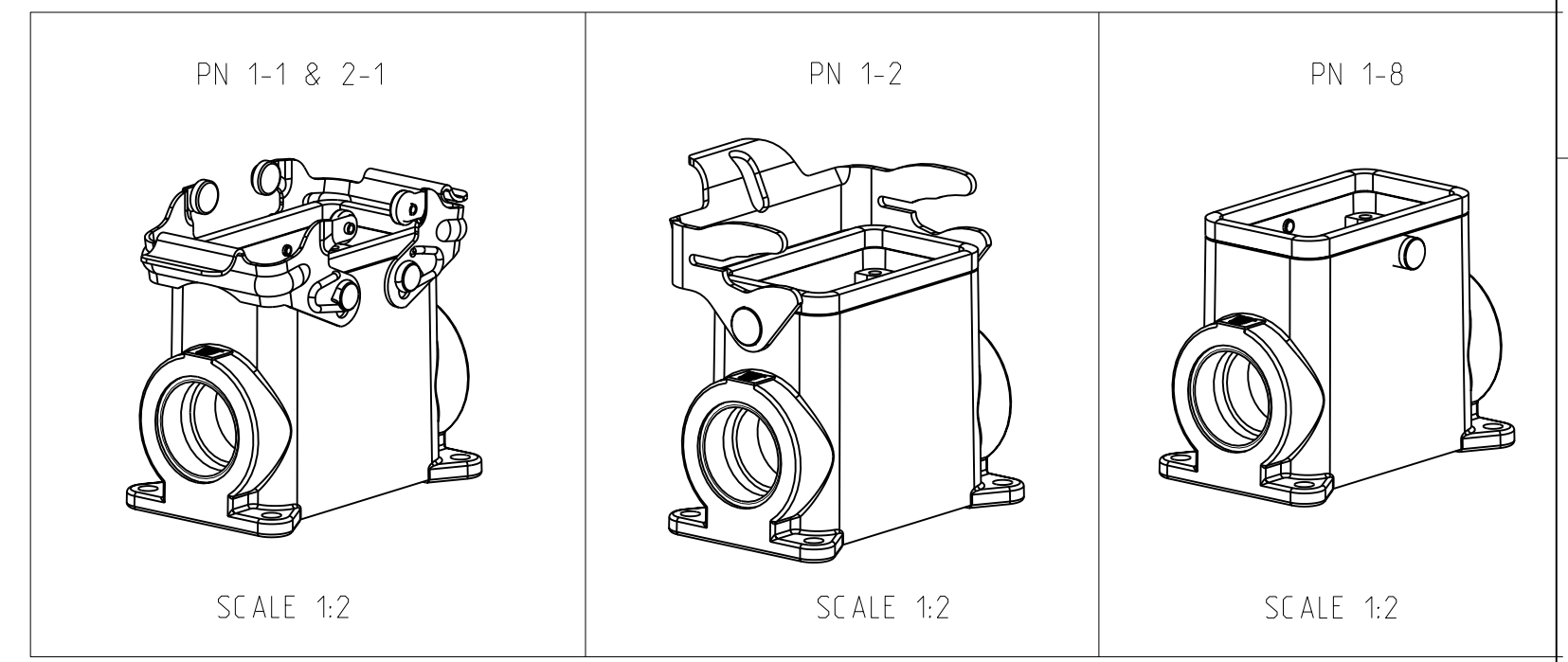


PN 1-8



NOTES.

- Material:Housing:Aluminium Diecasting Alloy
Seals:Neoprene
- Surface:Varnish grey
-Aluminium Oxide +Varnish Black
- Varnish on the inside not necessary
- Packaging
Quantity 5 Pieces in a box



OBSOLETE						
QTY	DESCRIPTION	MATERIAL	SURFACE	COLOR	ITEM NO	REMARKS
2	ZB-Clip bolt	Steel	Zinc plated	Blue	7	
2	VS-Clip positioner	Stainless steel	Blank	Blue	6	
2	VS-Clip positioner	Steel	Zinc plated	Blue	5	
1	LB-Side clip	Steel	Zinc plated	Blue	4	
1	Profile seal	Neoprene		Black	3	
1	Surface mounted housing side entry HD-K	Aluminium	Aluminium oxide	Black	2	
1	Surface mounted housing side entry HD-K	Aluminium		Grey	1	
1-8	DESCRIPTION	MATERIAL	SURFACE	COLOR	ITEM NO	REMARKS
ORDERING TEXT						
HD-24-SG-VS-1.21.Z						
HD-K-24-SG-VS-1.21.Z						
HD-24-SG-LB-1.21.Z						
HD-Z-24-SG-ZVGR-1.21.Z						

DIMENSIONS: mm		TOLERANCES UNLESS OTHERWISE SPECIFIED: ±0.10 mm		DWN: Schneider 21.08.03		DATE: 21.08.03		NAME: TE Connectivity	
MATERIAL: FINISH		APVD: Schneider		PRODUCT SPEC		APPLICATION SPEC		WEIGHT	
CUSTOMER DRAWING		SCALE: 1:1		SHEET: 1 OF 1		REV: A4		RESTRICTED TO	