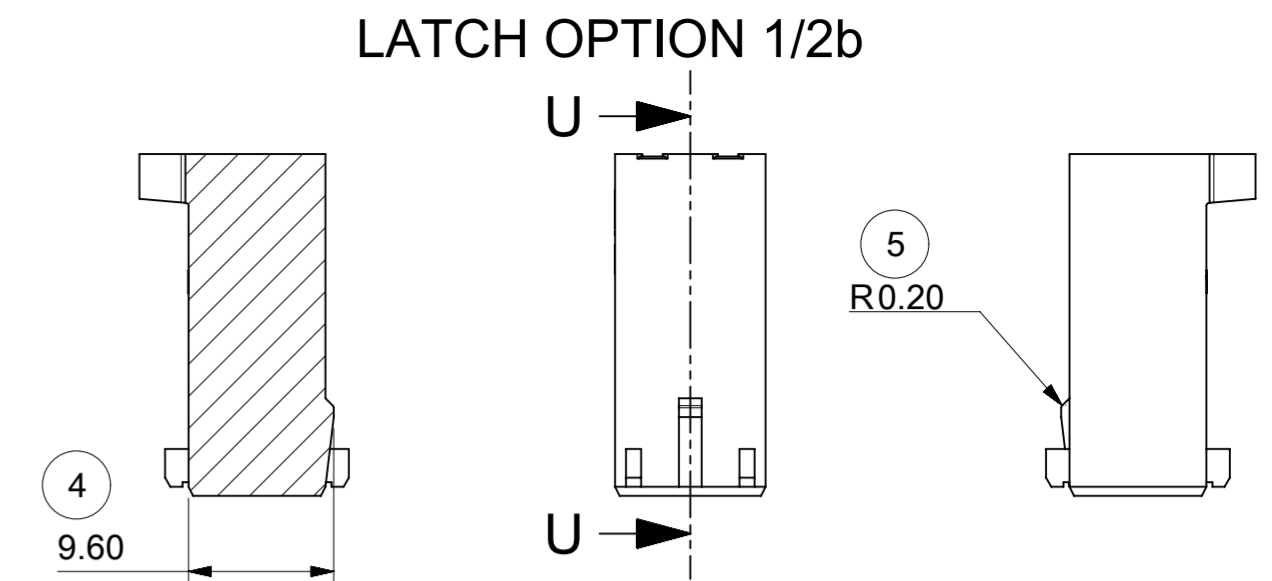
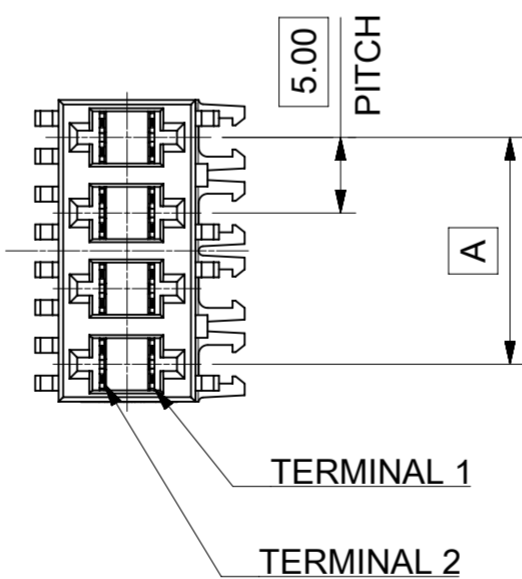
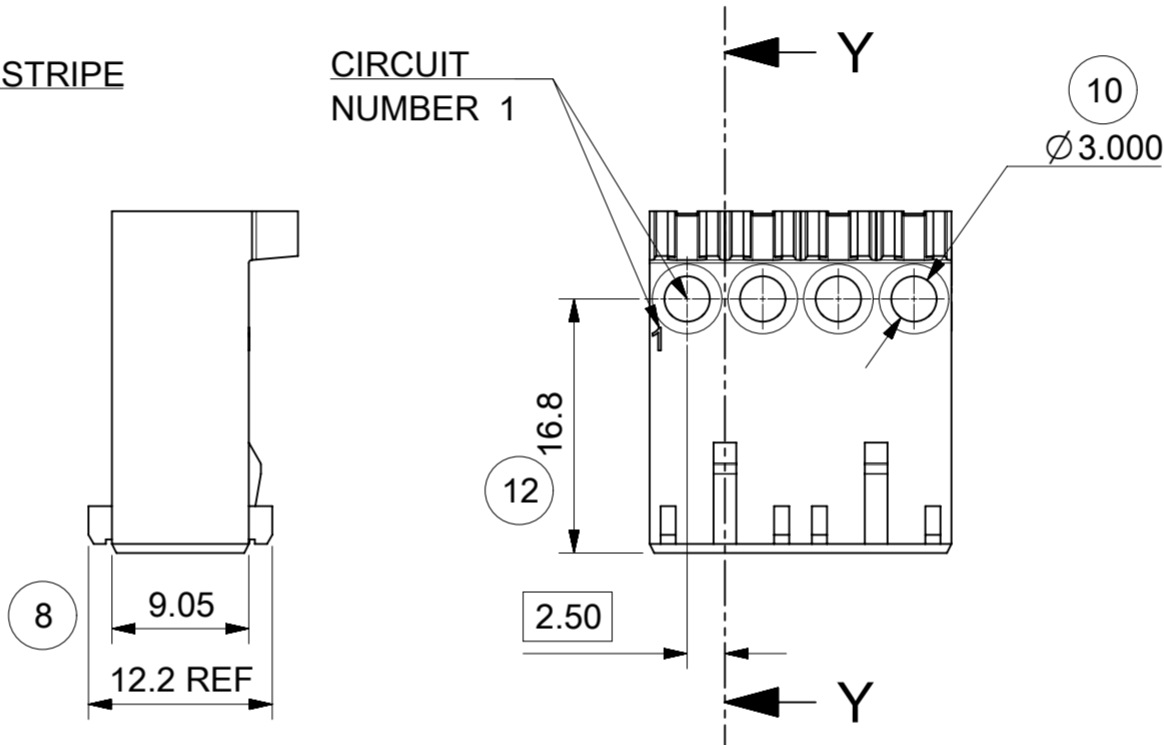
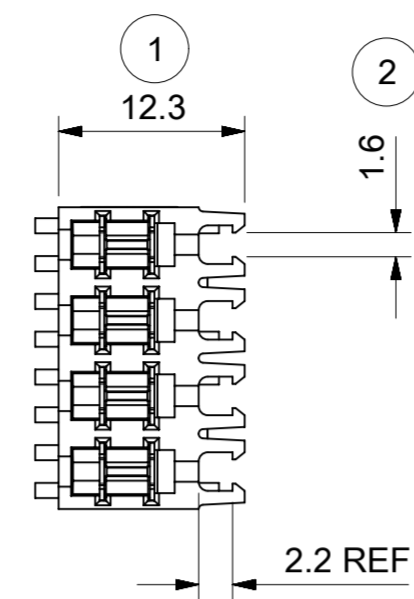
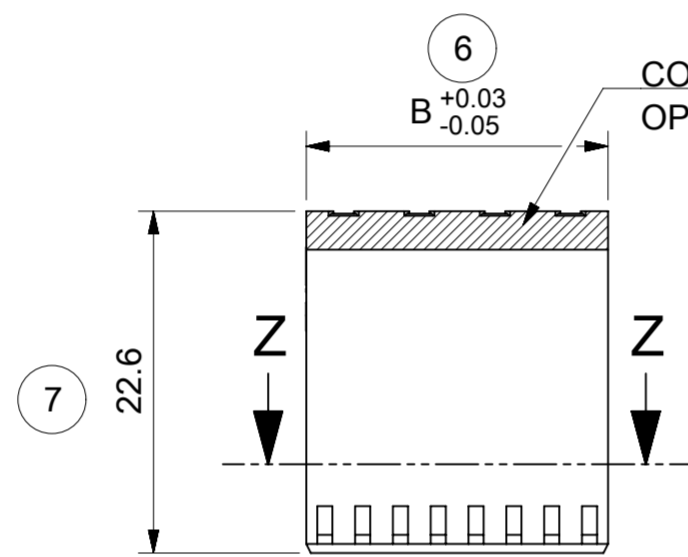
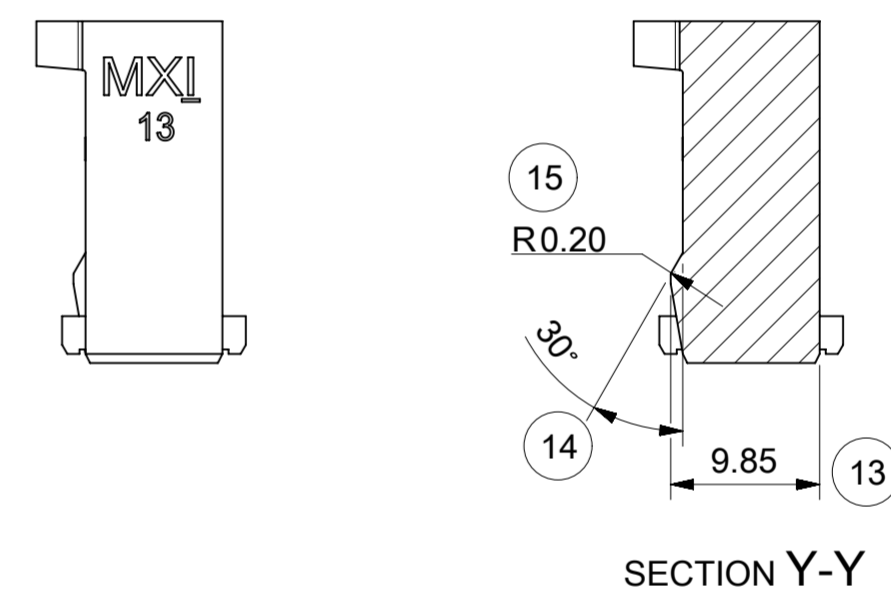


CKT SIZE	A	B
2	5.00	9.95
3	10.00	14.95
4	15.00	19.95



SECTION U-U

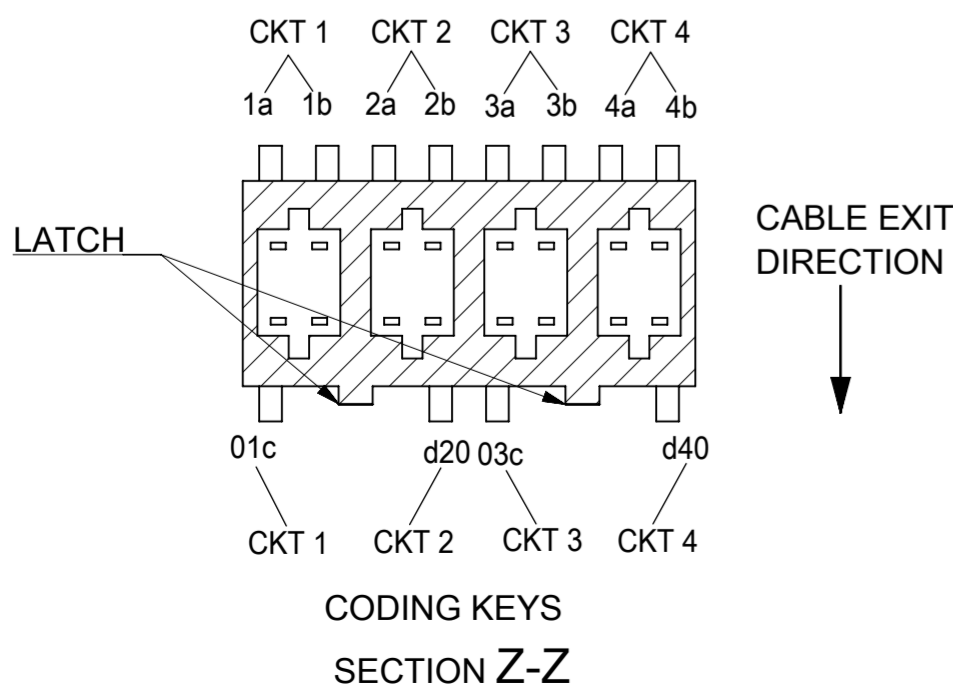
NOTES:  
 1. LATCH CAN BE BETWEEN ANY 2 CKTS SEE FOLLOWING SHEETS FOR LATCHING OPTIONS  
 2. EXAMPLE SHOWN 93244-0127



NOTES:  
 1. MATERIALS  
 HOUSING: PA 6, UL94 V-2  
 COLOUR: NATURAL  
 TERMINALS: COPPER ALLOY, 0.40 THICK REF.  
 PLATING: TIN (Sn)=93054-0006: 5um/MIN PURE Sn IN CONTACT AREA  
 2. PRODUCT CONFORMS TO SPECIFICATION PS-93244-001  
 3. ACCEPTS CABLE, SEE APPLICATION SPECIFICATION AS-93055-001  
 4. SEE SUBSEQUENT SHEETS FOR PART NUMBERS SHOWING THE VARIOUS PLATING, CODING, KEYING AND LATCHING OPTIONS SEE SHEETS 2 to 6 FOR DETAILS  
 5. SEE PK-93055-001 FOR PACKAGING INFORMATION

LAST INSPECTION NUMBER: 15

KEYING, CODING & LATCH IDENTIFICATION VIEWED IN MATING DIRECTION



THIS DRAWING CONTAINS INFORMATION THAT IS PROPRIETARY TO MOLEX ELECTRONIC TECHNOLOGIES, LLC AND SHOULD NOT BE USED WITHOUT WRITTEN PERMISSION									
DIMENSION UNITS: mm		SCALE: 10:1		CURRENT REV DESC: MXI LOGO UPDATED					
GENERAL TOLERANCES (UNLESS SPECIFIED)				<b>molex</b> R5 CONNECTOR SYSTEM INDIRECT CONNECTOR PRODUCT CUSTOMER DRAWING					
ANGULAR TOL ± 2.0°									
4 PLACES ±									
3 PLACES ± 0.05									
2 PLACES ± 0.1									
1 PLACE ± 0.2				EC NO: 620267		2019/07/08		DRWN: AKABADI	
0 PLACES ±				CHK'D: TCLEARY		2019/08/08		APPR: DRYAN	
DRAFT WHERE APPLICABLE MUST REMAIN WITHIN DIMENSIONS				THIRD ANGLE PROJECTION		DRAWING: A2-SIZE		SERIES: 93244	
DOCUMENT STATUS: P1		RELEASE DATE: 2019/08/18 22:21:39		INITIAL REVISION:		2018/06/27		2018/12/31	
DOCUMENT NUMBER: 932440001				DOC TYPE: PSD		DOC PART: 000		REVISION: B	
MATERIAL NUMBER: SEE CHARTS				CUSTOMER:		SHEET NUMBER: 1 OF 6			

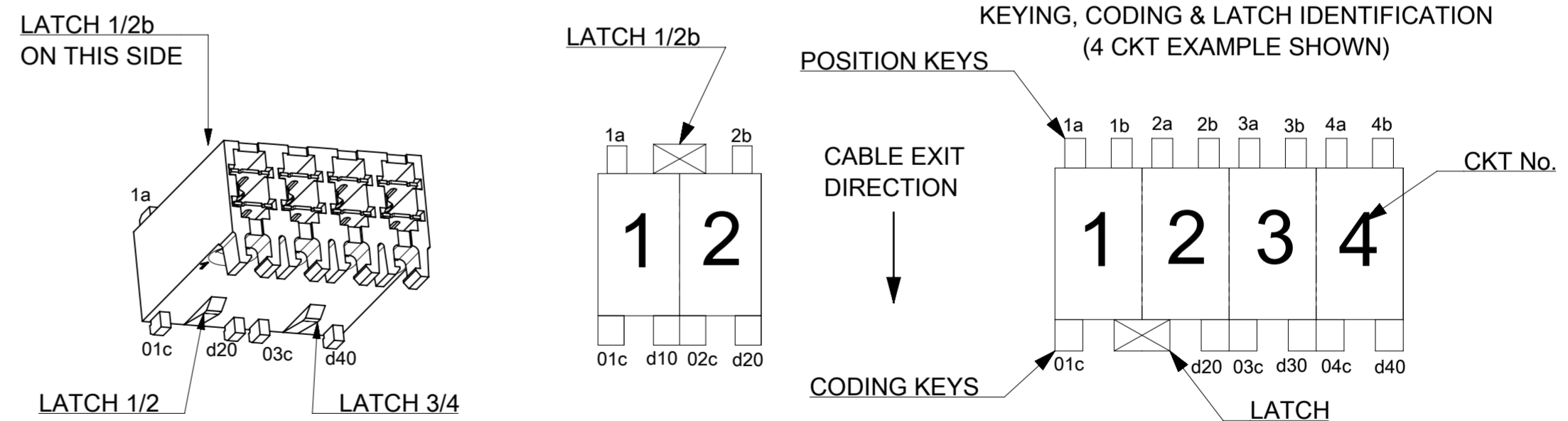
# 2 CIRCUIT

MOLEX PART No.	HOUSING PART No.	COLOUR	POSITION KEYS	CODING KEYS	LATCH POSITION	CONFIGURATION	REF	COLOUR STRIPE	PLATING
93244-0101	93245-9021	NATURAL	1a 1b 2a 2b	01c d20	1/2		K00	NONE	Sn
93244-0102	PART OBSOLETE AND REPLACED WITH 93395-0102		1b 2a	01c d20	1/2		K01	NONE	Ag
93244-0103	93245-9021	NATURAL	1a 2b	01c	1/2		K02	NONE	Sn
93244-0104	93245-9021	NATURAL	2a	01c d20	1/2		K03	NONE	Sn
93244-0105	PART OBSOLETE AND REPLACED WITH 93395-0105		1a 2b	d20	1/2		K05	NONE	Ag
93244-0106	93245-9021	NATURAL	1b 2b	01c	1/2		K09	NONE	Sn
93244-0107	93245-9021	NATURAL	1a 2a	01c	1/2		K10	NONE	Sn
93244-0108	93245-9021	NATURAL	2b	01c d20	1/2		K15	NONE	Sn
93244-0109	93245-9021	NATURAL	1a 1b	01c d20	1/2		K47	NONE	Sn
93244-0110	93245-9021	NATURAL	2b	NONE	1/2		K11	NONE	Sn
93244-0111	93245-9021	NATURAL	1a 1b	01c	1/2		K04	NONE	Sn
93244-0112	93245-9021	NATURAL	1a	01c d20	1/2		K12	NONE	Sn
93244-0113	93245-9021	NATURAL	1b 2a	01c	1/2		K14	NONE	Sn
93244-0114	93245-9021	NATURAL	1a 1b 2a 2b	01c	1/2		K33	NONE	Sn
93244-0115	93245-9021	NATURAL	1a 1b	01c	1/2		K04	NONE	Sn
93244-0116	93245-9021	NATURAL	1b	01c d20	1/2		K16	NONE	Sn
93244-0117	93245-9021	NATURAL	1a 2b	NONE	1/2		K06	NONE	Sn
93244-0118	93245-9021	NATURAL	2b	d20	1/2		K38	NONE	Sn

# 2 CIRCUIT

MOLEX PART No.	HOUSING PART No.	COLOUR	POSITION KEYS	CODING KEYS	LATCH POSITION	CONFIGURATION	REF	COLOUR STRIPE	PLATING
93244-0119	93245-9021	NATURAL	1a 2a	01c d20	1/2		K44	NONE	Sn
93244-0120	93245-9021	NATURAL	1b 2a 2b	d20	1/2		K07	NONE	Sn
93244-0121	93245-9021	NATURAL	1a 1b 2a 2b	d20	1/2		K34	NONE	Sn
93244-0122	93245-9021	NATURAL	1a 2b	d20	1/2		K05	BLACK	Sn
93244-0123	93245-9021	NATURAL	NONE	01c d20	1/2		K54	RED	Sn
93244-0124	93245-9025	NATURAL	1b 2a	01c	NONE		K--	NONE	Sn
93244-0125	93245-9021	NATURAL	2a	01c	1/2		K--	NONE	Sn
93244-0126	PART OBSOLETE AND REPLACED WITH 93395-0126		1a 2b	01c d20	1/2		K48	NONE	Ag
93244-0127	93245-9024	NATURAL	1a 2b	01c d10 02c d20	1/2b		K--	NONE	Sn
93244-0128	93245-9024	NATURAL	1a	01c d20	1/2b		K--	NONE	Sn

TABLE CONTINUED ON NEXT SHEET



THIS DRAWING CONTAINS INFORMATION THAT IS PROPRIETARY TO MOLEX ELECTRONIC TECHNOLOGIES, LLC AND SHOULD NOT BE USED WITHOUT WRITTEN PERMISSION

DIMENSION UNITS	SCALE	CURRENT REV DESC: MXI LOGO UPDATED	
mm	1:1		
GENERAL TOLERANCES (UNLESS SPECIFIED)			
ANGULAR TOL	± 2.0°		
4 PLACES	±	EC NO: 620267	2019/07/08
3 PLACES	± 0.05	DRWN: AKABADI	2019/08/08
2 PLACES	± 0.1	CHK'D: TCLEARY	2019/08/18
1 PLACE	± 0.2	APPR: DRYAN	2019/08/18
0 PLACES	±	INITIAL REVISION:	
DRAFT WHERE APPLICABLE MUST REMAIN WITHIN DIMENSIONS		DRWN: AKABADI	2018/06/27
THIRD ANGLE PROJECTION		APPR: DRYAN	2018/12/31
DRAWING		SERIES	MATERIAL NUMBER
A2-SIZE		93244	SEE CHARTS
CUSTOMER		SHEET NUMBER	
		2 OF 6	

**molex**

R5 CONNECTOR SYSTEM INDIRECT CONNECTOR

PRODUCT CUSTOMER DRAWING

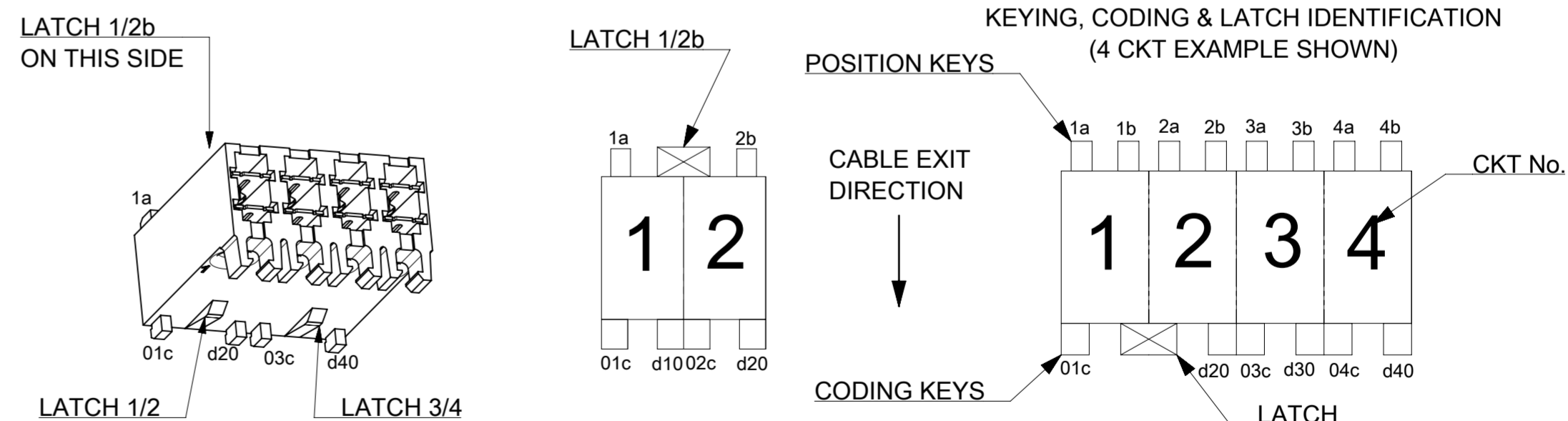
DOCUMENT NUMBER	DOC TYPE	DOC PART	REVISION
932440001	PSD	000	B

# 2 CIRCUIT

MOLEX PART No.	HOUSING PART No.	COLOUR	POSITION KEYS	CODING KEYS	LATCH POSITION	CONFIGURATION	REF	COLOUR STRIPE	PLATING
93244-0130	93245-9024	NATURAL	1a 2b	01c d20	1/2b		K--	NONE	Sn
93244-0131	93245-9024	NATURAL	1a 2b	d10 02c	1/2b		K--	NONE	Sn
93244-0133	PART OBSOLETE AND REPLACED WITH 93395-0133		1b 2a	d20	1/2		K--	BLUE	Ag
93244-0134	PART OBSOLETE AND REPLACED WITH 93395-0134		1a 2b	d20	1/2		K--	GREEN	Ag
93244-0135	PART OBSOLETE AND REPLACED WITH 93395-0135		2a	01c d20	1/2		K--	BLACK	Ag
93244-0136	93245-9021	NATURAL	1b 2a	01c d20	1/2		K--	NONE	Sn
93244-0137	93245-9021	NATURAL	NONE	01c	1/2		K--	NONE	Sn
93244-0138	93245-9024	NATURAL	1a	d20	1/2b		K--	NONE	Sn
93244-0139	93245-9024	NATURAL	1a	02c	1/2b		K--	NONE	Sn
93244-0140	93245-9021	NATURAL	1a	d20	1/2		K--	NONE	Sn
93244-0141	93245-9025	NATURAL	1a 2b	d10 02c	NONE		K--	NONE	Sn
93244-0142	93245-9021	NATURAL	NONE	NONE	1/2		K--	NONE	Sn
93244-0143	93245-9021	NATURAL	1a	d20	1/2		K--	NONE	Sn
93244-0144	93245-9021	NATURAL	1b	d20	1/2		K--	NONE	Sn
93244-0145	93245-9024	NATURAL	NONE	01c d20	1/2b		K--	NONE	Sn
93244-0146	93245-9024	NATURAL	2b	NONE	1/2b		K--	NONE	Sn
93244-0147	93245-9021	NATURAL	1a 2b	d20	1/2		K--	NONE	Sn

# 2 CIRCUIT

MOLEX PART No.	HOUSING PART No.	COLOUR	POSITION KEYS	CODING KEYS	LATCH POSITION	CONFIGURATION	REF	COLOUR STRIPE	PLATING
93244-0148	93245-9024	NATURAL	1a 2b	01c 02c d20	1/2b		K62	NONE	Sn
93244-0149	93245-9024	NATURAL	NONE	02c	1/2b		K--	NONE	Sn
93244-0150	93245-9024	NATURAL	1a 2b	d20	1/2b		K12	NONE	Sn
93244-0151	93245-9024	NATURAL	1a 2b	01c 02c	1/2b		K--	NONE	Sn
93244-0152	93245-9024	NATURAL	1a 2b	NONE	1/2b		K54	NONE	Sn
93244-0153	93245-9024	NATURAL	NONE	01c d10	1/2b		K--	NONE	Sn



THIS DRAWING CONTAINS INFORMATION THAT IS PROPRIETARY TO MOLEX ELECTRONIC TECHNOLOGIES, LLC AND SHOULD NOT BE USED WITHOUT WRITTEN PERMISSION

DIMENSION UNITS: mm	SCALE: 1:1	CURRENT REV DESC: MXI LOGO UPDATED	
GENERAL TOLERANCES (UNLESS SPECIFIED)		EC NO: 620267	
ANGULAR TOL ± 2.0°	4 PLACES ±	DRWN: AKABADI	2019/07/08
3 PLACES ± 0.05	2 PLACES ± 0.1	CHK'D: TCLEARY	2019/08/08
1 PLACE ± 0.2	0 PLACES ±	APPR: DRYAN	2019/08/18
DRAFT WHERE APPLICABLE MUST REMAIN WITHIN DIMENSIONS		INITIAL REVISION:	
THIRD ANGLE PROJECTION		DRWN: AKABADI	2018/06/27
DRAWING: A2-SIZE		APPR: DRYAN	2018/12/31
SERIES: 93244		DOCUMENT NUMBER: 932440001	
MATERIAL NUMBER: SEE CHARTS		DOC TYPE: PSD	DOC PART: 000
CUSTOMER: SHEET NUMBER: 3 OF 6		REVISION: B	

**molex**

R5 CONNECTOR SYSTEM INDIRECT CONNECTOR

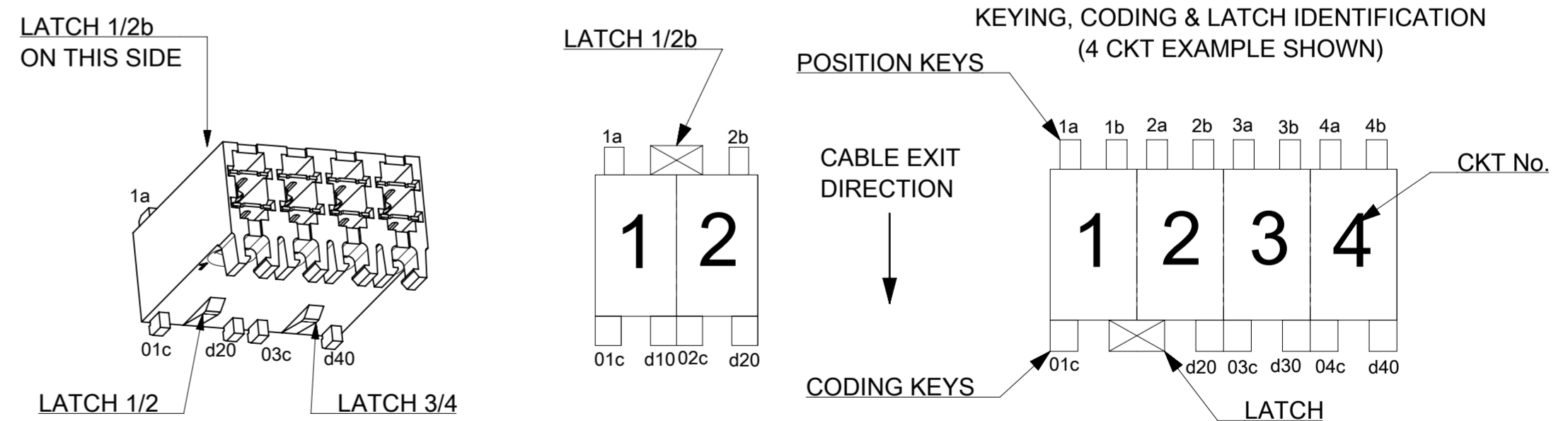
PRODUCT CUSTOMER DRAWING

# 3 CIRCUIT

MOLEX PART No.	HOUSING PART No.	COLOUR	POSITION KEYS	CODING KEYS	LATCH POSITION	CONFIGURATION	REF	COLOUR STRIPE	PLATING
93244-0201	93245-9031	NATURAL	1a 1b 2a 2b 3a 3b	01c d20 03c d30	1/2		K00	NONE	Sn
93244-0202	93245-9032	NATURAL	1a 1b 2a 2b 3a 3b	01c d10 02c d30	2/3		K90	NONE	Sn
93244-0203	PART OBSOLETE AND REPLACED WITH 93395-0203		1b	01c d20	1/2		K01	NONE	Ag
93244-0204	93245-9031	NATURAL	1a	03c	1/2		K04	NONE	Sn
93244-0205	93245-9031	NATURAL	1a 1b	d30	1/2		K05	NONE	Sn
93244-0206	93245-9031	NATURAL	1b 2a 2b	d30	1/2		K33	NONE	Sn
93244-0207	93245-9032	NATURAL	1a 1b 2a 2b 3a 3b	d10 d30	2/3		K38	NONE	Sn
93244-0208	93245-9031	NATURAL	1a 3a	01c	1/2		K07	NONE	Sn
93244-0209	93245-9031	NATURAL	1b 3a	01c	1/2		K03	NONE	Sn
93244-0210	93245-9032	NATURAL	2a	02c d30	2/3		K57	NONE	Sn
93244-0211	93245-9031	NATURAL	2b	d20	1/2		K08	NONE	Sn
93244-0212	93245-9031	NATURAL	1b	d20 03c	1/2		K09	NONE	Sn
93244-0213	93245-9032	NATURAL	1a 1b 2a 3a	01c 02c d30	2/3		K12	NONE	Sn
93244-0214	93245-9032	NATURAL	1a 2a	d30	2/3		K--	NONE	Sn
93244-0215	93245-9032	NATURAL	2a	d10 d30	2/3		K44	NONE	Sn
93244-0216	93245-9031	NATURAL	3b	01c d30	1/2		K37	NONE	Sn
93244-0217	93245-9032	NATURAL	2b 3b	d10 02c	2/3		K02	NONE	Sn
93244-0218	PART OBSOLETE AND REPLACED WITH 93395-0218		2a	d10 02c d30	2/3		K**	NONE	Ag
93244-0219	93245-9031	NATURAL	1a	01c d20 03c	1/2		K**	NONE	Sn
93244-0220	93245-9031	NATURAL	1b 2a	01c d20	1/2		K**	NONE	Sn
93244-0221	93245-9032	NATURAL	2a	01c d10 02c d30	2/3		K**	NONE	Sn
93244-0222	93245-9038	NATURAL	1a 2b 3a 3b	d20	NONE		K**	NONE	Sn

# 3 CIRCUIT

MOLEX PART No.	HOUSING PART No.	COLOUR	POSITION KEYS	CODING KEYS	LATCH POSITION	CONFIGURATION	REF	COLOUR STRIPE	PLATING
93244-0223	93245-9031	NATURAL	1a	NONE	1/2		K**	NONE	Sn
93244-0224	PART OBSOLETE AND REPLACED WITH 93395-0224		2a 3b	d30	2/3b		K--	NONE	Ag
93244-0225	93245-9036	NATURAL	1a 2b	01c	1/2b		K--	NONE	Sn
93244-0226	93245-9037	NATURAL	2a 3b	03c	2/3b		K--	RED	Sn
93244-0227	PART OBSOLETE AND REPLACED WITH 93395-0227		1a 1b 2a 2b 3a 3b	01c d20 03c d30	1/2		K00	NONE	Ag
93244-0228	93245-9032	NATURAL	2b 3b	d10 02c	2/3		K--	NONE	Sn
93244-0229	PART OBSOLETE AND REPLACED WITH 93395-0229		2b 3b	01c d10 02c d30	2/3		K--	BLUE	Ag
93244-0230	PART OBSOLETE AND REPLACED WITH 93395-0230		2a	NONE	2/3		K--	BLACK	Ag
93244-0231	PART OBSOLETE AND REPLACED WITH 93395-0231		2b 3b	01c d30	2/3		K--	BLUE	Ag
93244-0232	PART OBSOLETE AND REPLACED WITH 93395-0232		1b	01c d20 03c	1/2		K--	BROWN	Ag
93244-0233	93245-9038	NATURAL	1b	01c d20	NONE		K--	NONE	Sn
93244-0234	93245-9031	NATURAL	1a 1b 2a 2b 3a 3b	01c d20 03c d30	1/2		K--	NONE	Sn
93244-0235	93045-9031	NATURAL	1a	01c d20	1/2		K--	NONE	Sn



THIS DRAWING CONTAINS INFORMATION THAT IS PROPRIETARY TO MOLEX ELECTRONIC TECHNOLOGIES, LLC AND SHOULD NOT BE USED WITHOUT WRITTEN PERMISSION

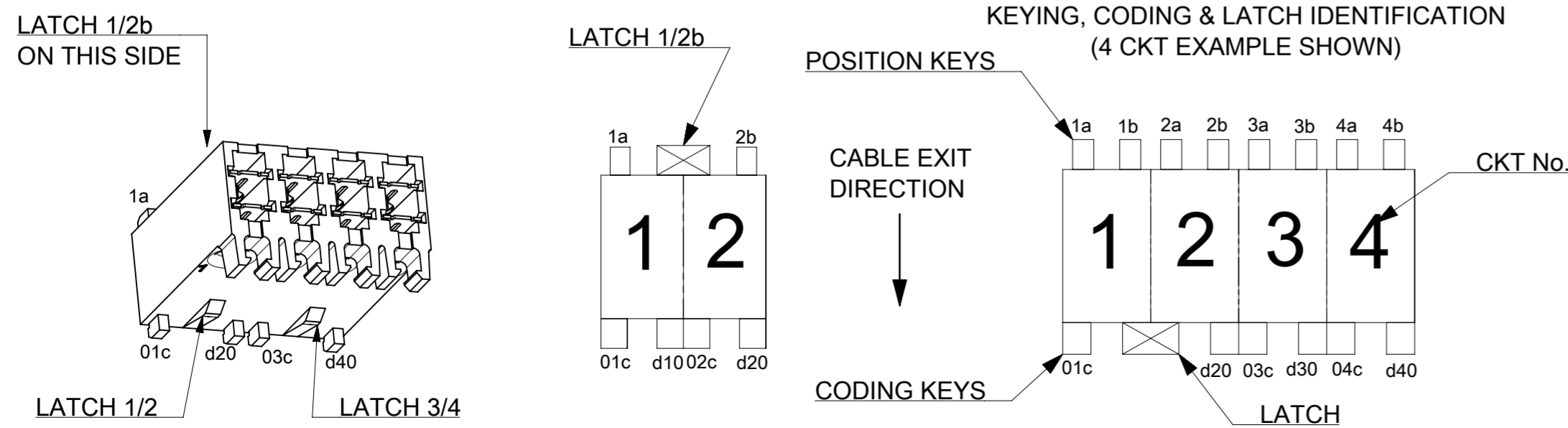
DIMENSION UNITS <b>mm</b>	SCALE <b>1:1</b>	CURRENT REV DESC: MXI LOGO UPDATED				
GENERAL TOLERANCES (UNLESS SPECIFIED)						
ANGULAR TOL	± 2.0°			EC NO: 620267		
4 PLACES	±			DRWN: AKABADI 2019/07/08		
3 PLACES	± 0.05			CHK'D: TCLEARY 2019/08/08		
2 PLACES	± 0.1			APPR: DRYAN 2019/08/18		
1 PLACE	± 0.2			INITIAL REVISION:		
0 PLACES	±	DRWN: AKABADI 2018/06/27	<b>R5 CONNECTOR SYSTEM INDIRECT CONNECTOR</b>			
DRAFT WHERE APPLICABLE MUST REMAIN WITHIN DIMENSIONS		APPR: DRYAN 2018/12/31		<b>PRODUCT CUSTOMER DRAWING</b>		
THIRD ANGLE PROJECTION	DRAWING	SERIES	DOCUMENT NUMBER	DOC TYPE	DOC PART	REVISION
	<b>A2-SIZE</b>	<b>93244</b>	<b>932440001</b>	PSD	000	<b>B</b>
MATERIAL NUMBER		CUSTOMER		SHEET NUMBER		
SEE CHARTS				4 OF 6		

# 3 CIRCUIT

MOLEX PART No.	HOUSING PART No.	COLOUR	POSITION KEYS	CODING KEYS	LATCH POSITION	CONFIGURATION	REF	COLOUR STRIPE	PLATING
93244-0236	93045-9031	NATURAL	1b 3b	d20	1/2		K147	NONE	Sn
93244-0237	93045-9031	NATURAL	1b	01c d20	1/2		K01	NONE	Sn
93244-0238	93245-9036	NATURAL	1a 3b	01c	1/2b		K--	NONE	Sn
93244-0239	93245-9036	NATURAL	1a 2b 3a	NONE	1/2b		K--	NONE	Sn
93244-0240	93245-9036	NATURAL	NONE	02c d20	1/2b		K--	NONE	Sn

# 4 CIRCUIT

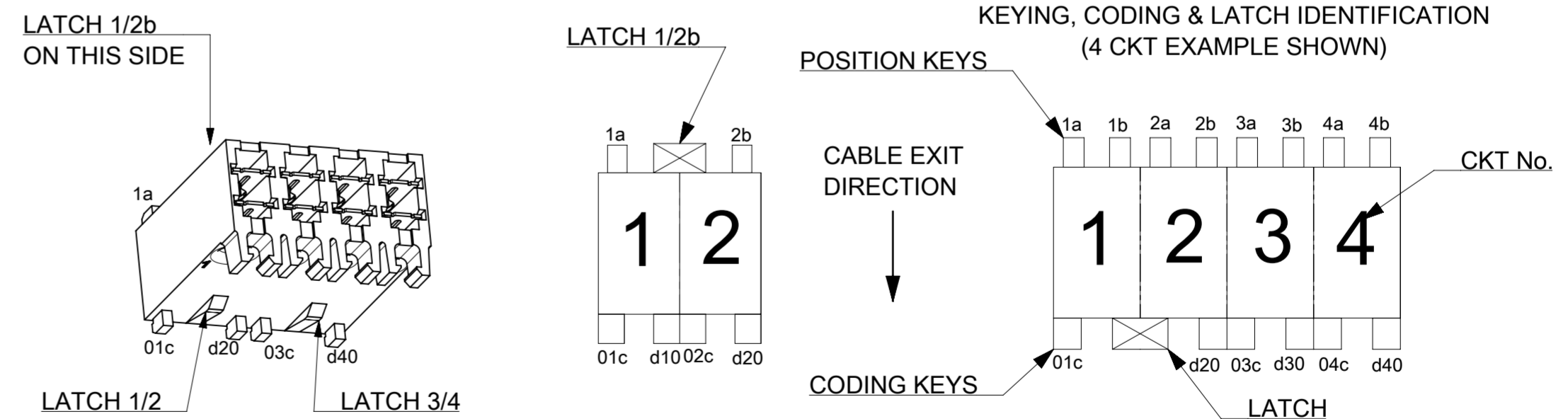
MOLEX PART No.	HOUSING PART No.	COLOUR	POSITION KEYS	CODING KEYS	LATCH POSITION	CONFIGURATION	REF	COLOUR STRIPE	PLATING
93244-0301	93245-9041	NATURAL	1a 1b 2a 2b 3a 3b 4a 4b	01c d20 03c d40	1/2 3/4		K00	NONE	Sn
93244-0302	93245-9041	NATURAL	1b	03c d40	1/2 3/4		K01	NONE	Sn
93244-0303	93245-9041	NATURAL	1a 1b 2a 2b 3a 3b 4a 4b	d20 03c	1/2 3/4		K35	NONE	Sn
93244-0304	93245-9041	NATURAL	1b	d20 03c	1/2 3/4		K38	NONE	Sn
93244-0305	93245-9041	NATURAL	1a 4b	d40	1/2 3/4		K03	NONE	Sn
93244-0306	93245-9041	NATURAL	1a 3a 3b	01c d20 d40	1/2 3/4		K32	NONE	Sn
93244-0307	93245-9041	NATURAL	1b 2a 3a 4b	01c d40	1/2 3/4		K37	NONE	Sn
93244-0308	93245-9041	NATURAL	1a 4b	01c	1/2 3/4		K02	NONE	Sn
93244-0309	93245-9042	NATURAL	3b	d30	2/3		K04	NONE	Sn
93244-0310	93245-9041	NATURAL	1a 1b 3a 3b	01c 03c	1/2 3/4		K93	NONE	Sn
93244-0311	93245-9041	NATURAL	1a 2a 4a	01c 03c d40	1/2 3/4		K43	NONE	Sn
93244-0312	93245-9041	NATURAL	1a 1b 3a 3b	01c d20 03c d40	1/2 3/4		K**	NONE	Sn
93244-0313	PART OBSOLETE AND REPLACED WITH 93395-0313		1a 1b 2b 3a 3b 4b	d20 d40	3/4		K**	NONE	Ag
93244-0314	PART OBSOLETE AND REPLACED WITH 93395-0314		1a 1b 2a 2b 3a 3b 4a 4b	01c d20 03c d40	1/2 3/4		K00	NONE	Ag
93244-0315	93245-9048	NATURAL	3a	NONE	3/4b		K--	NONE	Sn
93244-0316	93045-9044	NATURAL	3a 4b	d10	1/2b 3/4b		K--	NONE	Sn



THIS DRAWING CONTAINS INFORMATION THAT IS PROPRIETARY TO MOLEX ELECTRONIC TECHNOLOGIES, LLC AND SHOULD NOT BE USED WITHOUT WRITTEN PERMISSION													
DIMENSION UNITS <b>mm</b>		SCALE <b>1:1</b>		CURRENT REV DESC: MXI LOGO UPDATED									
GENERAL TOLERANCES (UNLESS SPECIFIED)				 R5 CONNECTOR SYSTEM INDIRECT CONNECTOR									
ANGULAR TOL ± 2.0°		4 PLACES ±								EC NO: 620267		2019/07/08	
3 PLACES ± 0.05		2 PLACES ± 0.1								DRWN: AKABADI		2019/08/08	
1 PLACE ± 0.2		0 PLACES ±								CHK'D: TCLEARY		2019/08/18	
DRAFT WHERE APPLICABLE MUST REMAIN WITHIN DIMENSIONS		THIRD ANGLE PROJECTION								DRAWING		SERIES	
DRAWING		A2-SIZE		93244		MATERIAL NUMBER		CUSTOMER					
SEE CHARTS		5 OF 6		DOCUMENT NUMBER		DOC TYPE		DOC PART					
932440001		PSD		000		B		REVISION					

# 5 CIRCUIT

MOLEX PART No.	HOUSING PART No.	COLOUR	POSITION KEYS	CODING KEYS	LATCH POSITION	CONFIGURATION	REF	COLOUR STRIPE	PLATING
93244-0401	93245-9051	NATURAL	1a 1b 2a 2b 3a 3b 4a 4b 5a 5b	01c d10 02c d40 05c d50	2/3 3/4		K00	NONE	Sn
93244-0402	93245-9050	NATURAL	1a 5b	01c d30	NONE		K--	NONE	Sn
93244-0403	93245-9052	NATURAL	1a 4a	d30	1/2 4/5		K--	NONE	Sn



THIS DRAWING CONTAINS INFORMATION THAT IS PROPRIETARY TO MOLEX ELECTRONIC TECHNOLOGIES, LLC AND SHOULD NOT BE USED WITHOUT WRITTEN PERMISSION															
DIMENSION UNITS		SCALE		CURRENT REV DESC: MXI LOGO UPDATED											
mm		1:1		<b>molex</b> R5 CONNECTOR SYSTEM INDIRECT CONNECTOR PRODUCT CUSTOMER DRAWING											
GENERAL TOLERANCES (UNLESS SPECIFIED)										EC NO: 620267					
ANGULAR TOL ± 2.0°										DRWN: AKABADI 2019/07/08					
4 PLACES ±										CHK'D: TCLEARY 2019/08/08					
3 PLACES ± 0.05										APPR: DRYAN 2019/08/18					
2 PLACES ± 0.1										INITIAL REVISION:					
1 PLACE ± 0.2				DRWN: AKABADI 2018/06/27											
0 PLACES ±				APPR: DRYAN 2018/12/31											
DRAFT WHERE APPLICABLE MUST REMAIN WITHIN DIMENSIONS		THIRD ANGLE PROJECTION		DRAWING		SERIES		MATERIAL NUMBER							
				A2-SIZE		93244		SEE CHARTS							
DOCUMENT NUMBER		DOC TYPE		DOC PART		REVISION									
932440001		PSD		000		B									
CUSTOMER		SHEET NUMBER													
		6 OF 6													

DOCUMENT STATUS	P1	RELEASE DATE	2019/08/18	22:21:39
-----------------	----	--------------	------------	----------