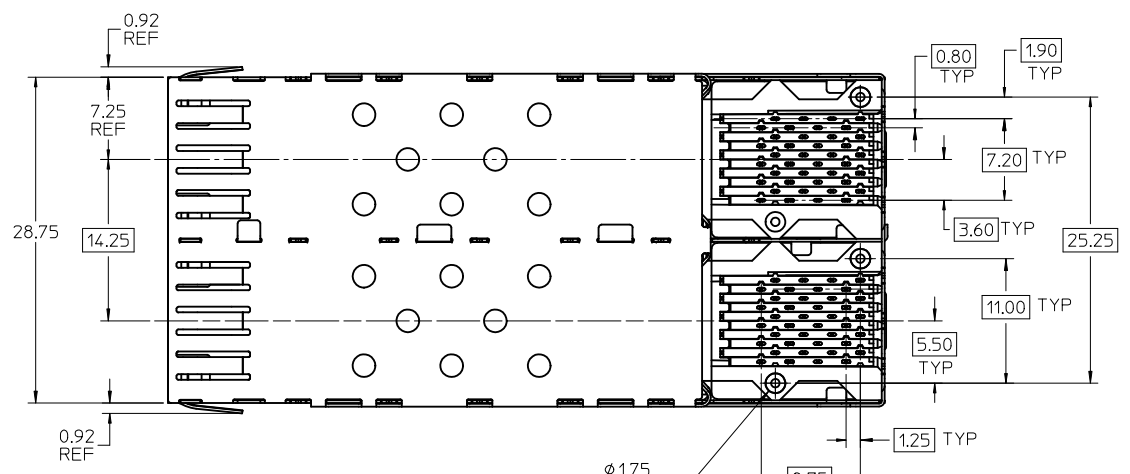
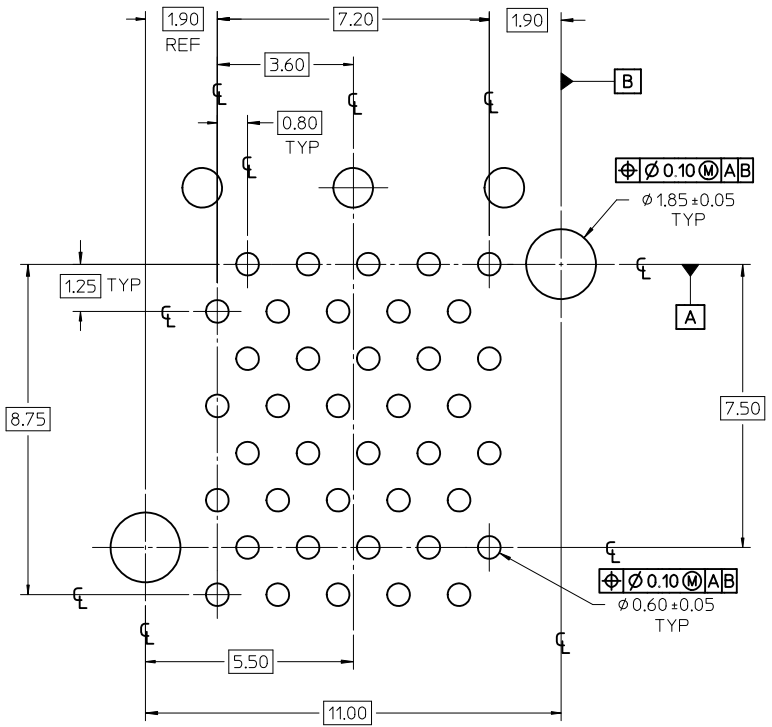


- NOTES:
1. MATERIAL:
    - CAGE: NICKEL SILVER, THICKNESS: 0.25mm
    - CONNECTOR HOUSING: GLASS FILLED HIGH TEMP PLASTIC, 94 V-0, COLOR: BLACK
    - OVERMOLDED TERMINAL HOUSING: GLASS FILLED HIGH TEMP PLASTIC, 94 V-0, COLOR: BLACK
    - TERMINALS: TIN BRASS
    - LIGHT PIPES: POLYCARBONITE, 94 V-0, COLOR: CLEAR
    - LIGHT PIPE HOUSING: ZINC
  2. FINISH:
    - LIGHT PIPE HOUSING: 150 MICROMETERS NICKEL OVER 150 MICROMETERS COPPER
    - TERMINALS: CONTACT AREA: 0.76 MICROMETERS MINIMUM HARD GOLD OVER 1.27 MICROMETERS NICKEL.
    - COMPLIANT TAIL: MATTE TIN-LEAD OPTION: 0.76 TO 1.52 MICROMETERS 90/10 MATTE TIN-LEAD OVER 0.76 TO 1.52 MICROMETERS NICKEL
    - COMPLIANT TAIL: MATTE TIN OPTION: 0.76 TO 1.52 MICROMETERS MATTE TIN OVER 0.76 TO 1.52 MICROMETERS NICKEL
  3. REFER TO PS-75310-001 PRODUCT SPEC FOR ALL ELECTRICAL, MECHANICAL AND ENVIRONMENTAL SPECIFICATIONS.
  4. LIGHT PIPE PAD LAYOUT IS FOR 0805 LOW-PROFILE LED PACKAGE, FOR OTHER RECOMMENDED LAYOUTS REFER TO MOLEX'S REPORT TS-75310-001.
  5. REFER TO PK-75714-001 FOR ALL PACKAGING SPECIFICATIONS.
  6. THE CURVED TAILS THAT GO INTO THE HOLES LOCATED BY THESE DIMENSIONS ARE BEING ELIMINATED. TO ACCOMMODATE THIS CONVERSION, IT IS RECOMMENDED THAT BOARDS DESIGNED TO THIS PRINT REVISION INCLUDE THESE HOLES.
  7. PART COMPLIES WITH COSMETIC SPECIFICATION PS-45499-002. SEE SHEET 3 SECTION Z-Z FOR SURFACE CLASSIFICATIONS. UNDERSIDE OF CAGE COMPLIES WITH CLASS "C".
  8. DATE CODE LOCATION IS SHOWN ABOVE.
    - DATE CODE FORMAT: DDDY MX A1
    - DDD = DAY OF THE YEAR
    - Y = YEAR      A = ALPHA CHARACTER - INDICATES MANUFACTURING LINE
    - MX = MOLEX    1 = NUMERIC CHARACTER - INDICATES PRODUCTION SHIFT

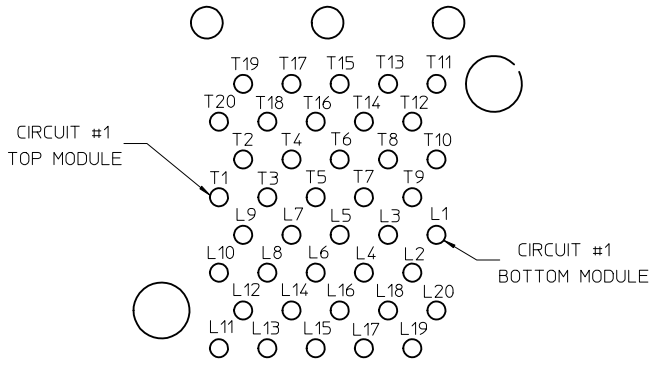


757595001	MATTE TIN
757590001	MATTE TIN-LEAD
MATERIAL NO.	TERMINAL PLATING

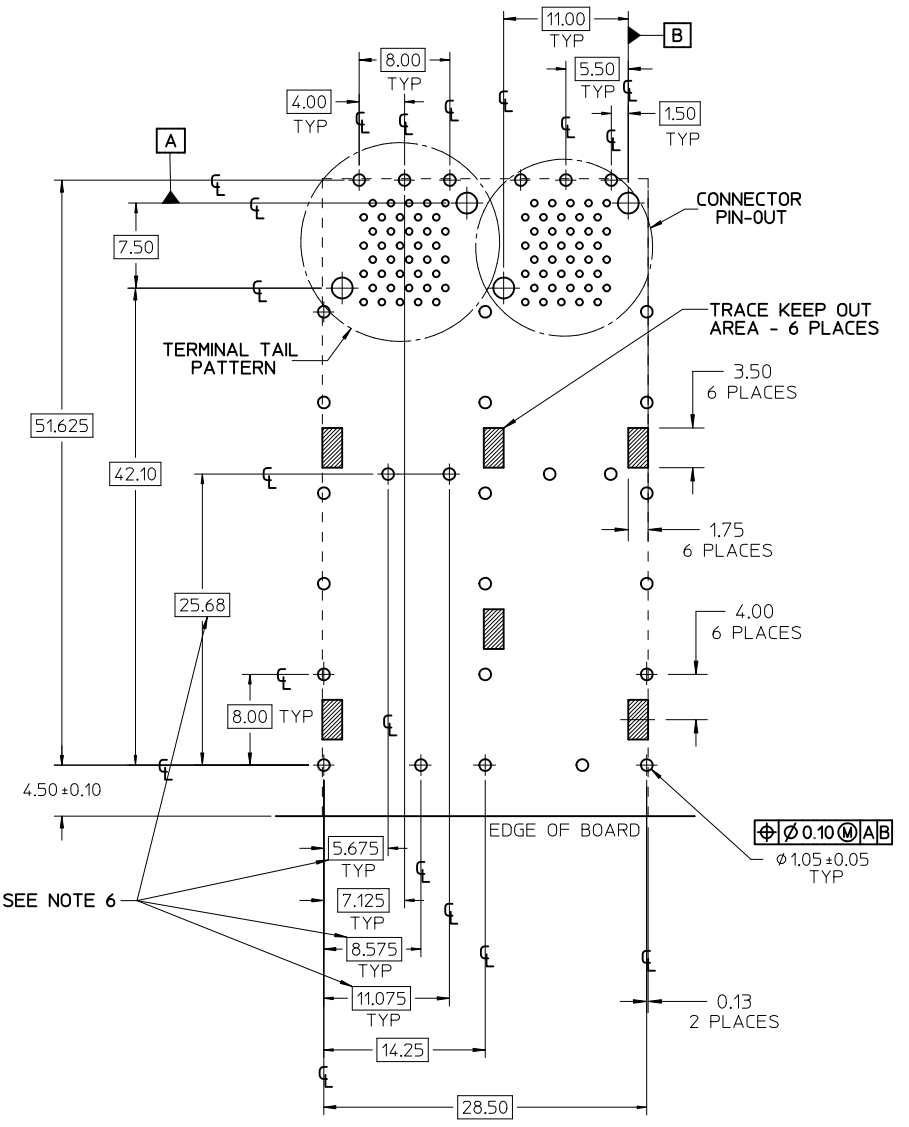
<b>CLARIFY 51.625 DIMNSN</b> EC NO: UCP2012-1572 DRWN:BBARKER 2011/11/15 CHKD: MILLER APPR: MILLER 2012/01/09	QUALITY SYMBOLS	GENERAL TOLERANCES (UNLESS SPECIFIED)	DIMENSION STYLE	SCALE	DESIGN UNITS	THIRD ANGLE PROJECTION
	▽=0	mm      INCH	MM ONLY	3:1	METRIC	
	▽=0	4 PLACES ± --- ± ---	DRAWN BY      DATE	STACKED SFP 2X2 MEDIUM HEIGHT ASS'Y, PRESS-FIT TAIL WITHOUT LIGHT PIPES		
	▽=0	3 PLACES ± --- ± ---	JL LONG      01-28-2005	MOLEX MOLEX INCORPORATED		
	2 PLACES ± 0.13 ± ---	CHECKED BY      DATE	SHEET NO. 1 OF 3			
	1 PLACE ± 0.25 ± ---	JL LONG      01-28-2005	APPROVED BY      DATE			
	ANGULAR ± 5 °	RNELSON      02-15-2005	MATERIAL NO.      DOCUMENT NO.			
			SEE TABLE			
			DRAFT WHERE APPLICABLE MUST REMAIN WITHIN DIMENSIONS			
			THIS DRAWING CONTAINS INFORMATION THAT IS PROPRIETARY TO MOLEX INCORPORATED AND SHOULD NOT BE USED WITHOUT WRITTEN PERMISSION			



TERMINAL TAIL PATTERN  
SCALE 10:1



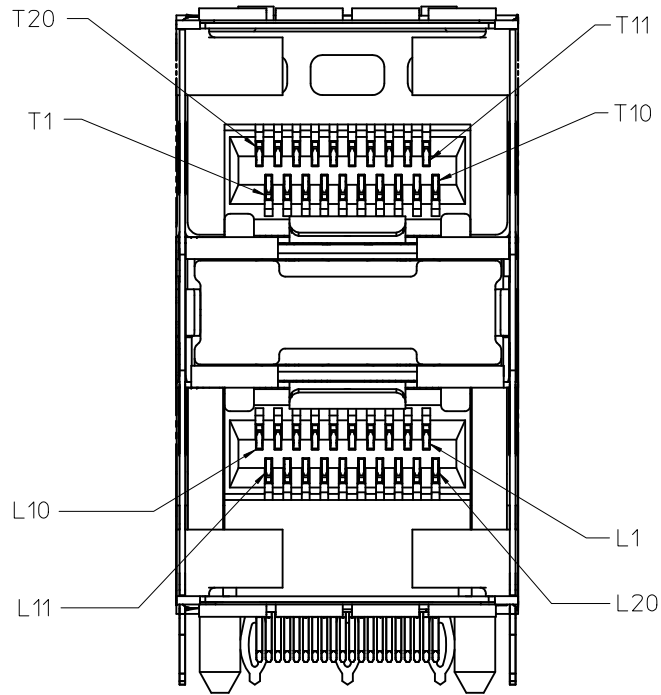
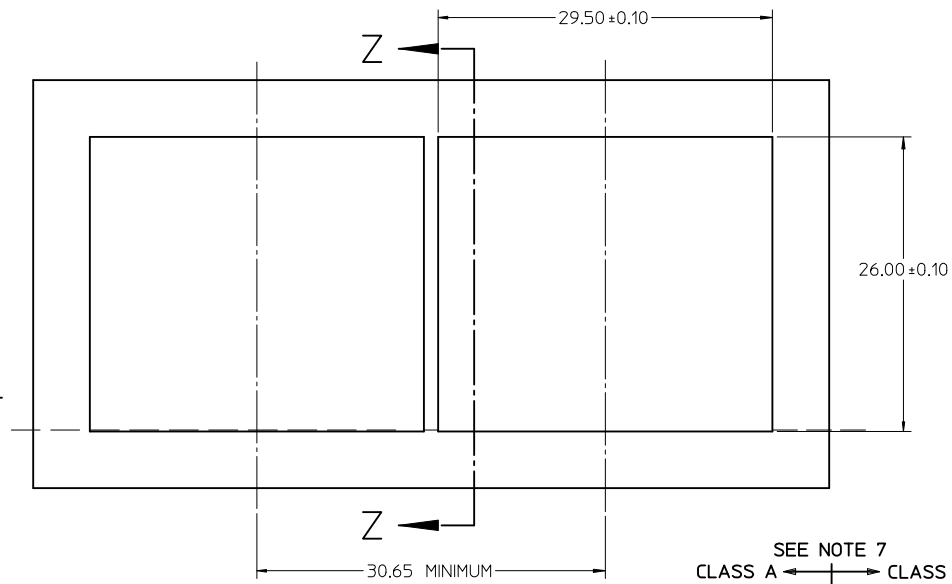
CONNECTOR PIN-OUT  
COMPONENT SIDE OF BOARD



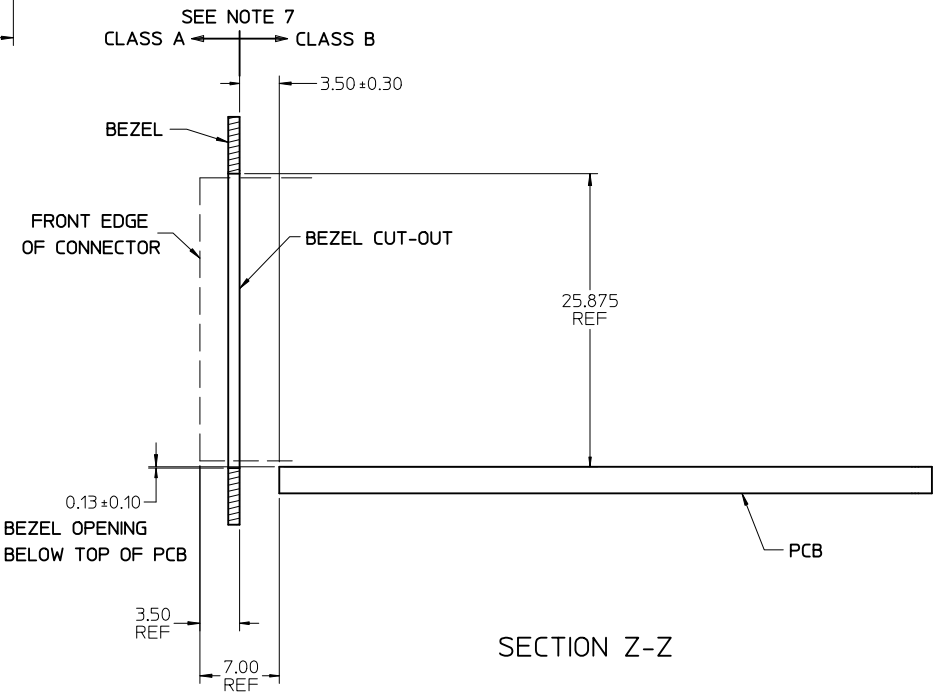
RECOMMENDED PCB LAYOUT - COMPONENT SIDE  
RECOMMENDED PCB THICKNESS - 2.36 MM (.093 INCH)  
THE ENTIRE AREA OF THE CONNECTOR FOOTPRINT  
TO BE CONSIDERED THE KEEP OUT AREA FOR COMPONENTS  
THIS AREA IS INDICATED BY THE DASHED LINE

SEE SHEET 1 IEC NO: UCP2012-1572 DRWN:BBARKER 2011/11/15 CHKD: APPR:SMILLER 2012/01/09	QUALITY SYMBOLS ▽=0 ▽=0 ▽=0	GENERAL TOLERANCES (UNLESS SPECIFIED)		DIMENSION STYLE MM ONLY		SCALE 3:1	DESIGN UNITS METRIC	THIRD ANGLE PROJECTION
		4 PLACES ± ---	± ---	mm	INCH	DRAWN BY JLONG	DATE 01-28-2005	STACKED SFP 2X2 MEDIUM HEIGHT ASS'Y, PRESS-FIT TAIL WITHOUT LIGHT PIPES MOLEX MOLEX INCORPORATED DOCUMENT NO. SD-75759-001
		3 PLACES ± ---	± ---			CHECKED BY JLONG	DATE 01-28-2005	
		2 PLACES ± 0.13	± ---			APPROVED BY RNELSON	DATE 02-15-2005	
1 PLACE ± 0.25	± ---			MATERIAL NO.				
		ANGULAR ± 5 °		DRAFT WHERE APPLICABLE MUST REMAIN WITHIN DIMENSIONS		SEE TABLE, SHT 1		SHEET NO. 2 OF 3
THIS DRAWING CONTAINS INFORMATION THAT IS PROPRIETARY TO MOLEX INCORPORATED AND SHOULD NOT BE USED WITHOUT WRITTEN PERMISSION								

BEZEL CUT-OUT CENTER SPACING DETAIL  
BEZEL THICKNESS: 0.8 - 2.6



DETAIL B  
SCALE 5:1  
CIRCUIT NUMBERING



SEE SHEET 1 EC NO: UCP2012-1572 TDRWIN:BARKER 2011/11/15 CHKD: APPR:SMILLER 2012/01/09	QUALITY SYMBOLS	GENERAL TOLERANCES (UNLESS SPECIFIED)	DIMENSION STYLE	SCALE	DESIGN UNITS	THIRD ANGLE PROJECTION
	▽=0	mm INCH	MM ONLY	3:1	METRIC	
	▽=0	4 PLACES ± --- ± ---	DRAWN BY DATE			
	▽=0	3 PLACES ± --- ± ---	JLONG 01-28-2005			
		2 PLACES ± 0.13 ± ---	CHECKED BY DATE			
		1 PLACE ± 0.25 ± ---	JLONG 01-28-2005			
		ANGULAR ± 5 °	APPROVED BY DATE			
			RNELSON 02-15-2005			
		DRAFT WHERE APPLICABLE MUST REMAIN WITHIN DIMENSIONS	MATERIAL NO.	DOCUMENT NO.	TITLE	
			SEE TABLE, SHT 1		STACKED SFP 2X2 MEDIUM HEIGHT ASS'Y, PRESS-FIT TAIL WITHOUT LIGHT PIPES	
			SIZE C		MOLEX INCORPORATED SD-75759-001	
					SHEET NO. 3 OF 3	