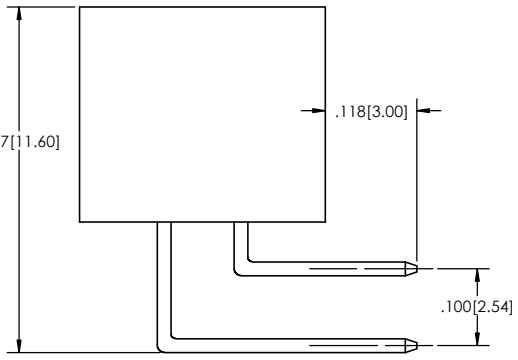
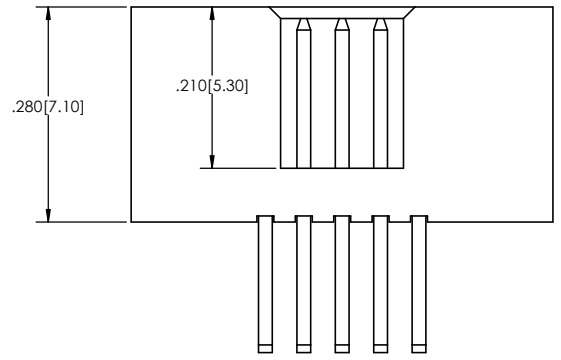
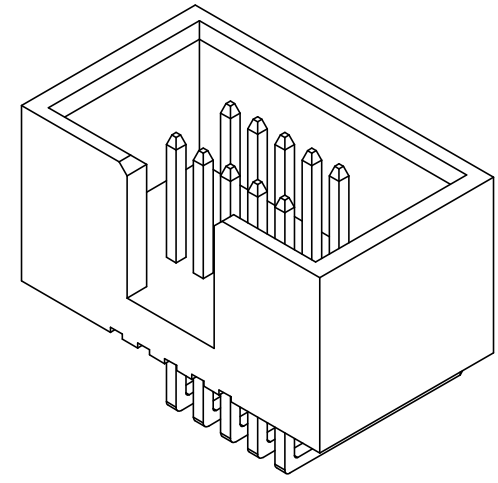
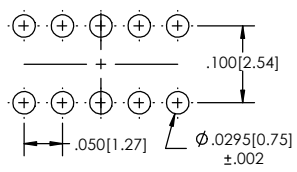


Recommended P.C. Board Layout
SCALE 8:1



SHTSR-6 **XX** - **D** - **02** - **XX** - **XXX** - **LF**
(A) (B) (C) (D) (E) (F)

- A. Pins Per Row
- 5 through 50
- B. Row Specification
- D= Double Row
- C. Style
- 02= Tail Length .126[3.2]
- D. Plating Options
- See Plating Options below
- E. Polarized Position
- Leave blank if not needed
- 010-100
- F. Lead Free

Mates With:
IDS-6

Plating options	
G	10μ Gold on Contact Area/ Flash on Tail
T	Matte Tin all Over
GT	10μ Gold on Contact Area/ Matte Tin on Tail
H	30μ Gold on Contact Area/ Matte Tin on Tail
F	Gold Flash over Entire Pin
FT	Gold Flash on Contact Area/ Matte Tin on Tail

Specifications:
Current Rating: 1.0 Ampere
Insulation Resistance: 1000M Ohms Min.
Dielectric Withstanding: 250V AC for one minute
Contact Resistance: 30M Ohms Max.
Operation Temperature: -40°C to +105°C

Materials:
Contact Material: Phosphor Bronze
Insulator Material: PBT, glass reinforced, rated UL 94V-0

Pins Per Row	A	B	C
05	0.549[13.95]	0.462[11.75]	0.200[5.08]
07	0.649[16.49]	0.563[14.29]	0.300[7.62]
08	0.699[17.76]	0.605[15.36]	0.350[8.89]
10	0.799[20.30]	0.713[18.10]	0.500[12.43]
13	0.949[24.11]	0.863[21.91]	0.600[15.24]
15	1.049[26.65]	0.963[24.45]	0.700[17.78]
17	1.149[29.19]	1.063[26.99]	0.800[20.32]
20	1.299[33.00]	1.213[30.80]	0.950[24.13]
25	1.549[39.35]	1.463[37.15]	1.200[30.48]
30	1.799[45.70]	1.713[43.50]	1.450[36.83]
34	1.999[50.78]	1.913[48.58]	1.650[41.91]
35	2.049[52.05]	1.963[49.85]	1.700[43.18]
40	2.299[58.40]	2.213[56.20]	1.950[49.53]
45	2.549[64.75]	2.463[62.55]	2.200[55.88]
50	2.799[71.10]	2.713[68.90]	2.450[62.23]

Tails may be clipped to achieve specific dimensions.

Products cut to specific sizes are uncancelable/ nonreturnable.
Parts are subject to change without notice.

ROHS COMPLIANT

PROPRIETARY AND CONFIDENTIAL
THE INFORMATION CONTAINED IN THIS DRAWING IS THE SOLE PROPERTY OF Major League Electronics. ANY REPRODUCTION IN PART OR AS A WHOLE WITHOUT THE WRITTEN PERMISSION OF Major League Electronics IS PROHIBITED.

UNLESS OTHERWISE SPECIFIED:		NAME	DATE
DIMENSIONS ARE IN INCHES		EOW	03/19/14
TOLERANCES:		CHECKED	GWE
ONE DECIMALS ±.100		ENG APPR.	
TWO DECIMAL ±.010		MFG APPR.	
THREE DECIMAL ±.005		ADDRESS:	
FOUR DECIMAL ±.002		2533 Centennial Blvd. Jeffersonville, IN 47130 Phone: 812-670-4174 Fax: 812-670-4175 E-Mail: mle@mllelectronics.com	
NEXT ASSY	USED ON	MATERIAL	
		FINISH	
APPLICATION	DO NOT SCALE DRAWING	TITLE: SHTSR-6 SERIES	

MAJOR LEAGUE Electronics

SIZE DWG. NO. **C** REV **A**

SCALE 8:1 SHEET 1 OF 1