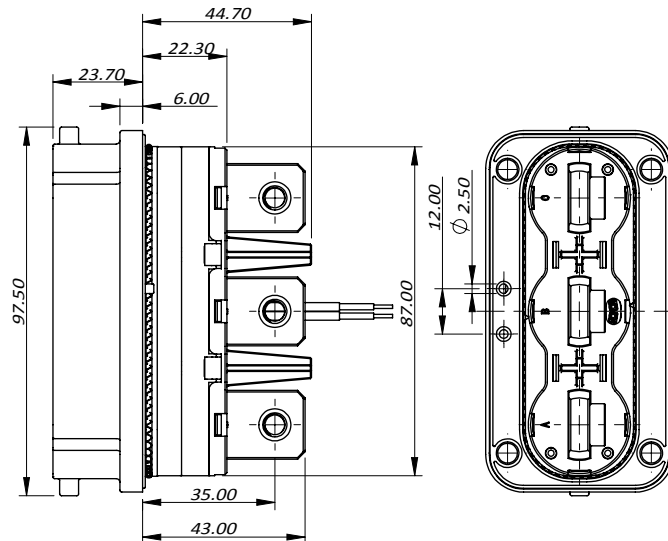
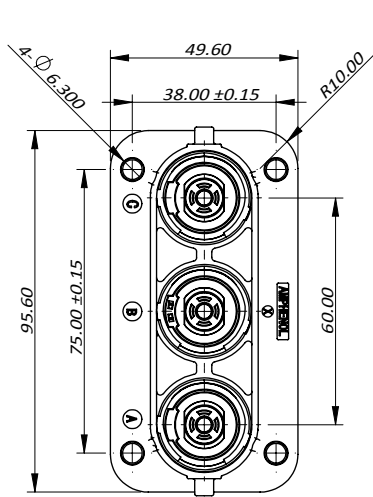


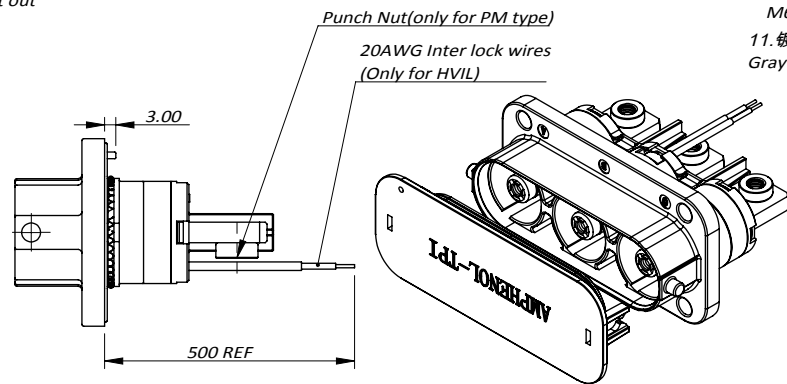
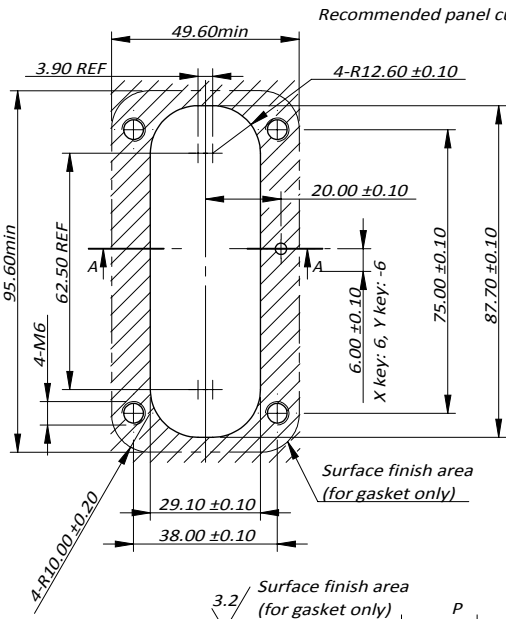
THIS DRAWING IS SUPPLIED FOR INFORMATION ONLY. DESIGN FEATURES, SPECIFICATIONS AND PERFORMANCE DATA SHOWN HEREON ARE THE PROPERTY OF THE AMPHENOL CORPORATION. NO RIGHTS OF REPRODUCTION ARE IMPLIED. ALL DIMENSIONS ARE SUBJECT TO NORMAL MANUFACTURING VARIATIONS.

CUSTOMER DRAWING

REVISIONS					
REV#	ECN#	REVISION ACTION	REV.BY:	APPR.BY:	DATE
A	--	INITIAL RELEASE	JX	JL	03/09/2020
B	--	Add H6/H8/PM8/M10 specifications and dust cap with o-ring	Star	JL	03/01/2021



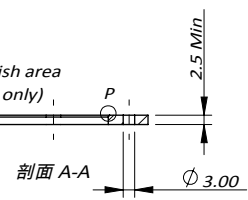
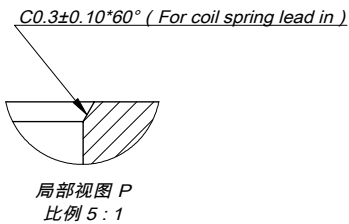
- 规格参数(Spec.):
1. 工作温度 Operating temperature : -40°C ~ +125°C.
 2. 带高压互锁 Electrical interlock (HVIL).
 3. 额定电流 Current rating:
Power: 300A; HVIL: 5A.
 4. 额定电压 Operating voltage:
Power: 1000 VDC; Signal: 60 VDC.
 5. 耐压 Dielectric withstanding voltage:
 - A. 与插座对插后, Pin与铁壳之间
When mated, between pin and metal shell: 5000 VDC.
 - B. 与插座对插后, Pin与HVIL之间
When mated, between pin and HVIL: 5000 VDC.
 - C. 与插座对插后, HVIL与铁壳之间
When mated, between HVIL and metal shell: 500 VDC.
 - D. 与插座对插前, 两个HVIL端子之间耐压
Before mating, between two HVIL terminals: 500 VDC.
 6. 防护等级 Protection class: Mated-IP6k9k & IP67, unmated-IP2X.
 7. 电磁屏蔽 360° full Shielding.
 8. 机械寿命 Mating cycle: 100 Min.
 9. 推荐法兰盘螺丝安装扭矩 Recommended Screw Assembly Torque on Flange : 6.2~7.6Nm
 10. 推荐铜排安装扭矩 Recommended Fasten Torque on Lug:
M6: 3.6~4.4Nm, M8: 7.2~8.8Nm, M10: 17.1~20.9Nm
 11. 镀锌/锌镍合金, 符合RoHS, 满足500H中性盐雾实验
Gray Zinc/Nickel(ZnNi)Plating, RoHS compliant, Rated at 500hours salt spray.



订购信息 Ordering Information
 PL083 X - 30 1 - 10 PM 6 - 2

Key and Color	HVIL	Hole Type	Hole Size
"X", Orange	"0", NO HVIL	"D", through hole	
"Y", Black	"1", With HVIL	"M", thread hole	
		"H", slot hole	
		"PM", punched nut	

	Amphenol Technical Products International Asia.					PART NAME: PL10mm G2 3POS Rcpt Lug
	第三角投影 THIRD ANGLE PROJECTION	页面 SHEET	幅面 SIZE	版次 REV.	比例 SCALE	
签名 SIGNATURE	日期 DATE	UNLESS OTHERWISE SPECIFIED 1) All dimensions are in metric(mm). 2) Tolerances are as follows: 1.PL DEC ± 1.00 2.PL DEC ± 0.50 3.PL DEC ± 0.20			CUST PART #	CUST REV.
制图 DRAWN	审核 CHECKED	批准 APPROVAL	Angles ±1°			



THIS DRAWING IS SUPPLIED FOR INFORMATION ONLY. DESIGN FEATURES, SPECIFICATIONS AND PERFORMANCE DATA SHOWN HEREON ARE THE PROPERTY OF THE AMPHENOL CORPORATION. NO RIGHTS OF REPRODUCTION ARE IMPLIED. ALL DIMENSIONS ARE SUBJECT TO NORMAL MANUFACTURING VARIATIONS.

1	2	3	4	5	6	7	8			
Table 1		REVISIONS								
型号	AC P/N				REV#	ECN#	REVISION ACTION	REV.BY:	APPR.BY:	DATE
PL083X-300-10M6-2	AC-HA011048				A	--	INITIAL RELEASE	JX	JL	03/09/2020
PL083Y-300-10M6-2	AC-HA011049				B	--	Add H6/H8/PM8/M10 specifications and dust cap with o-ring	Star	JL	03/01/2021
PL083X-300-10M8-2	AC-HA011050									
PL083Y-300-10M8-2	AC-HA011051									
PL083X-300-10D6-2	AC-HA011054									
PL083Y-300-10D6-2	AC-HA011055									
PL083X-300-10D8-2	AC-HA011056									
PL083Y-300-10D8-2	AC-HA011057									
PL083X-300-10D10-2	AC-HA011058									
PL083Y-300-10D10-2	AC-HA011059									
PL083X-301-10M6-2	AC-HA011060									
PL083Y-301-10M6-2	AC-HA011061									
PL083X-301-10M8-2	AC-HA011062									
PL083Y-301-10M8-2	AC-HA011063									
PL083X-301-10D6-2	AC-HA011066									
PL083Y-301-10D6-2	AC-HA011067									
PL083X-301-10D8-2	AC-HA011068									
PL083Y-301-10D8-2	AC-HA011069									
PL083X-301-10D10-2	AC-HA011070									
PL083Y-301-10D10-2	AC-HA011071									
PL083X-300-10PM6-2	AC-HA011981									
PL083Y-300-10PM6-2	AC-HA011982									
PL083X-301-10PM6-2	AC-HA011983									
PL083Y-301-10PM6-2	AC-HA011984									
PL083X-300-10H6-2	AC-HA017473									
PL083Y-300-10H6-2	AC-HA017474									
PL083X-300-10H8-2	AC-HA017475									
PL083Y-300-10H8-2	AC-HA017476									
PL083X-300-10PM8-2	AC-HA017477									
PL083Y-300-10PM8-2	AC-HA017478									
PL083X-301-10H6-2	AC-HA017479									
PL083Y-301-10H6-2	AC-HA017480									
PL083X-301-10H8-2	AC-HA017481									
PL083Y-301-10H8-2	AC-HA017482									
PL083X-301-10PM8-2	AC-HA017483									
PL083Y-301-10PM8-2	AC-HA017484									
PL083X-300-10M10-2	AC-HA011052									
PL083Y-300-10M10-2	AC-HA011053									
PL083X-301-10M10-2	AC-HA011064									
PL083Y-301-10M10-2	AC-HA011065									

		Amphenol Technical Products International Asia.							
		第三角投影 THIRD ANGLE PROJECTION	页面 SHEET	幅面 SIZE	版次 REV.	比例 SCALE	PART NAME: PL10mm G2 3POS Rcpt Lug		
		2 OF 2	A4	C	--				
签名 SIGNATURE		日期 DATE		UNLESS OTHERWISE SPECIFIED			DWG NO:		
制图 DRAWN		Star		03/01/2021		1) All dimensions are in metric(mm). 2) Tolerances are as follows:			
审核 CHECKED						1.PL DEC ± 1.00 2.PL DEC ± 0.50 3.PL DEC ± 0.20			
批准 APPROVAL						Angles ±1°		CUST PART #	
						CUST REV.			