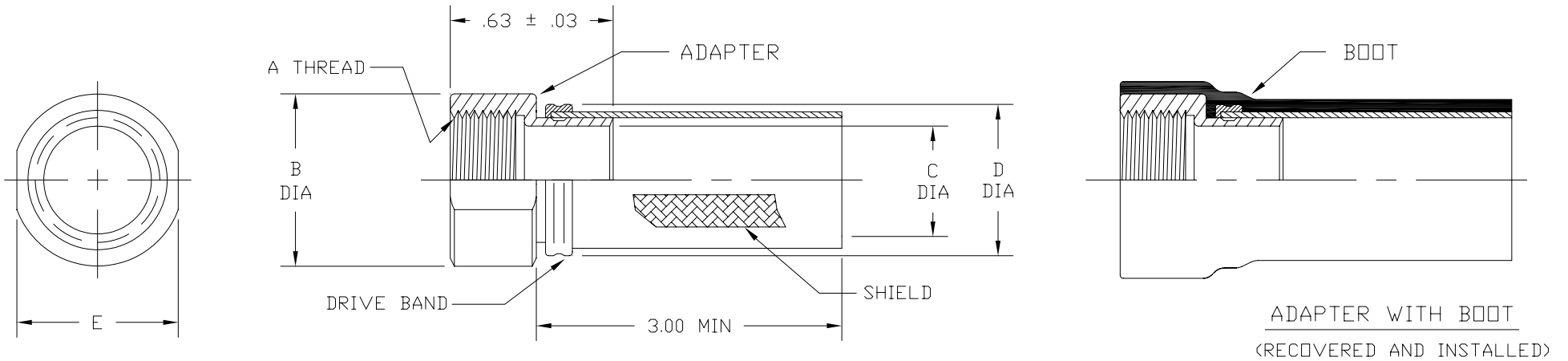


NOTES:

- ASSEMBLY IDENTIFICATION PER MIL-STD-130
- MATERIALS:
 ADAPTER: QQ-A-225/3, T3 OR QQ-A-225/6, T4.
 DRIVE BAND: QQ-A-225/8, T0.
 SHIELD: TINNED COPPER 36 GAUGE PER QQ-B-575
- FINISH:
 ADAPTER: ELECTRO-TIN PER MIL-T-10727, TYPE I, .0003 INCH MINIMUM THICKNESS.
 DRIVE BAND: CHEM FILM PER MIL-C-5541.
- ELECTROFORMED SHIELD ADAPTER/DRIVE BAND JOINT SHALL BE CAPABLE OF WITHSTANDING 200 POUND TENSILE PULL.
- THREADED ADAPTER SHALL CONTAIN THE LSS PART NUMBER.

REVISIONS		
LTR	DESCRIPTION	DATE
A	INITIAL RELEASE PER DCR NO. R060614	01/04/07



RAYCHEM ADAPTER							RAYCHEM BOOT
PART DESCRIPTION/RPN	SHELL SIZE	A THREAD, R.H. CLASS 2B	B $\pm .02$ [.5]	C $\pm .01$ [.3]	D REF.	E $\pm .02$ [.5]	PART DESCRIPTION/RPN
1-LSS-26-10A 095878-000	10	.562 - 24 UNEF	.69 [17.5]	.44 [11.1]	.66 [16.8]	.64 [16.2]	202D221-4-26-0 808828-000

If this document is printed it becomes uncontrolled. Check for the latest revision

SPECIFICATION CONTROL DRAWING

© 2007 Tyco Electronics Corporation. All rights reserved.		Tyco Electronics Corporation 300 Constitution Drive Menlo Park, CA. USA 94025				
UNLESS OTHERWISE SPECIFIED DIMENSIONS ARE INCHES. METRIC DIMENSIONS ARE IN BRACKETS.		DRAWN U. NGUYEN	DATE 01/04/07	TITLE		
DECIMAL TOLERANCES		CAD FILE		EMF SHIELD ADAPTER WITH THERMOFIT BOOT FOR MIL-C-26482 CONNECTORS		
.XXX \pm 0.005 [0.13 mm]		R060614		SIZE	CODE IDENT NO.	DWG. NO.
.XX \pm 0.01 [0.25 mm]		RPN		A	06090	LSS-26-10A
.X \pm 0.1 [0.50 mm]		THIRD ANGLE PROJECTION		DO NOT SCALE THIS DRAWING		
ANGLE TOLERANCE				SHEET 1 OF 1		
.X \pm 1 DEG.						