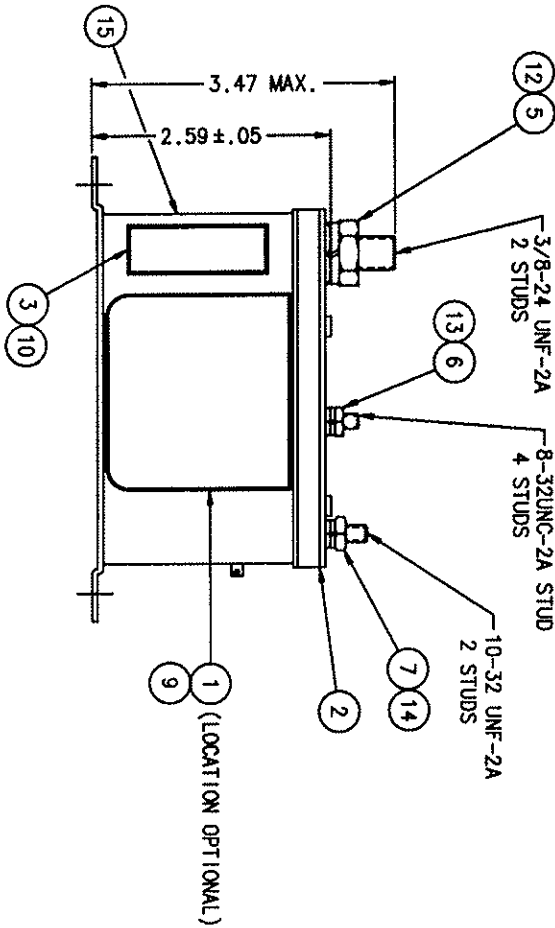
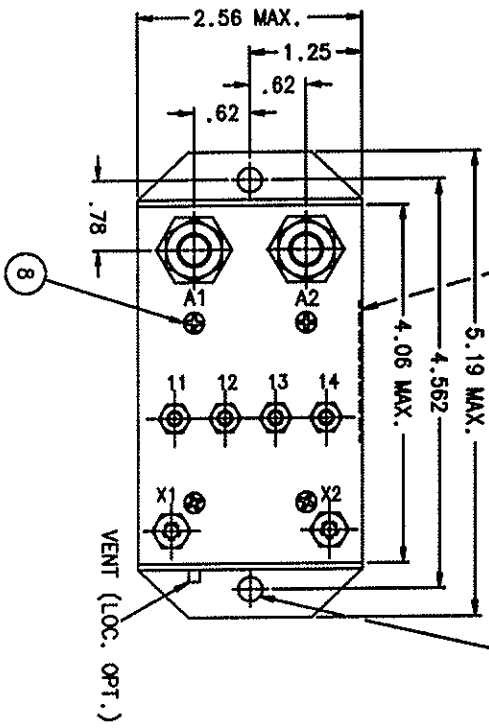


FAA/PMA

A-703E

| REV. | DATE | APPROVED |
|------|----------|----------|
| K | 90/05/31 | JD |
| L | 96/10/31 | RS |

111 4 LOCATION OPTIONAL
 .266 +.010 DIA. HOLE
 -.000
 2 MTC. HOLES



NOTES:
 1. THIS UNIT MEETS THE APPLICABLE PORTIONS OF MIL-R-6106.
 2. FINISH REMOVED FROM MTG. SURFACE.

CONSTRUCTION
 MAIN CONTACTS
 VOLTAGE (NOMINAL)
 CURRENT:
 SPST N.O.
 28 VDC
 400 AMP FOR 30 SEC.
 1000 AMP INRUSH
 1500 AMP INRUSH

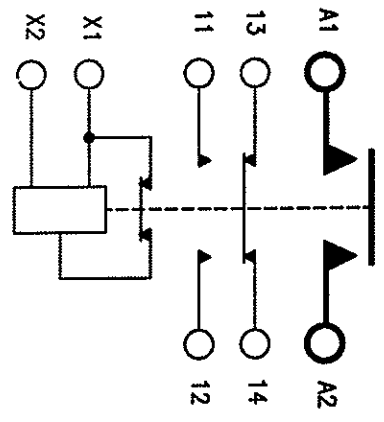
AUXILIARY CONTACTS
 CONFIGURATION
 VOLTAGE
 CURRENT: RES.
 FORM Z
 28VDC
 5 AMP

COIL DATA
 DUTY CYCLE
 NOMINAL VOLTAGE
 PICKUP AT 25°C
 DROPOUT VOLTAGE
 RESISTANCE AT 25°C
 PICKUP
 HOLD

ENVIRONMENTAL DATA
 AMBIENT TEMP.
 LIFE ELECTRICAL
 LIFE MECHANICAL
 WEIGHT MAX. (EST.)

GASKET SEALED (VENTED)
 CONTINUOUS, ECONOMIZING
 24-30 VDC
 16 VDC MAX
 1 - TV
 ±20%
 16 OHM
 91 OHM

ENVIRONMENTAL DATA
 -55°C TO +71°C
 50,000 CYCLES MIN.
 100,000 CYCLES
 2 LBS. 2 OZ.



| NO | QTY | IDENTIFYING NO | PART OR IDENTIFYING NO | DESCRIPTION | QUANTITY OR DESCRIPTION | FORM NO | DRAWING OR SPECIFICATION | MATERIAL OR NOTE |
|----|-----|----------------|------------------------|-------------------------------|-------------------------|---------|--------------------------|------------------|
| 15 | 1 | | 37903-010 | CONTACTOR ASST. - PRIMARY | | | | BRONZE |
| 14 | 2 | | 51810-054 | WASHER LOCK #10 X .082 X .047 | | | | BRONZE |
| 13 | 4 | | 51808-084 | WASHER LOCK #8 X .307 X .047 | | | | BRONZE |
| 12 | 2 | | 51807-084 | WASHER LOCK 3/8 X .698 X .094 | | | | BRONZE |
| 11 | 1 | | 39529-044 | OVERLAY | | | | |
| 10 | 1 | | 39529-024 | OVERLAY | | | | |
| 9 | 1 | | 39529-001 | OVERLAY | | | | |
| 8 | 4 | | 51200-020 | SCREW #4 X 1/4 SHEETMETAL | | | | S.S. |
| 7 | 2 | | 50410-084 | NUT 10-32 3/8 X 1/8 HEX. | | | | BRASS |
| 6 | 4 | | 50408-034 | NUT 8-32 X 5/16 X 3/32 HEX. | | | | BRASS |
| 5 | 2 | | 50407-164 | NUT 3/8-24 X 5/8 X 7/32 HEX. | | | | BRASS |
| 4 | 1 | | 32692-001 | PLATE - WIRING DIAGRAM | | | | |
| 3 | 1 | | 58400-007 | PLATE - FAA/PMA | | | | |
| 2 | 1 | | 32552-002 | PLATE - BASE COVER | | | | |
| 1 | 1 | | 16043-001 | NAME PLATE | | | | |

| UNLESS OTHERWISE SPECIFIED DIMENSIONS ARE IN INCHES TOLERANCES ON | 2 PL DEC'S PL DEC' ANGLES | *.06 | *.010 | * 1° |
|---|---------------------------|-----------|-------|------|
| MATERIAL | | | | |
| CHK BY | CSF | 196/11/19 | | |
| ENGR | DM | 96/11/25 | | |
| MFG | W | 96/11/25 | | |
| RELEASE | | | | |
| CONTR NO. | | | | |
| GOVT APPVL | | | | |

HARTMAN ELECTRICAL MANUFACTURING
 MASSFIELD, OHIO

KLC/KBT
 400 AMP, 28 VOLTS

SIZE CODE 105BT DWG NO. C 74063 A-703E
 SCALE NONE SHEET